
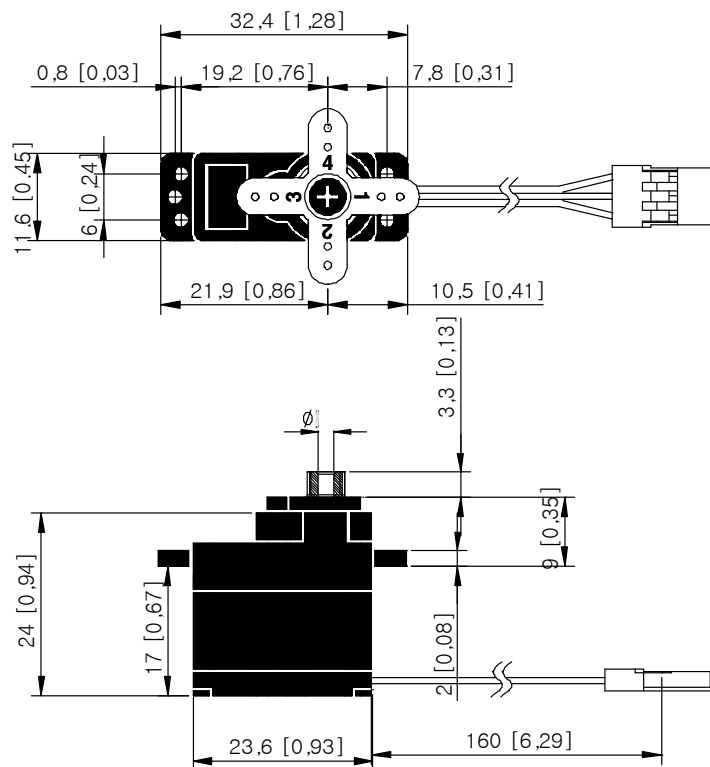


HS-65HB General Specification.



MIGHTY FEATHER SERVO

Control system	PWM			-	
Position sensor type	Contact Analog Potentiometer			-	
Operating voltage range	4.8 ~ 6.0 V			-	
Motor type	Cored Metal Brush			-	
Voltage	4.8V	6.0V	-	At 25°C, 45% (±10%) measurement environment	
No load speed	0.14sec/60°	0.11sec/60°	-		
Stall torque	1.8 kgf·cm(25.0 oz-in)	2.2 kgf·cm(30.55oz-in)	-		
Standing current	8.0mA	8.0mA	-		
No load running current	180mA	220mA	-		
Stall current	960mA	1,200mA	-		
Dead band width	5usec	5usec	-		
Operating travel	40°/One side pulse traveling 400usec				-
Operating temperature range	-20°C ~ +60°C (-4°F ~ +140°F)				-
Vibrations at no load	-				-
Storage temperature range	-30°C ~ +80°C (-31°F ~ +176°F)			-	
Connector wire length	160mm(6.3 inch)				
Connector wire gauge	28AWG				
Dimensions	23.6 mm x 11.6 mm x 24.0 mm (0.93inch x 0.46inch x 0.94inch)			-	
Weight	11.2 g(0.4 oz)			-	
Ball bearing	Single Ball Bearing			-	
Case material	Engineering Plastic			-	
Gear material	1 Heavy Duty Resin			-	
Gear train backlash	Max 0.5°			-	
Horn gear spline	M25T(Ø5)			-	
IP rate	-			-	
Servo Amplifier type	Analog Contorller			-	
Features	-			-	
Applications	-			-	



1:1 scale (unit : mm)

