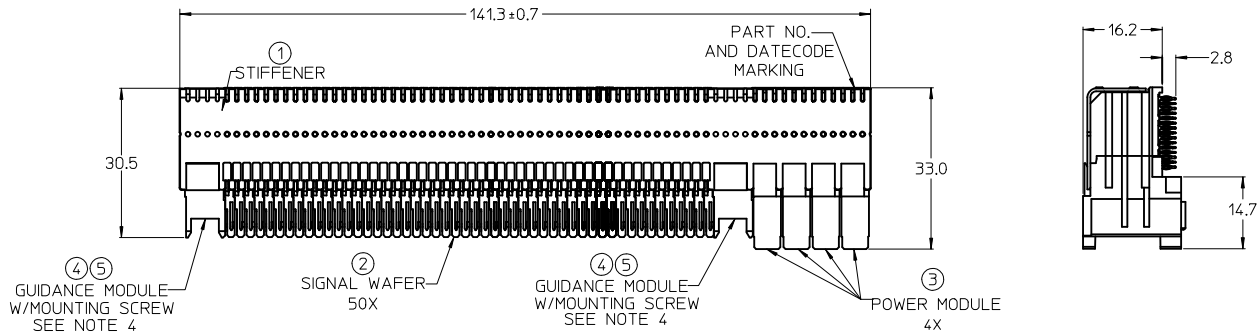


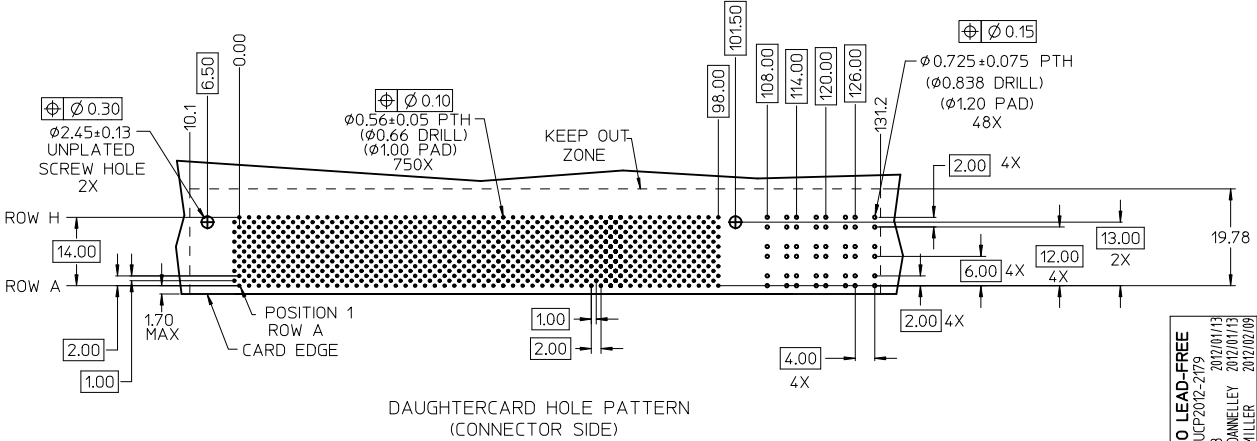
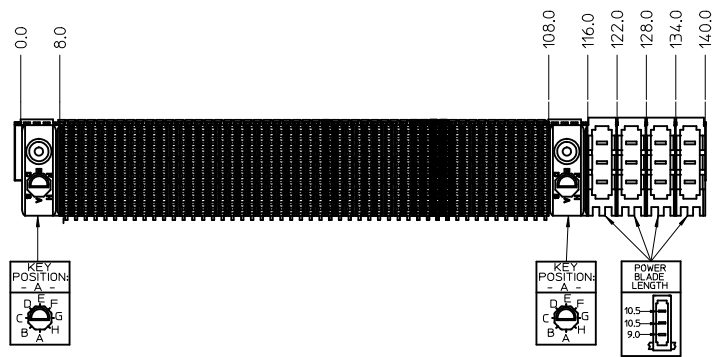
CUSTOMER: ELLACOYA



NOTES:

1. MATERIALS: HOUSING : LIQUID CRYSTAL POLYMER (LCP) GLASS-FILLED, UL94V-0, BLACK. TERMINALS: COPPER ALLOY STIFFENER: STAINLESS STEEL
2. FINISH: SELECTIVE GOLD (Au) 0.76 micrometer MINIMUM IN CONTACT AREA, SELECTIVE MATTE TIN (Sn) IN TAIL AREA, NICKEL (Ni) UNDERPLATE OVERALL.
3. REFER TO MOLEX PRODUCT SPECIFICATION PS-74031-999 FOR PERFORMANCE SPECIFICATIONS.
4. PARTS TO BE PACKAGED PER PK-70873-5041. SCREWS PACKED IN BAG INSIDE TUBE.
5. THIS PART CONFORMS TO CLASS 'B' REQUIREMENTS OF MOLEX COSMETIC SPECIFICATION PS-45499-002.
6. REFER TO MOLEX DOCUMENT SD-74041-002 FOR ADDITIONAL DETAIL ON THE SIGNAL WAFER.
7. REFER TO MOLEX DOCUMENT SD-74037-006 FOR ADDITIONAL DETAIL ON THE GUIDANCE MODULE.
8. REFER TO MOLEX DOCUMENT SD-75885-002 FOR ADDITIONAL DETAIL ON THE LEAD-FREE POWER MODULE.
9. LABEL MARKED WITH MOLEX PART NUMBER AND DATE CODE. LABEL MAY BE REPLACED WITH LASER MARKING ON THE STIFFENER.

LEAD-FREE
PLATING



ITEM	PART NUMBER	PART DESCRIPTION	QTY
1	74046-0141	STIFFENER	1
2	74041-1001	SIGNAL WAFER, LF	50
3	75885-8233	POWER MODULE, LF	4
4	74037-8001	GUIDANCE MODULE - KEY 'A'	2
5	73726-0000	GUIDE MODULE MNTG SCREW	2

CHG TO LEAD-FREE EC NO: UCP202-2179 DRAWING: 2012/01/13 CHKD: SMILLER 2012/01/13 APPR: SMILLER 2012/02/09 REV:	QUALITY SYMBOLS	GENERAL TOLERANCES (UNLESS SPECIFIED)	DIMENSION STYLE	SCALE	DESIGN UNITS	THIRD ANGLE PROJECTION
	∇=0 ∇=0 ∇=0	mm INCH 4 PLACES ±---+--- 3 PLACES ±---+--- 2 PLACES ±0.25+--- 1 PLACE ±0.38+--- ANGULAR ±1/2°	MM ONLY	2:1	METRIC	TITLE: VHDM 8 ROW, LF DAUGHTERCARD SALES DRAWING MOLEX INCORPORATED
	DRAFT WHERE APPLICABLE MUST REMAIN WITHIN DIMENSIONS	MATERIAL NO. 74040-1106	DOCUMENT NO. SD-74040-1106	SHEET NO. 1 OF 1		
	THIS DRAWING CONTAINS INFORMATION THAT IS PROPRIETARY TO MOLEX INCORPORATED AND SHOULD NOT BE USED WITHOUT WRITTEN PERMISSION					