

# RC-09P1N122300 - Device connector front mounting



1594922

<https://www.phoenixcontact.com/us/products/1594922>

Please be informed that the data shown in this PDF document is generated from our online catalog. Please find the complete data in the user documentation. Our general terms of use for downloads are valid.



M23, Device connector front mounting, series: RC, straight, shielded: yes, Screw locking mechanism, No. of pos.: 8+1, Direction of rotation: Standard, contact connection type: Pin, Solder cup, Flat gasket, 4x Ø 3.2, coding: N, Alternative product in accordance with RoHS II without Exemption 6c (Pb <0.1%) item no.: 1240557

## Commercial data

|                                      |               |
|--------------------------------------|---------------|
| Item number                          | 1594922       |
| Packing unit                         | 1 pc          |
| Minimum order quantity               | 1 pc          |
| Sales key                            | AB31          |
| Product key                          | ABRAFL        |
| GTIN                                 | 4046356204125 |
| Weight per piece (including packing) | 32.707 g      |
| Weight per piece (excluding packing) | 30.3 g        |
| Customs tariff number                | 85366990      |
| Country of origin                    | DE            |

# RC-09P1N122300 - Device connector front mounting



1594922

<https://www.phoenixcontact.com/us/products/1594922>

## Technical data

### Product properties

|              |                                   |
|--------------|-----------------------------------|
| Product type | Circular connectors (device side) |
|--------------|-----------------------------------|

### Connector

#### Insulating body

|                                                     |                      |
|-----------------------------------------------------|----------------------|
| Coding                                              | N                    |
| Insertion/withdrawal cycles                         | 50                   |
| Connection method                                   | Solder cup           |
| Contact switching type                              | Pin                  |
| Application                                         | Signal               |
| Number of positions                                 | 9                    |
| Direction of rotation                               | Standard             |
| Connection profile                                  | 8+1                  |
| Contact diameter <b>Power contacts</b>              | 2 mm                 |
| Litz wire cross-section <b>Power contacts</b> min.  | 0.08 mm <sup>2</sup> |
| Litz wire cross-section <b>Power contacts</b> max.  | 2.5 mm <sup>2</sup>  |
| Rated current <b>Power contacts</b>                 | 20 A                 |
| Rated voltage                                       | 48 V AC<br>74 V DC   |
| Rated surge voltage                                 | 1.5 kV               |
| Overvoltage category                                | III                  |
| Degree of pollution                                 | 3                    |
| Contact diameter <b>Signal contacts</b>             | 1 mm                 |
| Litz wire cross-section <b>Signal contacts</b> min. | 0.08 mm <sup>2</sup> |
| Litz wire cross-section <b>Signal contacts</b> max. | 1 mm <sup>2</sup>    |
| Nominal current per signal contact                  | 8 A                  |

#### Housing

|                                   |                         |
|-----------------------------------|-------------------------|
| Housing material                  | Metal                   |
| Type of locking                   | Screw locking mechanism |
| Pg screw connection               | none                    |
| Degree of protection (plugged in) | IP67                    |
| Thread type                       | M23                     |

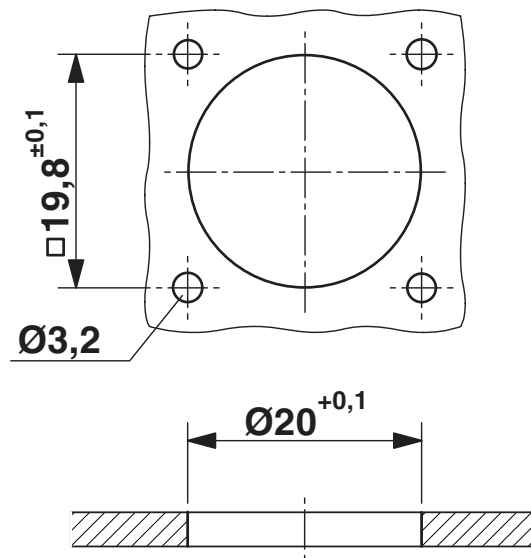
# RC-09P1N122300 - Device connector front mounting

1594922

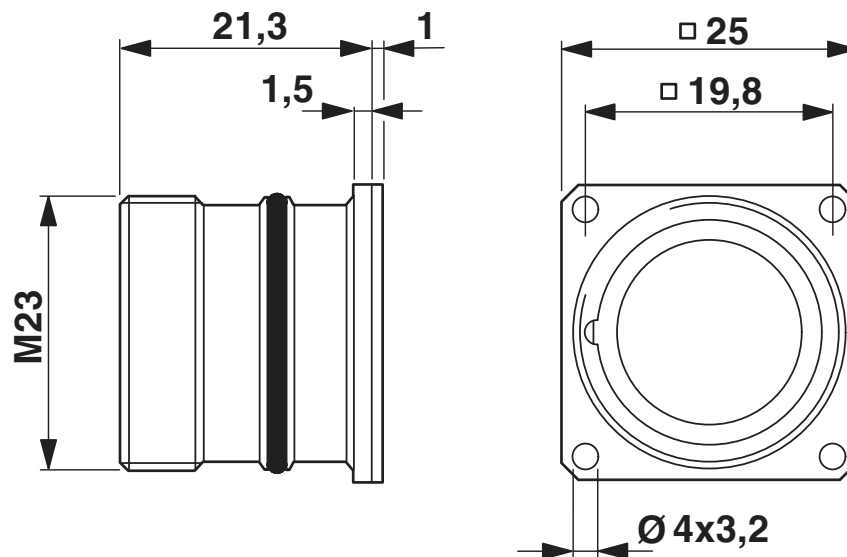
<https://www.phoenixcontact.com/us/products/1594922>

## Drawings

Dimensional drawing



Dimensional drawing



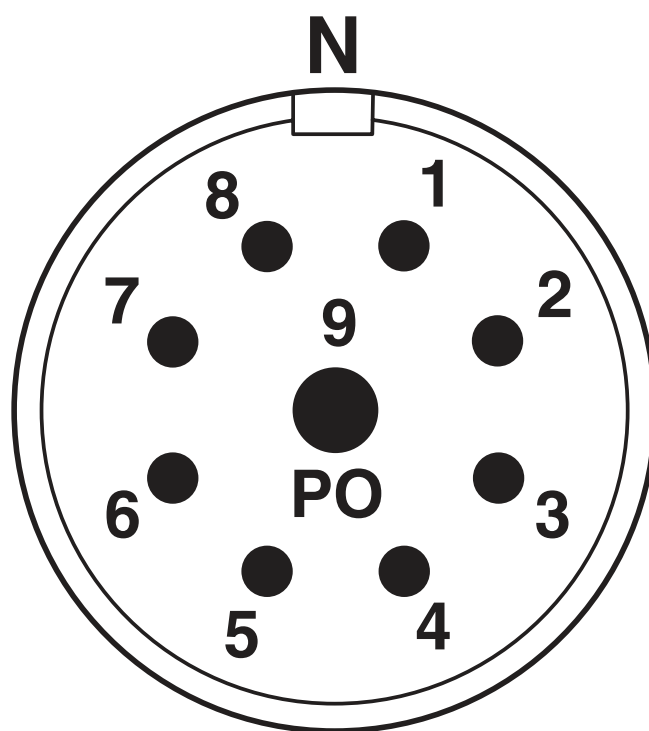
# RC-09P1N122300 - Device connector front mounting



1594922

<https://www.phoenixcontact.com/us/products/1594922>

Schematic diagram



1594922

<https://www.phoenixcontact.com/us/products/1594922>

## Classifications

### ECLASS

|             |          |
|-------------|----------|
| ECLASS-11.0 | 27440102 |
| ECLASS-12.0 | 27440116 |
| ECLASS-13.0 | 27440116 |

### ETIM

|          |          |
|----------|----------|
| ETIM 8.0 | EC002635 |
|----------|----------|

### UNSPSC

|             |          |
|-------------|----------|
| UNSPSC 21.0 | 39121400 |
|-------------|----------|

# RC-09P1N122300 - Device connector front mounting



1594922

<https://www.phoenixcontact.com/us/products/1594922>

## Environmental product compliance

|            |                                                                                                              |
|------------|--------------------------------------------------------------------------------------------------------------|
| REACH SVHC | Lead 7439-92-1                                                                                               |
| China RoHS | Environmentally Friendly Use Period = 50 years                                                               |
|            | For information on hazardous substances, refer to the manufacturer's declaration available under "Downloads" |

Phoenix Contact 2023 © - all rights reserved

<https://www.phoenixcontact.com>

Phoenix Contact USA  
586 Fulling Mill Road  
Middletown, PA 17057, United States  
(+717) 944-1300  
[info@phoenixcon.com](mailto:info@phoenixcon.com)