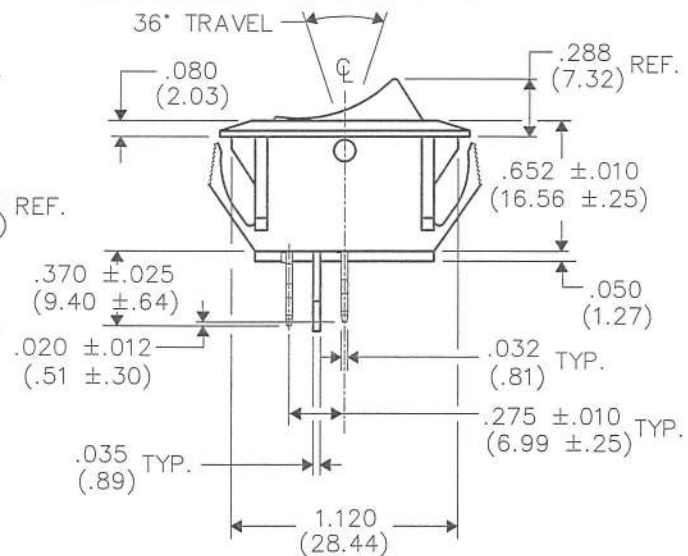
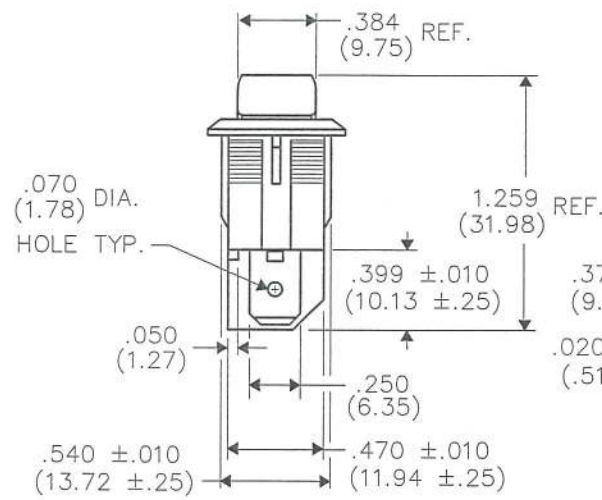
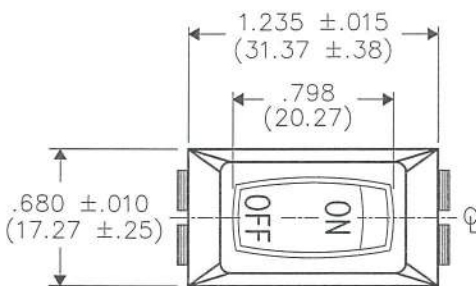
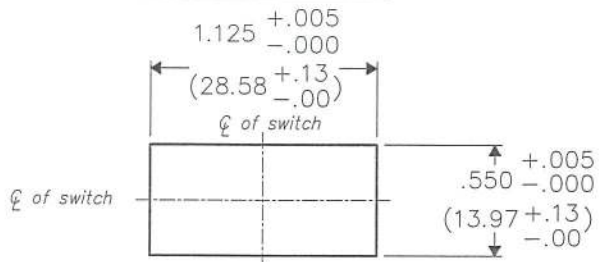


THIS INFORMATION IS CONFIDENTIAL AND PROPRIETARY TO CW INDUSTRIES INCORPORATED AND ITS AFFILIATES. IT MAY NOT BE DISCLOSED TO ANYONE OTHER THAN CW INDUSTRIES PERSONNEL, WITHOUT WRITTEN AUTHORIZATION FROM CW INDUSTRIES INCORPORATED, SOUTHAMPTON, PENNSYLVANIA USA.

DIMENSIONS IN INCHES (MILLIMETERS)
DO NOT SCALE DRAWING

Dwg. No.
GRS-2011-2055

PANEL PIERCING



SWITCH COLOR - White
LEGEND COLOR - Gold

SWITCH RATINGS:
UL & CSA
16A. 125VAC 12A. 250VAC
3/4 H.P. 125-250 VAC
10A. 14V (T)

1 2 3 4 5 6 7 8 9 10

B-FORMAT 2002	REVISIONS	

CW INDUSTRIES Southampton, Pa. 18966	
TOLERANCES UNLESS OTHERWISE SPECIFIED	
2 Place Decimal ±.010	METRIC
3 Place Decimal ±.005	1 Place Dec. ±.25mm
Angles ±1°	2 Place Dec. ±.13mm
Made for: CW IND.	Division:
Drawn by: DGW 7-01-13	SWITCH
Checked by: <i>G.Guld 7-2-13</i>	Dwg. No.
Approval: <i>G.Guld 7-2-13</i>	GRS-2011-2055

Title: **ROCKER SWITCH ASSEMBLY S.P.S.T.**
NON-POLARIZED W/BARRIER
1.125" x .550" PANEL

MASTER