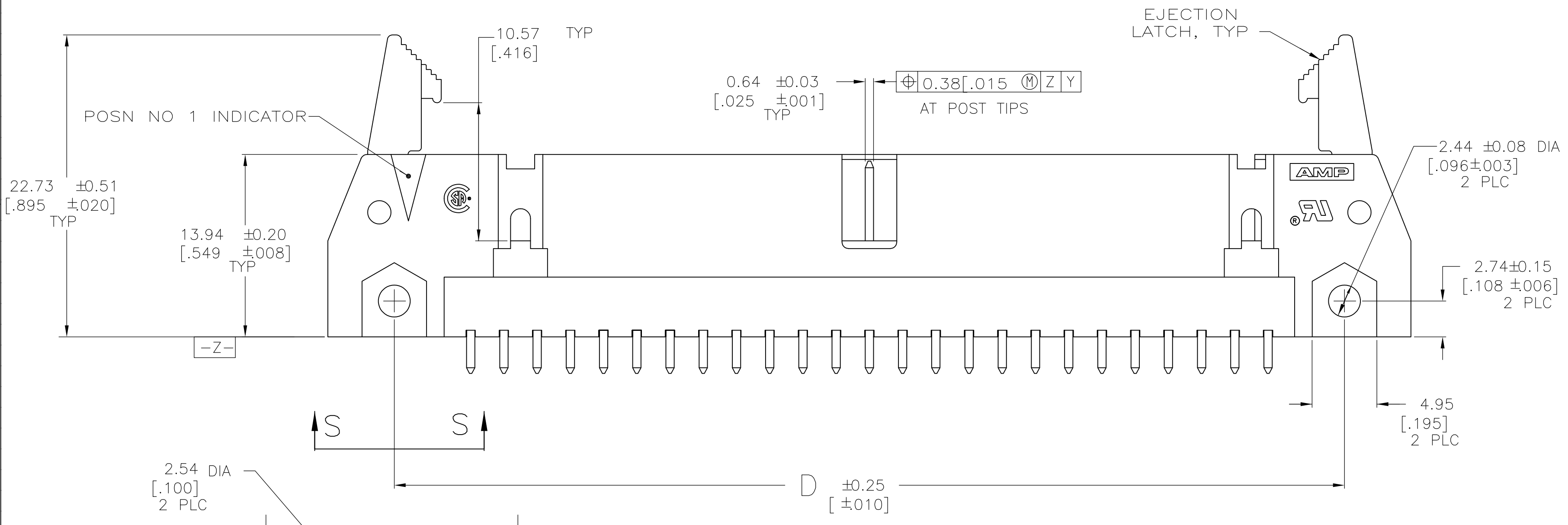
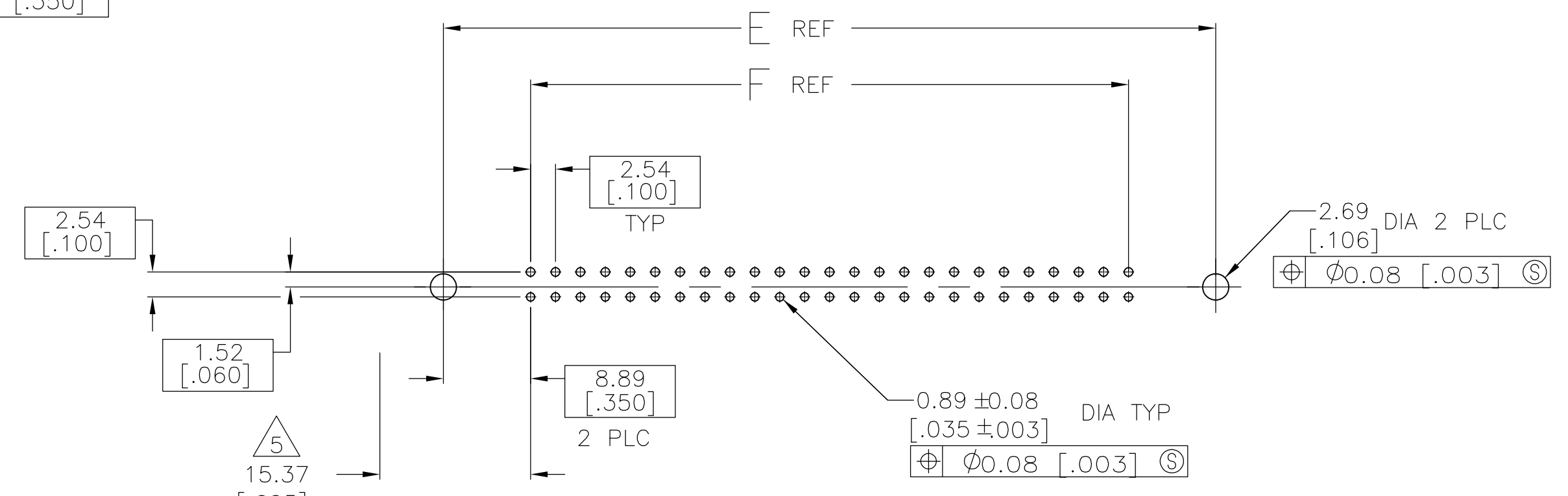


EJECTION LATCHES OMITTED IN THIS VIEW FOR CLARITY

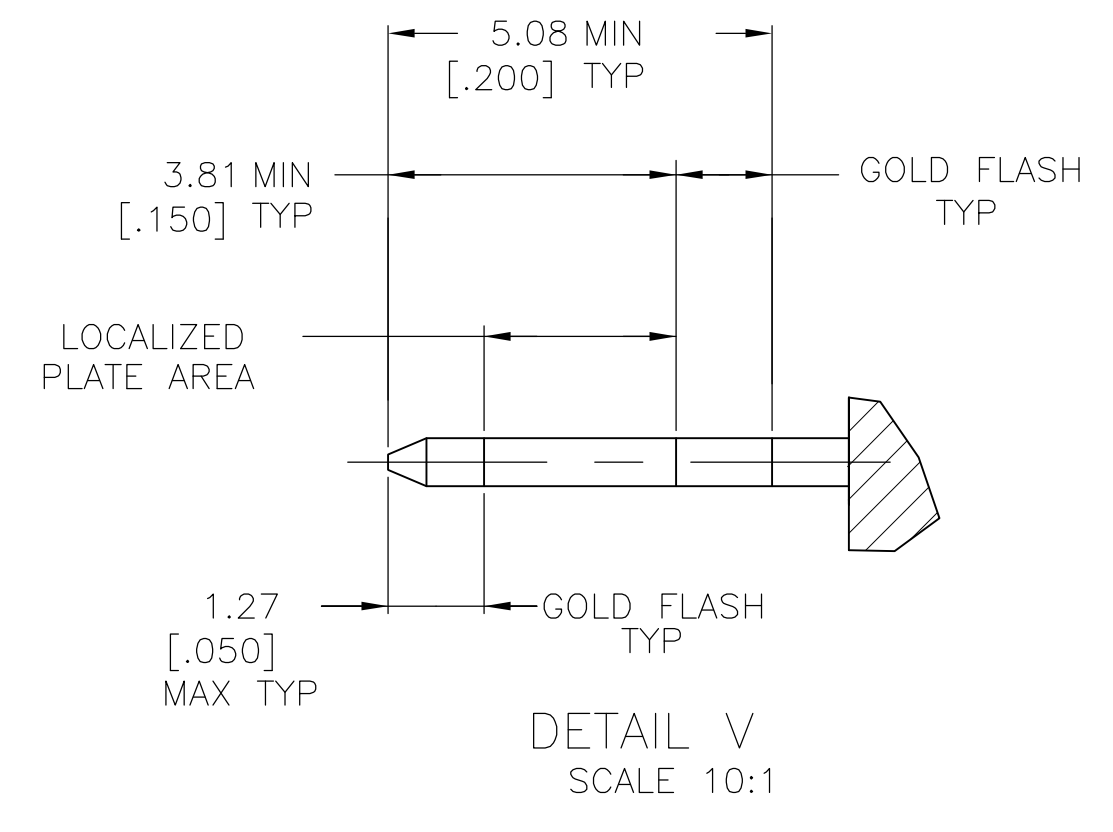


VIEW S-S

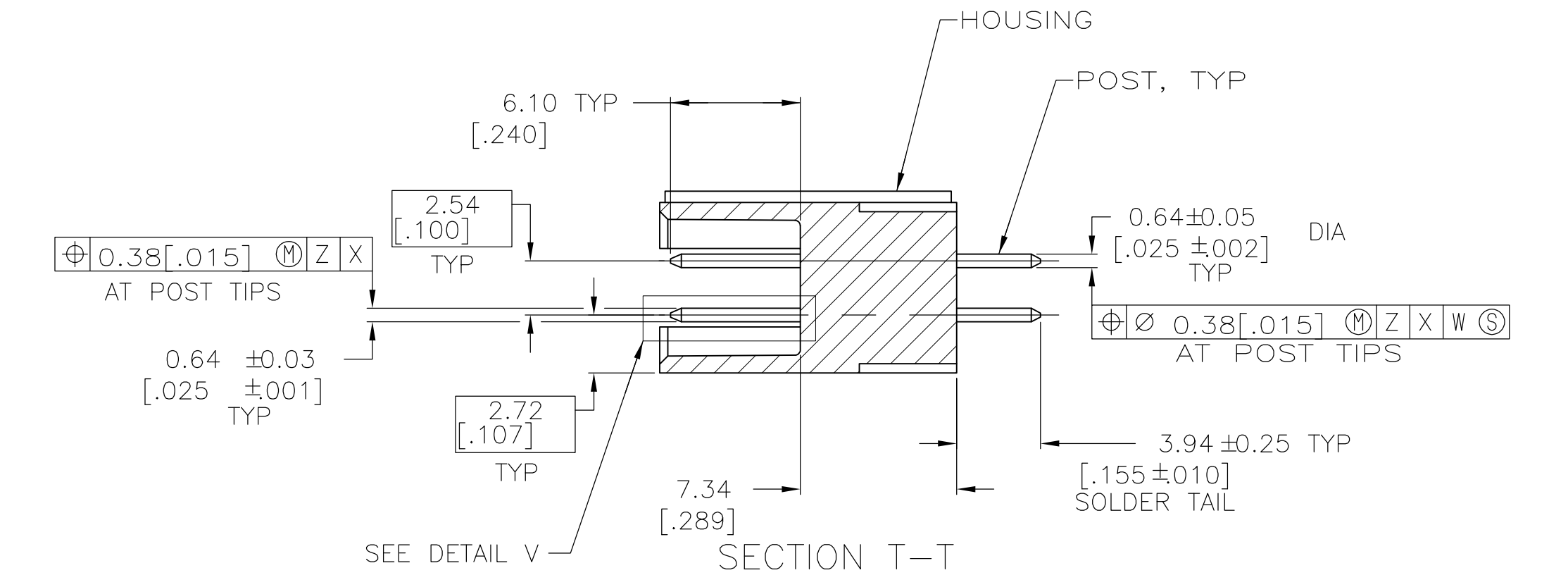
VIEW S-S



RECOMMENDED PC BOARD MOUNTING DIMENSIONS SCALE 2:1



DETAIL V SCALE 10:1



SECTION T-T

- 1 COORDINATE DIMENSION APPLIES FROM BASIC LOCATION.
- 2 10 AND 14 POSITION SIZES CONTAIN ONLY ONE SLOT FOR SNAP-IN POLARIZER (MILITARY POLARIZATION) LOCATED AS SHOWN.
- 3 10 POSITION SIZES CONTAIN ONLY ONE SLOT FOR DUAL POLARIZATION, LOCATED AS SHOWN.
- 4 RECOMMENDED PRINTED CIRCUIT BOARD THICKNESS IS 3.18 [.125].
- 5 DISTANCE REQUIRED BY EJECTION LATCHES IN THE OPEN POSITION.
- 7 MOLDED PARTS: GLASS FILLED NYLON OR POLYESTER, 94V-0 RATED; BLACK. POSTS: PHOSPHOR BRONZE OR BRASS.
- 8 POSTS: GOLD FLASH OVER PALLADIUM-NICKEL PLATE 0.38µm [.000015] MIN TOTAL ON THE LOCALIZED PLATE AREA, 2.54µm [.000100] MIN TIN-LEAD PLATE ON THE SOLDER-TAIL, 1.27µm [.000050] MIN NICKEL UNDERPLATE ON THE ENTIRE POST. OR 0.38µm [.000015] MIN GOLD PLATE ON THE LOCALIZED PLATE AREA, 2.54µm [.000100] MIN TIN-LEAD PLATE ON THE SOLDER-TAIL, 1.27µm [.000050] MIN NICKEL UNDERPLATE ON THE ENTIRE POST.

9 OBSOLETE PARTS: OBSOLETE CIS STREAMLINING PER D.RENAUD/D.SINISI

| 9 | SUPERCEDED BY 5678009-8 | 20 | 27.94<br>[1.100] | 45.72<br>[1.800] | 39.62<br>[1.560] | 49.78<br>[1.960] | 45.72<br>[1.800] | 35.56<br>[1.400] | 24 | -678009-8   |
|---|-------------------------|----|------------------|------------------|------------------|------------------|------------------|------------------|----|-------------|
|   |                         | 2  | 10.16<br>[.400]  | 27.94<br>[1.100] | 21.84<br>[.860]  | 32.00<br>[1.260] | 27.94<br>[1.100] | 17.78<br>[.700]  | 10 | 678009-7    |
|   |                         | 5  | 40.64<br>[1.600] | 58.42<br>[2.300] | 52.32<br>[2.060] | 62.48<br>[2.460] | 58.42<br>[2.300] | 48.26<br>[1.900] | 34 | 678009-6    |
| 9 | SUPERCEDED BY 5678009-5 | 25 | 60.96<br>[2.400] | 78.74<br>[3.100] | 72.64<br>[2.860] | 82.80<br>[3.260] | 78.74<br>[3.100] | 68.58<br>[2.700] | 50 | -678009-5   |
| 9 | SUPERCEDED BY 5678009-4 | 8  | 48.26<br>[1.900] | 66.04<br>[2.600] | 59.94<br>[2.360] | 70.10<br>[2.760] | 66.04<br>[2.600] | 55.88<br>[2.200] | 40 | -678009-4   |
| 9 | SUPERCEDED BY 5678009-3 | 19 | 22.86<br>[.900]  | 40.64<br>[1.600] | 34.54<br>[1.360] | 44.70<br>[1.760] | 40.64<br>[1.600] | 30.48<br>[1.200] | 20 | -678009-3   |
| 9 | SUPERCEDED BY 5678009-2 | 16 | 22.86<br>[.900]  | 40.64<br>[1.600] | 34.54<br>[1.360] | 44.70<br>[1.760] | 40.64<br>[1.600] | 30.48<br>[1.200] | 20 | -678009-2   |
| 9 | SUPERCEDED BY 5678009-1 | 10 | 10.16<br>[.400]  | 27.94<br>[1.100] | 21.84<br>[.860]  | 32.00<br>[1.260] | 27.94<br>[1.100] | 17.78<br>[.700]  | 10 | -678009-1   |
|   | PIN NO OMITTED          | F  | E                | D                | C                | B                | A                | NO OF POSN       |    | PART NUMBER |

THIS DRAWING IS A CONTROLLED DOCUMENT. DIN T. SHUEY 9-12-97  
 CHK H. ROSE 10-2-97  
 APVD H. ROSE 10-2-97  
 NAME Tyco Electronics Tyco Electronics Corporation Harrisburg, PA 17105-3608  
 PRODUCT SPEC 108-40018  
 APPLICATION SPEC  
 HEADER ASSEMBLY, UNIVERSAL, AMP LATCH  
 DIMENSIONS: mm (INCHES) TOLERANCES UNLESS OTHERWISE SPECIFIED:  
 0 PLC ± -  
 1 PLC ± -  
 2 PLC ± -  
 3 PLC ± 0.13 [.005]  
 4 PLC ± -  
 ANGLES ± -  
 MATERIAL FINISH  
 WEIGHT  
 SIZE CAGE CODE DRAWING NO RESTRICTED TO  
 A1 00779 678009  
 CUSTOMER DRAWING SCALE 4:1 SHEET 1 OF 1 REV E