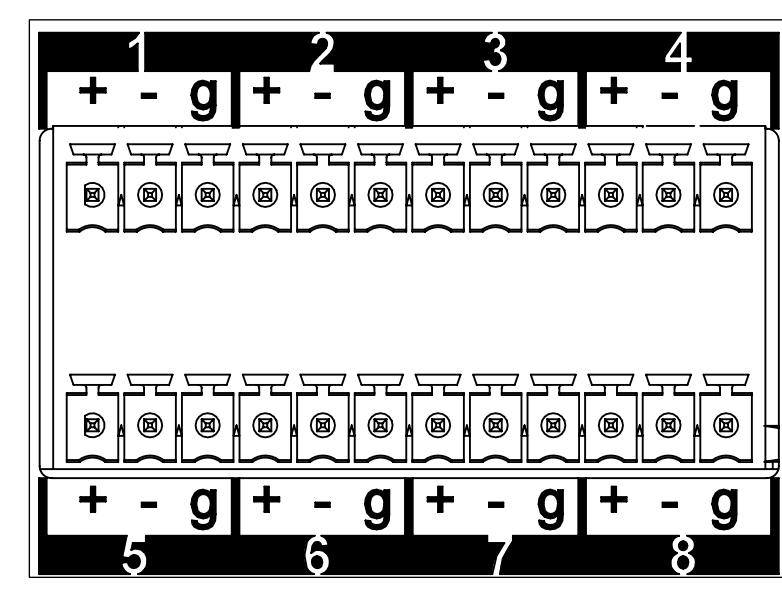
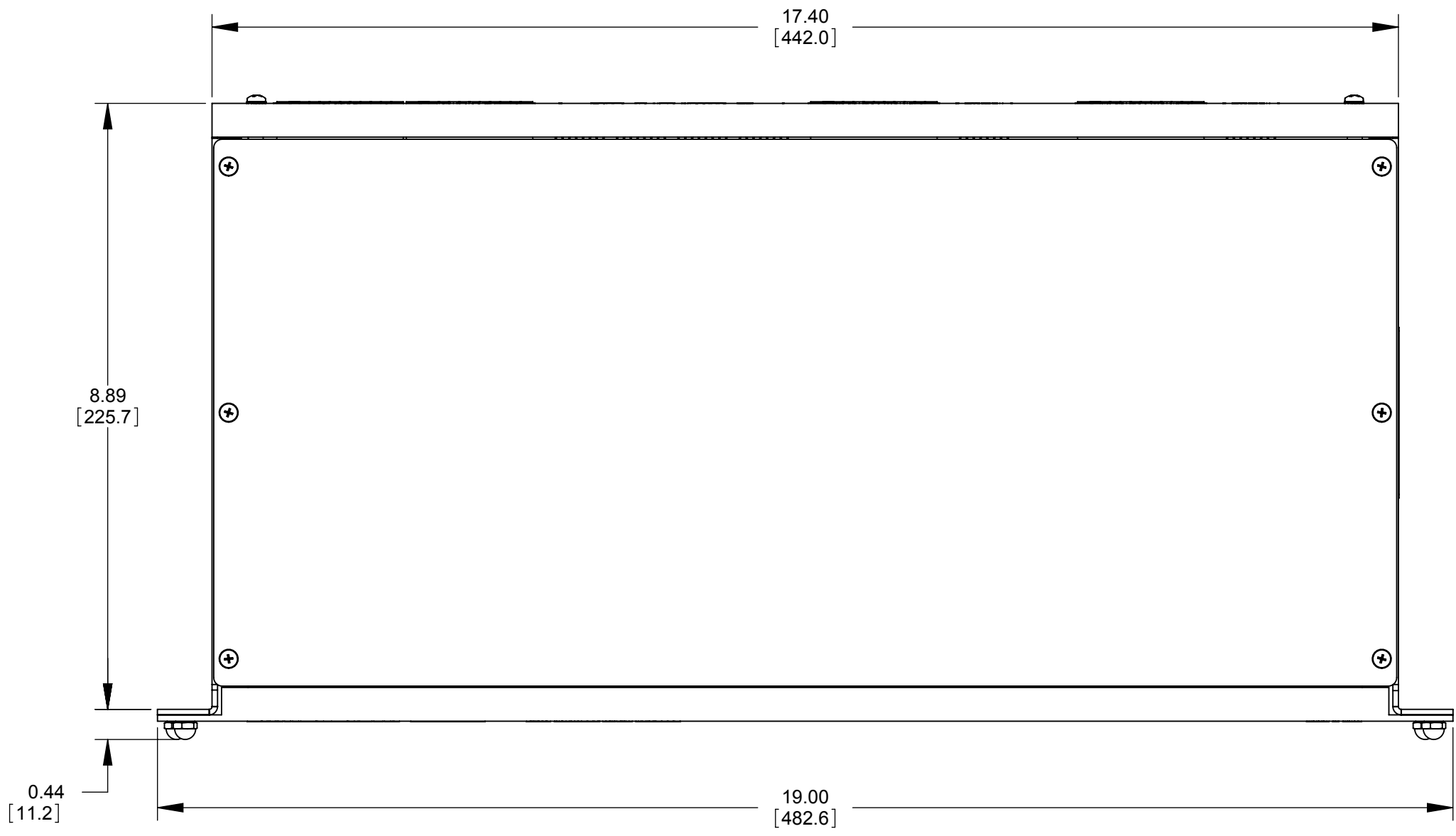
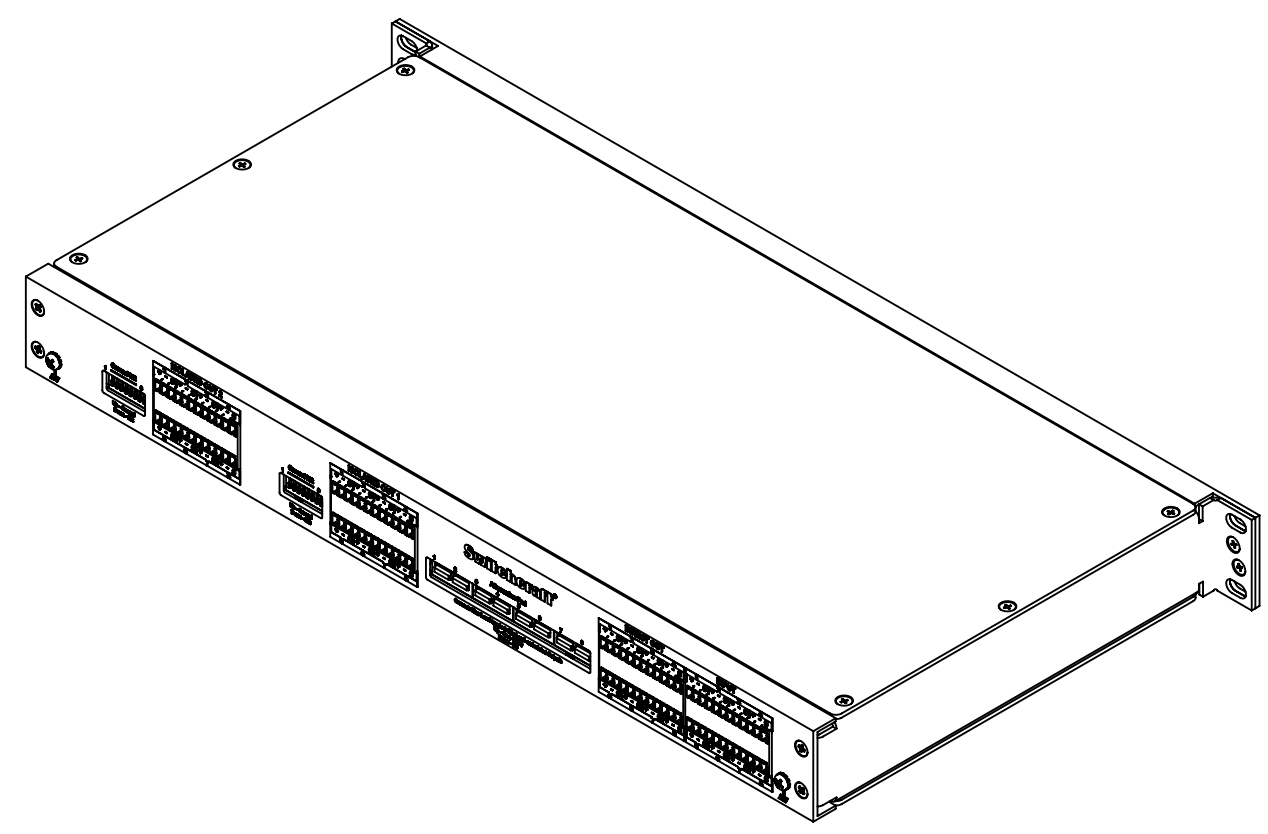


- NOTES:
1. ALL DIMENSIONS FOR REFERENCE ONLY.
 2. TERMINAL BLOCK MATING PLUG: 12 POSITION, 3.81mm (0.150 IN) PITCH SOLD SEPARATELY.
 3. CHASSIS IS BLACK ANODIZED ALUMINUM WITH LASER ETCHED WHITE TEXT AND ARTWORK.
 4. THIS PRODUCT IS RoHS COMPLIANT.



TERMINAL BLOCK PINOUT
SEE NOTE 2



CUSTOMER DRAWING

UNLESS OTHERWISE SPECIFIED					THIS DRAWING DESCRIBES A DESIGN CONSIDERED PROPRIETARY IN NATURE, DEVELOPED AND MANUFACTURED BY SWITCHCRAFT INC. AND IS RELEASED ON A CONFIDENTIAL BASIS FOR IDENTIFICATION PURPOSES ONLY.				
1. ALL DIMENSIONS IN INCHES [mm]					SIZE	WIDTH	MULT	LBS/M	TEMPER
- TWO PLACE DECIMALS ±0.02 [0.5]					FINISH				MATERIAL
- THREE PLACE DECIMALS ±0.005 [0.13]					FIRST USED ON				SPEC No.
					SCALE				
					DATE DRAWN	BY	CHKD	APVD	Switchcraft®
					7/23/10	BHM	04/06/17	04/06/17	
					NAME				SHEET 1 OF 3
					AUDIO SPLITTER				PART No.
					8 CHANNEL / 3-WAY WITH SHIELDED TRANSFORMERS				
REVISIONS					DO NOT SCALE DRAWING				REV A
REV	ECO NUMBER	DATE	BY	APVD	SolidWorks CAD File				
A	27705	05/19/16	PC	TJK					
					8 CHANNEL / 3-WAY WITH SHIELDED TRANSFORMERS				RMAS8C

RMAS8C Audio Splitter

Audio Specifications

Switchcraft®

Parameter	Performance	Conditions
Frequency Response	10Hz - 20kHz	+/-0.5dB, ref 1kHz
Total Harmonic Distortion + Noise	< 0.008% < 0.07%	at 1kHz, -20dBu Input, 22kHz Bandwidth at 20Hz, -20dBu Input, 22kHz Bandwidth
Maximum Input Level	+4dBu	at 20Hz with 1% THD+Noise
Input Impedance	395Ω Typical	at 1kHz
Output Impedance	185Ω Typical	at 1kHz
Common Mode Rejection Ratio (CMRR)	> 118dB > 99dB	at 60Hz at 1kHz
Deviation from Linear Phase	< 2° < 2° < 24°	at 20Hz at 1kHz at 20kHz
Crosstalk	< -80dB	20Hz - 20kHz, Channel-to-Channel
Voltage Gain		
Direct Output	-3dB	+/-1dB
Direct Output (Pad On)	-1dB	+/-1dB
Isolated Outputs	-4dB	+/-1dB
Isolated Outputs (Pad On)	-44dB	+/-1dB
Pad Attenuation	40dB	+/-1dB

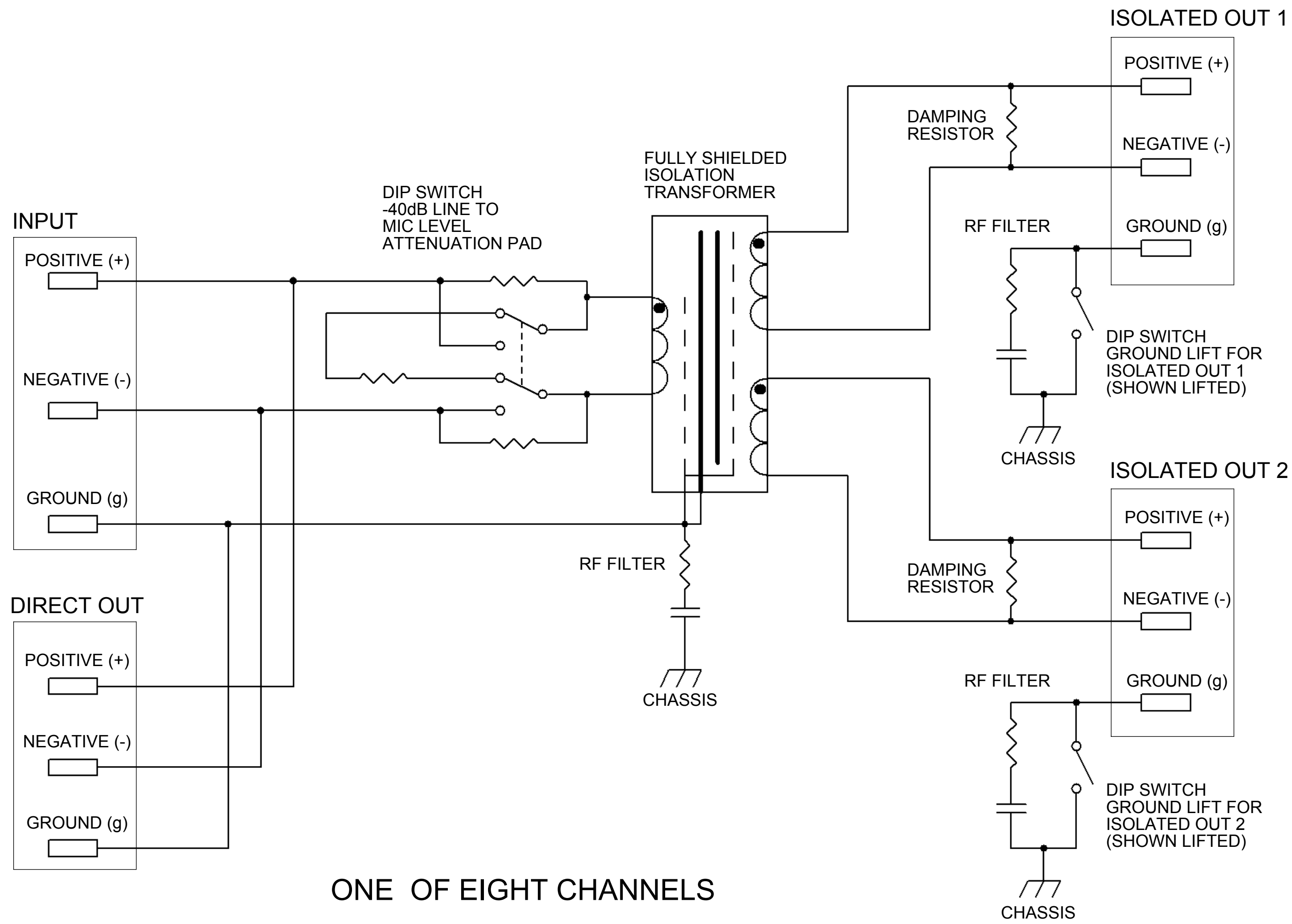
Notes: All measurements were taken with a 150Ω balanced source and 1.5kΩ loads on all three outputs.

Specifications subject to change without notice.

CUSTOMER DRAWING

SCALE 1:2	Switchcraft®	
DATE DRAWN 7/23/10		
DRAWN BY BHM	PART No. RMAS8C	REV A

8 7 6 5 4 3 2 1



ONE OF EIGHT CHANNELS

CUSTOMER DRAWING

SCALE 1:2	Switchcraft [®]	
DATE DRAWN 7/23/10		
DRAWN BY BHM	PART No. RMAS8C	REV A

8 7 6 5 4 3 2 1