



CMCP770A

Compact Top Entry Accelerometer, 2 Pin MS 5015



Features:

- Compact Top Exit Accelerometer
- 100mV/g $\pm 10\%$
- 130° Max Temperature Range
- $\pm 80g$ Dynamic Range
- 2 Pin MS 5015 Connector
- 1/4"-28 UNF and M8x1.25 Mounting Studs Included
- Sealed to IP68

Typical Applications

Fans, Motors, Pumps, Compressors, Centrifuges, Conveyors, Air Handlers, Gearboxes, Rolls, Dryers, Presses, Cooling, HVAC, Spindles, Machine Tooling, Process Equipment and many more.

Technical Performance

Mounted Base Resonance: 28 kHz (nominal)
 Sensitivity: 100mV/g $\pm 10\%$ Nominal 80Hz at 22°C
 Frequency Response: 1.5 Hz to 16 kHz $\pm 10\%$ (90 cpm to 960k cpm)
 0.8 Hz to 19 kHz $\pm 3dB$ (48 cpm to 1,140k cpm)
 Isolation: Base Isolated
 Measurement Range: $\pm 80 g$
 Transverse Sensitivity: Less than 5%

Electrical

Electrical Noise: 0.1mg max
 Current Range: 0.5mA to 8mA
 Bias Voltage: 10-12 Vdc
 Settling Time: 1 Second
 Output Impedance: 200 Ohms max.
 Case Isolation: $>10^8$ Ohms at 500 Volts

Environmental

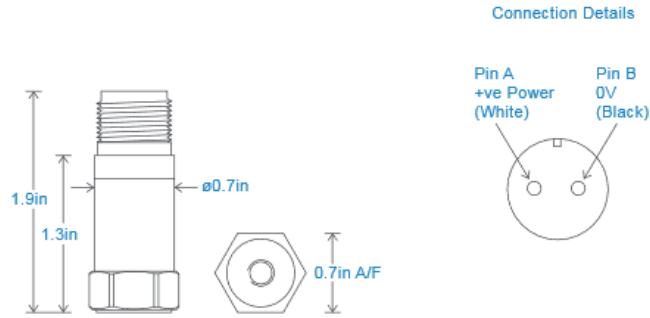
Operating Temperature Range: -67 to 266°F (-55 to 130°C)
 Sealing: IP68 / Hermetically Sealed
 Maximum Shock: 5000 g
 Approvals: CE Approved

Mechanical

Case Material: Stainless Steel
 Sensing Element: PZT/Shear
 Mounting Torque: 5.9ft. lbs (8Nm)
 Weight: 1.8 Oz (52 grams)
 Mating Connector: 2 Pin MS 5015 Connector
 Mounting: 1/4-28 UNF and M8x1.25 Mounting Studs Provided

Condition Monitoring Custom Products

Dimensions



Ordering Information:

CMCP770A Compact Accelerometer, Top Exit, 100mV/g with 2 Pin MS 5015

Alternative Sensitivity Ordering Information:

CMCP770A-XXX Specify Sensitivity in Place of -XXX
50mV/g (-050), 250mV/g (-250) and 500mV/g (-500)

Recommended Cable Assemblies:

General Purpose TPE Jacketed Cable (Rated to 120°C)

- CMCP602L Series 2 Socket MS Connector, Locking Collar, IP67
- CMCP602LST Series 2 Socket MS Connector, Push On Seal Tight, IP68

High Temperature FEP Jacketed Cable (Rated to 200°C)

- CMCP602H Series 2 Socket MS Connector, Locking Collar, IP67
- CMCP602HST Series 2 Socket MS Connector, Push On Seal Tight, IP68