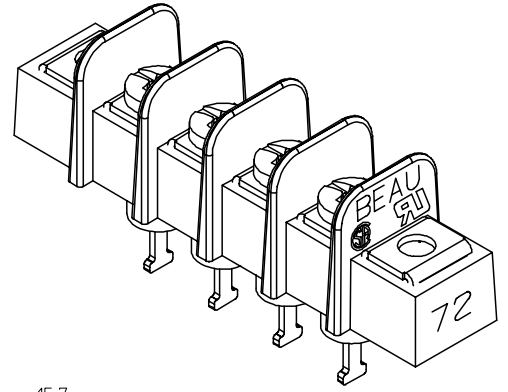
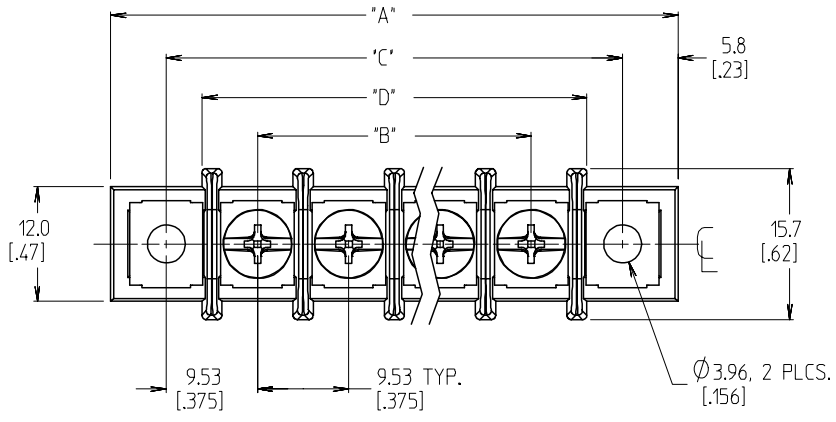
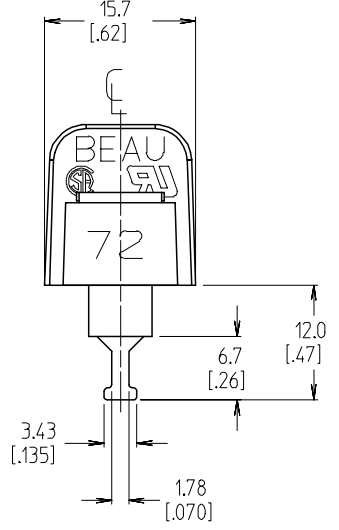
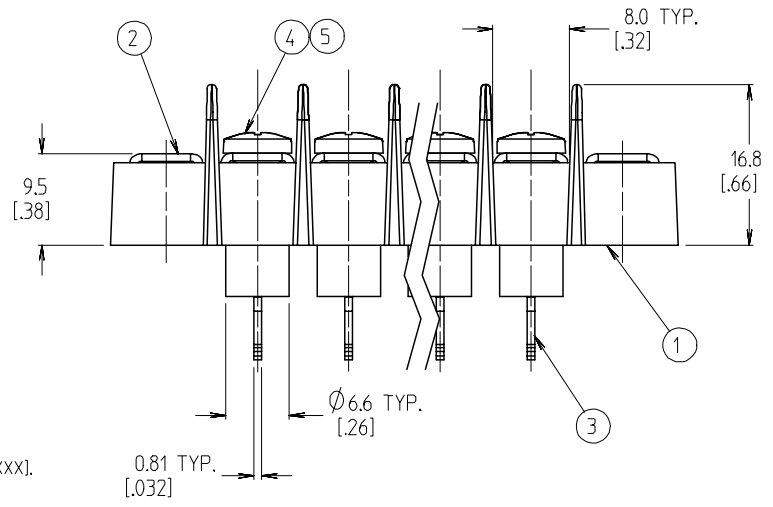


REF -50 OPTION SCREW  
(WHERE APPLICABLE)



4 CIRCUIT SHOWN



- NOTES:
1. MATERIAL: SEE TABLE
  2. INCH DIMENSIONS ARE SHOWN IN BRACKETS [XXX].
  3. "XX" REFERS TO THE QUANTITY OF CIRCUITS.
  4. ALL COMPONENTS ARE ROHS COMPLIANT.

| ITEM | QTY | DESCRIPTION                                      | MATERIAL      | FINISH             |
|------|-----|--|---------------|--------------------|
| 6    | XX  | SCREW&WASHER, 6-32X.250, PAN, PH/SL (-50 OPTION) | STEEL         | ZN, CLEAR CHROMATE |
| 5    | XX  | SCREW, 6-32X.250, BHD, PHIL-SLOT (-49 OPTION)    | BRASS         | NICKEL             |
| 4    | XX  | SCREW, 6-32X.250, BHD, PHIL-SLOT (STANDARD)      | STEEL         | ZN, CLEAR CHROMATE |
| 3    | XX  | TERMINAL, SOLDER TURRET                          | BRASS         | TIN                |
| 2    | XX  | MOUNTING PLATE                                   | BRASS         | NICKEL             |
| 1    | 1   | INSULATOR, SR, W/MTG                             | THERMOPLASTIC | BLACK              |

|                           |                 |
|---------------------------|-----------------|
| INITIAL RELEASE           | QUALITY SYMBOLS |
| EC NO: ETC2007-0073       | ▽=0             |
| DRW: DRWNEHLE 2006/09/28  | ▽=0             |
| CHKD: JMACNEIL 2006/09/28 |                 |
| APPR: JMACNEIL 2006/09/28 |                 |
| REV A                     |                 |

| GENERAL TOLERANCES (UNLESS SPECIFIED)                |        |
|--|--------|
| mm   | INCH   |
| 4 PLACES ± ---                                       | ± ---  |
| 3 PLACES ± ---                                       | ± .005 |
| 2 PLACES ± 0.13                                      | ± .01  |
| 1 PLACE ± 0.25                                       | ± ---  |
| ANGULAR ± 2 °  |        |
| DRAFT WHERE APPLICABLE MUST REMAIN WITHIN DIMENSIONS |        |

| DIMENSION STYLE |              |
|-----------------|--------------|
| MM/IN           |              |
| DRAWN BY        | DATE         |
| EHILE           | 2006/09/13   |
| CHECKED BY      | DATE         |
| JMACNEIL        | 2006/09/13   |
| APPROVED BY     | DATE         |
| JMACNEIL        | 2006/09/13   |
| MATERIAL NO.    | DOCUMENT NO. |
| SEE CHART       | SD-38720-010 |
| SIZE B          |              |

|  |              |                        |
|--|--------------|------------------------|
| SCALE  | DESIGN UNITS | THIRD ANGLE PROJECTION |
| 2:1  | INCH         |                        |
| TITLE  |              |                        |
| 9.53MM [.375] SR BTS ASSY, INSULATED TURRET TERMINAL W/MTG |              |                        |
| MOLEX INCORPORATED   |              |                        |
| MATERIAL NO.   | DOCUMENT NO. | SHEET NO.              |
| SEE CHART  | SD-38720-010 | 1 OF 2                 |

| NO. OF CIRCUITS | DIM. "A" |       | DIM. "B" |       | DIM. "C" |        | DIM. "D" |      | ASSEMBLY MATERIAL NO. (STANDARD) | ASSEMBLY MATERIAL NO. (-49 OPT) | ASSEMBLY MATERIAL NO. (-50 OPT) |
|-----------------|----------|-------|----------|-------|----------|--------|----------|------|----------------------------------|---------------------------------|---------------------------------|
|                 | mm       | in    | mm       | in    | mm       | in     | mm       | in   |                                  |                                 |                                 |
| 02              | 40.1     | 1.58  | 9.53     | 0.375 | 28.58    | 1.125  | 21.1     | 0.83 | 387203202                        | 387203502                       | 387203802                       |
| 03              | 49.7     | 1.96  | 19.05    | 0.750 | 38.10    | 1.500  | 30.7     | 1.21 | 387203203                        | 387203503                       | 387203803                       |
| 04              | 59.2     | 2.33  | 28.58    | 1.125 | 47.63    | 1.875  | 40.2     | 1.58 | 387203204                        | 387203504                       | 387203804                       |
| 05              | 68.7     | 2.71  | 38.10    | 1.500 | 57.15    | 2.250  | 49.7     | 1.96 | 387203205                        | 387203505                       | 387203805                       |
| 06              | 78.2     | 3.08  | 47.63    | 1.875 | 66.68    | 2.625  | 59.2     | 2.33 | 387203206                        | 387203506                       | 387203806                       |
| 07              | 87.8     | 3.46  | 57.15    | 2.250 | 76.20    | 3.000  | 68.8     | 2.71 | 387203207                        | 387203507                       | 387203807                       |
| 08              | 97.3     | 3.83  | 66.68    | 2.625 | 85.73    | 3.375  | 78.3     | 3.08 | 387203208                        | 387203508                       | 387203808                       |
| 09              | 106.8    | 4.21  | 76.20    | 3.000 | 95.25    | 3.750  | 87.8     | 3.46 | 387203209                        | 387203509                       | 387203809                       |
| 10              | 116.3    | 4.58  | 85.73    | 3.375 | 104.78   | 4.125  | 97.3     | 3.83 | 387203210                        | 387203510                       | 387203810                       |
| 11              | 125.9    | 4.96  | 95.25    | 3.750 | 114.30   | 4.500  | 106.9    | 4.21 | 387203211                        | 387203511                       | 387203811                       |
| 12              | 135.4    | 5.33  | 104.78   | 4.125 | 123.83   | 4.875  | 116.4    | 4.58 | 387203212                        | 387203512                       | 387203812                       |
| 13              | 144.9    | 5.71  | 114.30   | 4.500 | 133.35   | 5.250  | 125.9    | 4.96 | 387203213                        | 387203513                       | 387203813                       |
| 14              | 154.4    | 6.08  | 123.83   | 4.875 | 142.88   | 5.625  | 135.4    | 5.33 | 387203214                        | 387203514                       | 387203814                       |
| 15              | 164.0    | 6.46  | 133.35   | 5.250 | 152.40   | 6.000  | 145.0    | 5.71 | 387203215                        | 387203515                       | 387203815                       |
| 16              | 173.5    | 6.83  | 142.88   | 5.625 | 161.93   | 6.375  | 154.5    | 6.08 | 387203216                        | 387203516                       | 387203816                       |
| 17              | 183.0    | 7.21  | 152.40   | 6.000 | 171.45   | 6.750  | 164.0    | 6.46 | 387203217                        | 387203517                       | 387203817                       |
| 18              | 192.5    | 7.58  | 161.93   | 6.375 | 180.98   | 7.125  | 173.5    | 6.83 | 387203218                        | 387203518                       | 387203818                       |
| 19              | 202.1    | 7.96  | 171.45   | 6.750 | 190.50   | 7.500  | 183.1    | 7.21 | 387203219                        | 387203519                       | 387203819                       |
| 20              | 211.6    | 8.33  | 180.98   | 7.125 | 200.03   | 7.875  | 192.6    | 7.58 | 387203220                        | 387203520                       | 387203820                       |
| 21              | 221.1    | 8.71  | 190.50   | 7.500 | 209.55   | 8.250  | 202.1    | 7.96 | 387203221                        | 387203521                       | 387203821                       |
| 22              | 230.6    | 9.08  | 200.03   | 7.875 | 219.08   | 8.625  | 211.6    | 8.33 | 387203222                        | 387203522                       | 387203822                       |
| 23              | 240.2    | 9.46  | 209.55   | 8.250 | 228.60   | 9.000  | 221.2    | 8.71 | 387203223                        | 387203523                       | 387203823                       |
| 24              | 249.7    | 9.83  | 219.08   | 8.625 | 238.13   | 9.375  | 230.7    | 9.08 | 387203224                        | 387203524                       | 387203824                       |
| 25              | 259.2    | 10.21 | 228.60   | 9.000 | 247.65   | 9.750  | 240.2    | 9.46 | 387203225                        | 387203525                       | 387203825                       |
| 26              | 268.7    | 10.58 | 238.13   | 9.375 | 257.18   | 10.125 | 249.7    | 9.83 | 387203226                        | 387203526                       | 387203826                       |

|   |                  |   |   |  |  |   |
|---|------------------|---|---|--|--|---|
| INITIAL RELEASE<br>EC NO: ETC2007-0073<br>DRW: EHILE 2006/09/28<br>CHKD: JMACNEIL 2006/09/28<br>APPR: JMACNEIL 2006/09/29 | DESCRIPTION<br>A | QUALITY SYMBOLS<br>▽=0<br>▽=0   | GENERAL TOLERANCES (UNLESS SPECIFIED)<br>mm INCH<br>4 PLACES ± --- ± ---<br>3 PLACES ± --- ± .005<br>2 PLACES ± 0.13 ± .01<br>1 PLACE ± 0.25 ± ---<br>ANGULAR ± 2 ° | DIMENSION STYLE<br>MM/IN<br>DRAWN BY DATE<br>EHILE 2006/09/13<br>CHECKED BY DATE<br>JMACNEIL 2006/09/13<br>APPROVED BY DATE<br>JMACNEIL 2006/09/13 | SCALE<br>2:1<br>DESIGN UNITS<br>INCH<br>THIRD ANGLE PROJECTION | TITLE<br>9.53MM [.375] SR BTS<br>ASSY, INSULATED TURRET<br>TERMINAL W/MTG |
|   |                  | DRAFT WHERE APPLICABLE<br>MUST REMAIN<br>WITHIN DIMENSIONS  | MATERIAL NO.<br>SEE CHART   | DOCUMENT NO.<br>SD-38720-010   | SHEET NO.<br>2 OF 2  |   |
|   |                  | THIS DRAWING CONTAINS INFORMATION THAT IS PROPRIETARY TO MOLEX INCORPORATED AND SHOULD NOT BE USED WITHOUT WRITTEN PERMISSION |   |  |  |   |
|   |                  | MOLEX INCORPORATED  |   |  |  |   |