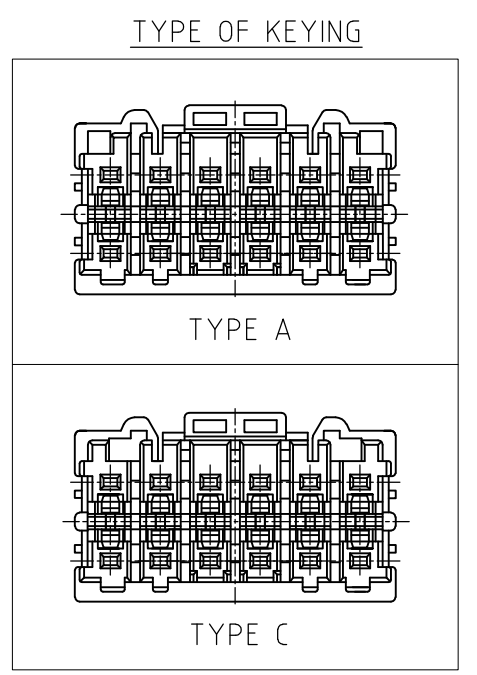
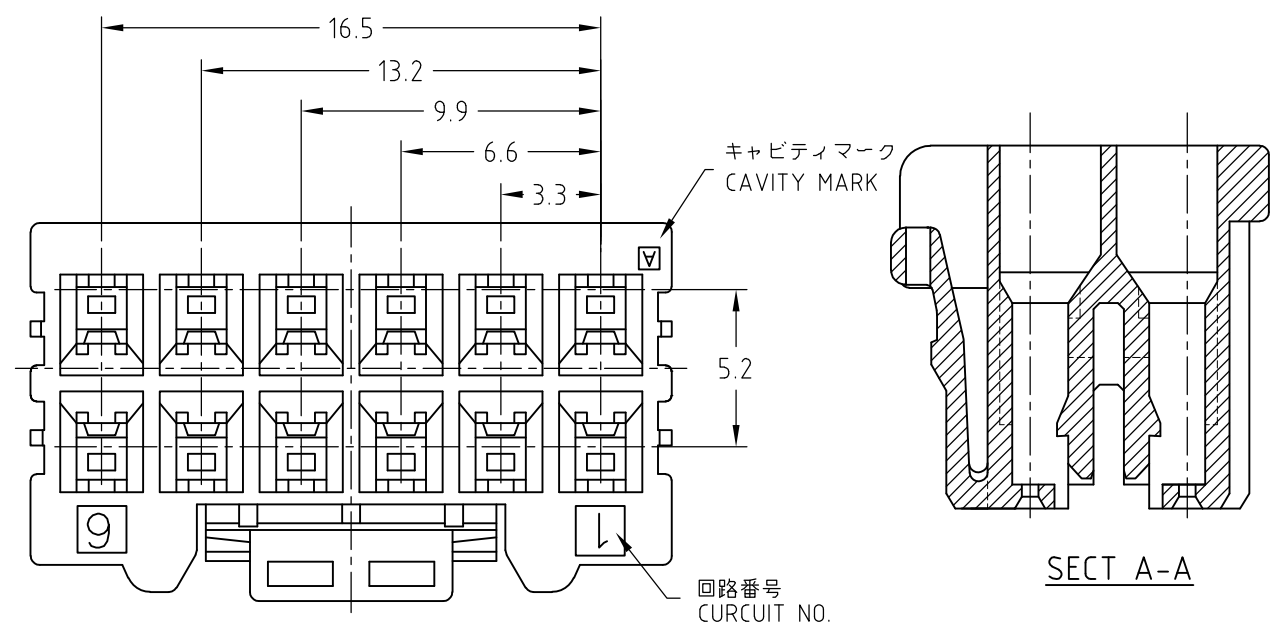


THIS DRAWING IS UNPUBLISHED. RELEASED FOR PUBLICATION
 © COPYRIGHT BY TYCO ELECTRONICS CORPORATION. ALL RIGHTS RESERVED.

LOC	DIST	REVISIONS					
J	—	P	LTR	DESCRIPTION	DATE	DWN	APVD
			B1	REVISED PER ECR-10-019980	04OCT10	HMR	TM

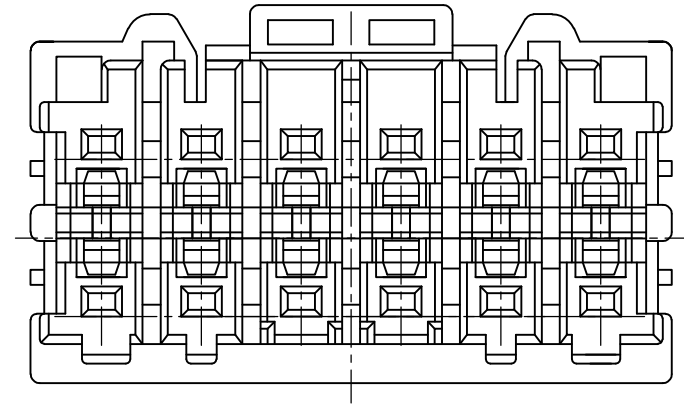
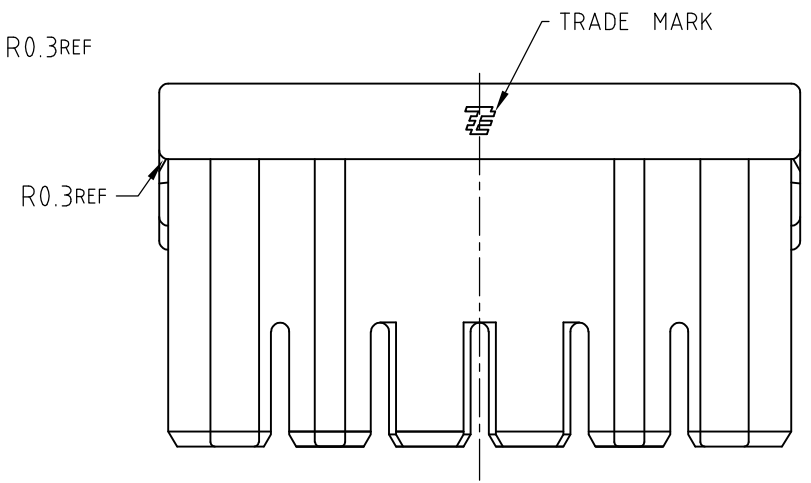
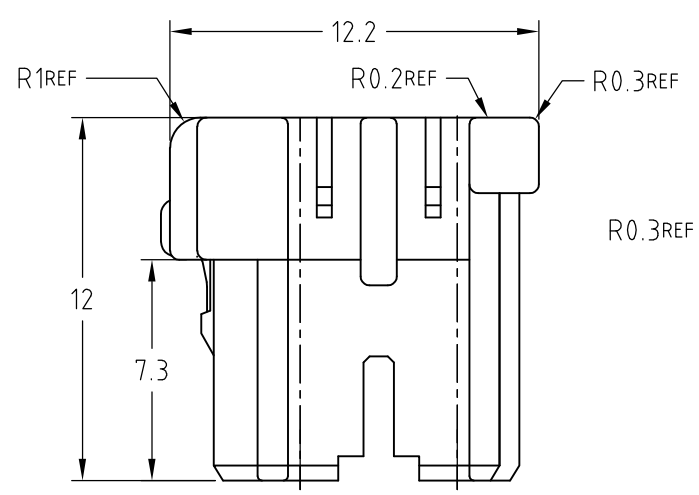
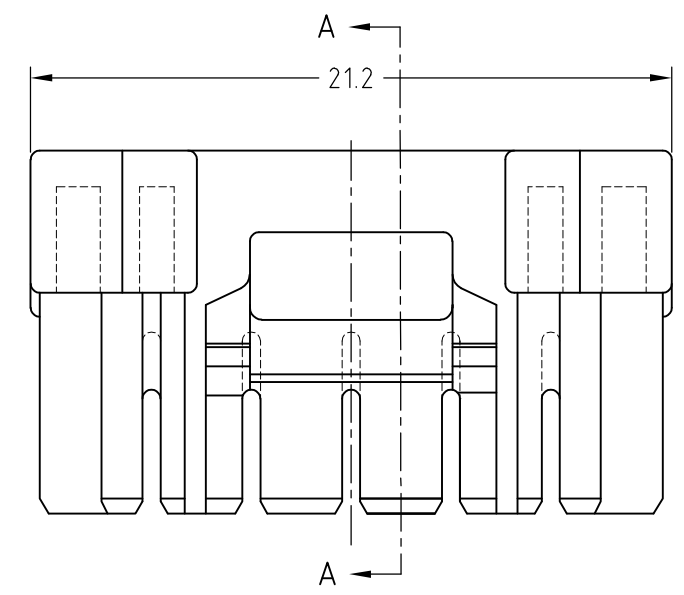


TABLE

プラグハウジング (PLUG HOUSING)	6/6ナイロンガラス強化UL94V-0 (6/6 NYLON GRASS FILLED) UL94V-0
名称 (NAME)	材料 (MATERIAL)

注
 ⚠ かん合相手製品型番：
 ヘッダーアッセンブリ：SEE TABLE
 リセコンタクト：1827395-1

NOTES
 ⚠ MATING CONN.P/N
 HEADER ASSEMBLY:SEE TABLE
 REC CONTACT:1827395-1



2-1871571-3	C	BLUE	2-1871570-3
*-1871571-1	A	NATURAL	1871570-1
MATING CONN.P/N ⚠	TYPE OF KEYING	COLOR	PART NUMBER

THIS DRAWING IS A CONTROLLED DOCUMENT.		DWN T.HATANO 22FEB2006	Tyco Electronics AMP K.K. Kawasaki, Japan	
DIMENSIONS: 単位: 耗 mm		CHK N.YAMASAKI 22FEB2006	NAME 名称 GRACE INERTIA CONNECTOR 3.3 PLUG HOUSING 12POS 2ROW	
TOLERANCES UNLESS OTHERWISE SPECIFIED: 一般公差		APVD N.YAMASAKI 22FEB2006	PRODUCT SPEC 製品規格 108-78231	
0 PLC ± 0.3 1 PLC ± 0.3 2 PLC ± 0.3 3 PLC ± 4 PLC ± ANGLES ±		APPLICATION SPEC 取付適用規格 114-5372	RESTRICTED TO —	
MATERIAL 材料 SEE TABLE		WEIGHT —	SIZE A3	CAGE CODE 00779
FINISH 仕上 —		DRAWING NO 番号 G-1871570		SCALE 尺度 4:1
CUSTOMER DRAWING		SHEET 1 OF 1		REV B1