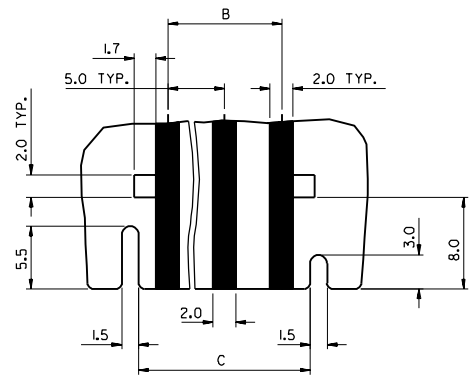


CCT SIZE	DIM A	DIM B	DIM C	CONNECTORS PER BOX
2	14.6	5	10.2	250
3	19.6	10	15.2	250
4	24.6	15	20.2	250
5	29.6	20	25.2	250
6	34.6	25	30.2	250
7	39.6	30	35.2	250
8	44.6	35	40.2	250
9	49.6	40	45.2	250
10	54.6	45	50.2	250
11	59.6	50	55.2	250
12	64.6	55	60.2	250



**RECOMMENDED PCB LAYOUT**  
 DO NOT SCALE  
 THICKNESS 1.50±0.14

- NOTES:
- MATERIAL: POLYAMIDE (PA66), UL 94V-2  
 COLOUR: BEIGE.
  - SEE FOLLOWING SHEET FOR PART NUMBERS SHOWING THE VARIOUS CODING, POSITIONING AND LATCHING OPTIONS.

ORIGINAL ISSUE EC No. E80013 DRAWN: EFLAN 97/07/10 CHK: / / APP: / /	QUALITY SYMBOLS MAJOR CRITICAL C	GENERAL TOLERANCES: (UNLESS SPECIFIED)		SCALE 4 : 1	DESIGN UNITS <input checked="" type="checkbox"/> mm <input type="checkbox"/> INCH	DIMENSIONS: <input type="checkbox"/> mm <input type="checkbox"/> INCH <input checked="" type="checkbox"/> mm ONLY	SHT	REV			
		4 PLACES ±0. ±.	3 PLACES ±0. ±.	2 PLACES ±0.05 ±.	1 PLACE ±0.10 ±.	ANGULAR: ± 1/2°	DRAWN BY & DATE EFLAN 97/07/10		TITLE: MALE GUIDE FRAME RAST 5 6 AMPS		
REV	DESCRIPTION	DRAFT WHERE APPLICABLE MUST REMAIN WITHIN DIMENSIONS		APPROVED BY & DATE MWILHITE 97/09/19		MATERIAL NO. S90874X1.DGN		DRAWING NO. SD-90874-001		SHEET NO. 1 OF 2	

THIS DRAWING CONTAINS INFORMATION THAT IS PROPRIETARY TO MOLEX INCORPORATED AND SHOULD NOT BE USED WITHOUT WRITTEN PERMISSION.

MOLEX PART NO	CIRCUIT SIZE	COLOUR	POSITION KEYS	CODING KEYS	LATCH POSITION	CONFIRGURATION	REF
90874-0003	2	NATURAL	1b 2a	01c d20	1/2		K01

MOLEX PART NO	CIRCUIT SIZE	COLOUR	POSITION KEYS	CODING KEYS	LATCH POSITION	CONFIRGURATION	REF
90874-1254	4	NATURAL	1b	03c d40	1/2 3/4		K01

MOLEX PART NO	CIRCUIT SIZE	COLOUR	POSITION KEYS	CODING KEYS	LATCH POSITION	CONFIRGURATION	REF
90874-4252	8	NATURAL	4a 6b	03c d60	1/2 3/4 5/6 7/8		K30

PART NO. SEE CHART  
DWG. NO. SD-90874-001

ORIGINAL ISSUE EC NO. E80013 DRW:EFOLAN 97/07/11 CHK: / / / APPR: / / / A	DESCRIPTION MAJOR = CRITICAL = C =	QUALITY SYMBOLS	GENERAL TOLERANCES: (UNLESS SPECIFIED)	SCALE : <input checked="" type="checkbox"/> mm <input type="checkbox"/> INCH	DESIGN UNITS <input checked="" type="checkbox"/> mm <input type="checkbox"/> INCH	THIRD ANGLE PROJECTION 	DIMENSIONS: <input type="checkbox"/> mm <input type="checkbox"/> INCH <input checked="" type="checkbox"/> mm ONLY	SHT REV
	REV	4 PLACES ±0.     ±. 3 PLACES ±0.     ±. 2 PLACES ±0.     ±. 1 PLACE ±0.     ±.	DRAWN BY & DATE EFOLAN 97/07/11	TITLE: MALE GUIDE FRAME RAST 5 6 AMPS				REVISIONS CAD ONLY
	DRAFT WHERE APPLICABLE MUST REMAIN WITHIN DIMENSIONS	APPROVED BY & DATE MWILHITE 97/09/19	CAD FILENAME S90874X2.DGN	MATERIAL NO. SEE CHART DRAWING NO. SD-90874-001				SHEET NO. 2 OF
	THIS DRAWING CONTAINS INFORMATION THAT IS PROPRIETARY TO MOLEX INCORPORATED AND SHOULD NOT BE USED WITHOUT WRITTEN PERMISSION.							SIZE B