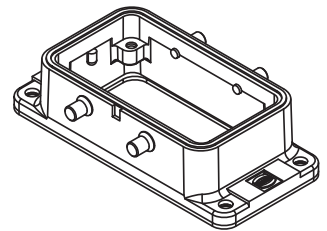
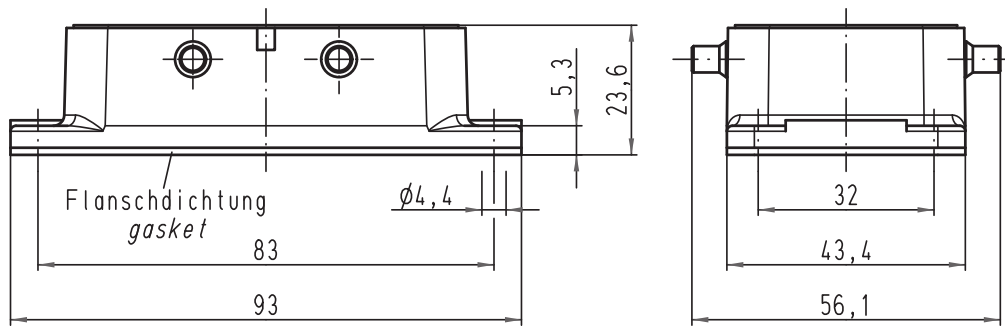
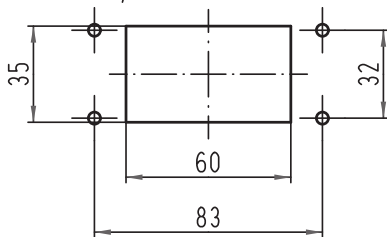


Alle Rechte vorbehalten/ All rights reserved



1:2 Montageausschnitt  
panel cut out



Anbaugehäuse zur Verriegelung  
mit Kupplungsgehäuse/ Anbaugehäuse  
*housing bulkhead mounting locking with  
hood cable to cable/ housing bulkhead mounting*

|   |          |                   |                                |      |   |  |
|---|----------|-------------------|--------------------------------|------|---|--|
| All Dimensions in mm<br>Original Size DIN A 4 |          | Techn. Character. |                                |      | Nicht tolerierte Maß/Free size tolerances |  |
|   |          |                   | Dat.                           | Name | Maßstab/Scale<br><br>1:1                  | <b>Han 10B-agg</b><br>Anbaugehäuse<br><i>housing bulkhead mounting</i> |
|   |          |                   | Detail.                        | Spr  |   |  |
|   |          |                   | Insp.                          | Be   |   |  |
|   |          |                   | Stand.                         |      |   |  |
| B   | 12.07.10 | Rull              | HARTING Electric GmbH & Co. KG |      |   | <b>TB 09 30 010 0310</b><br>Sub. TB 09 30 010 0310 v. 02.04.03         |
| A   |          |                   | D-32339 Espelkamp              |      |   |  |
| Mod.  | Dat.     | Name              |                                |      |   | Blatt/ page  |