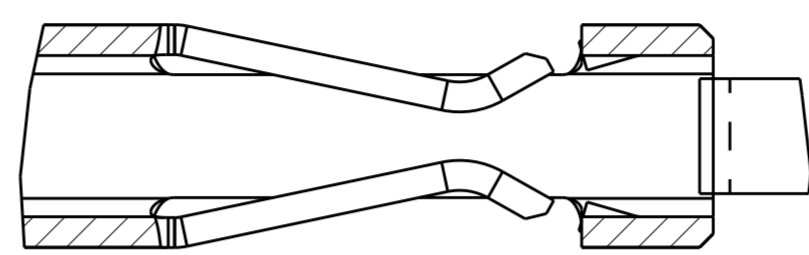
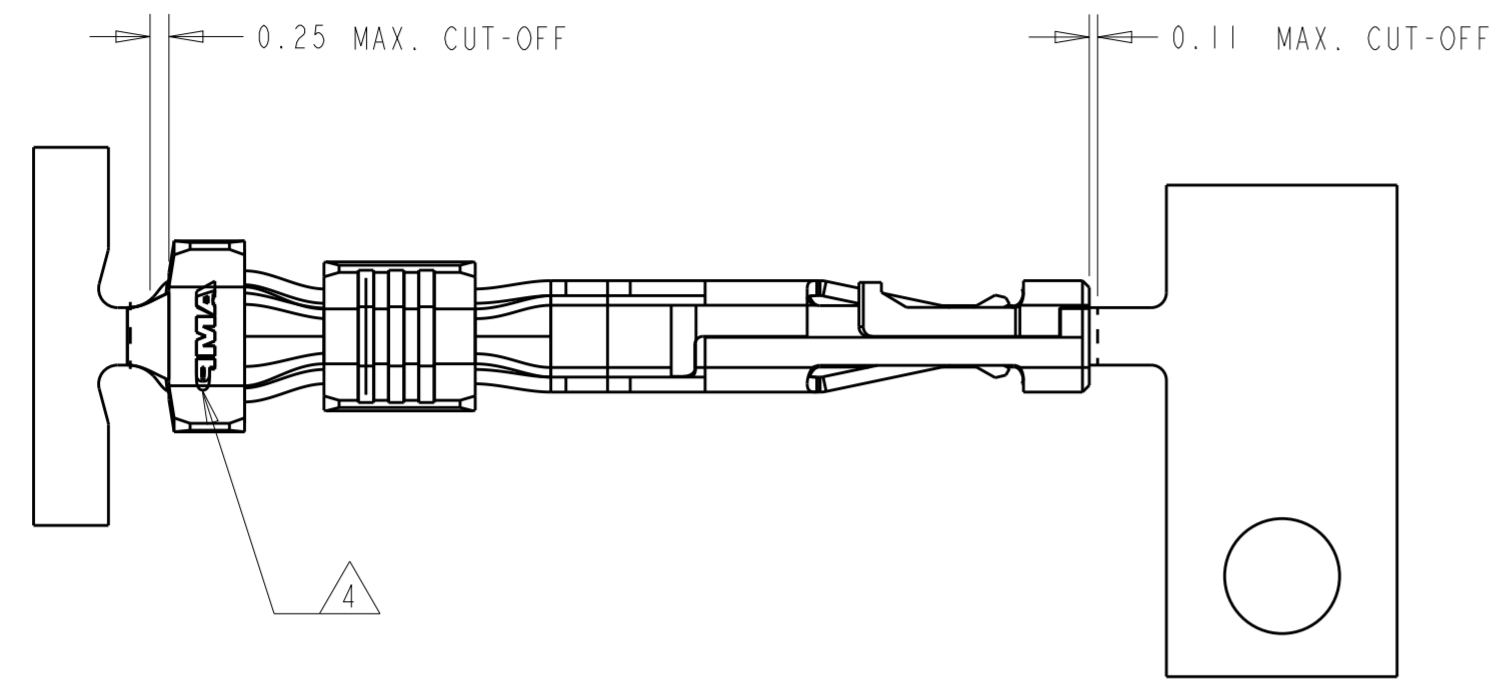


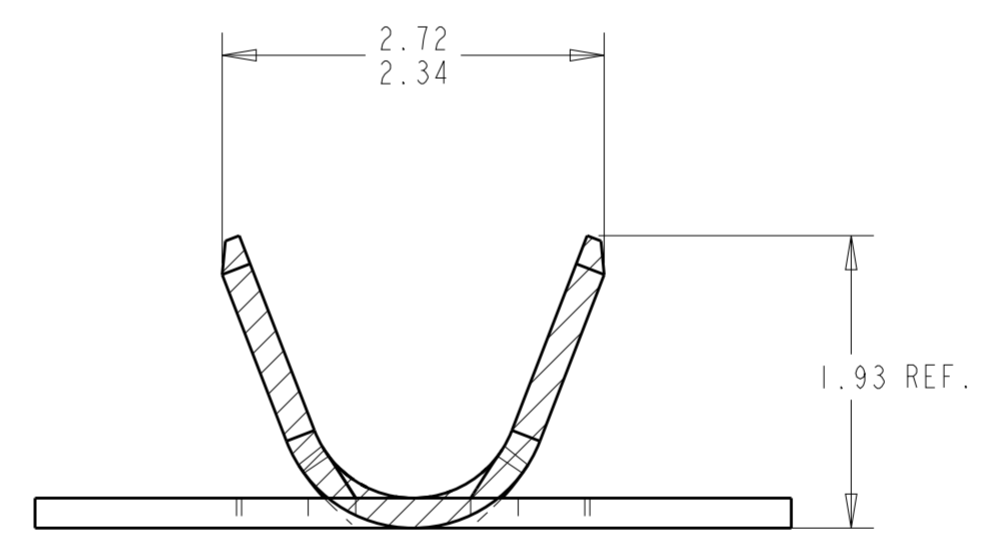
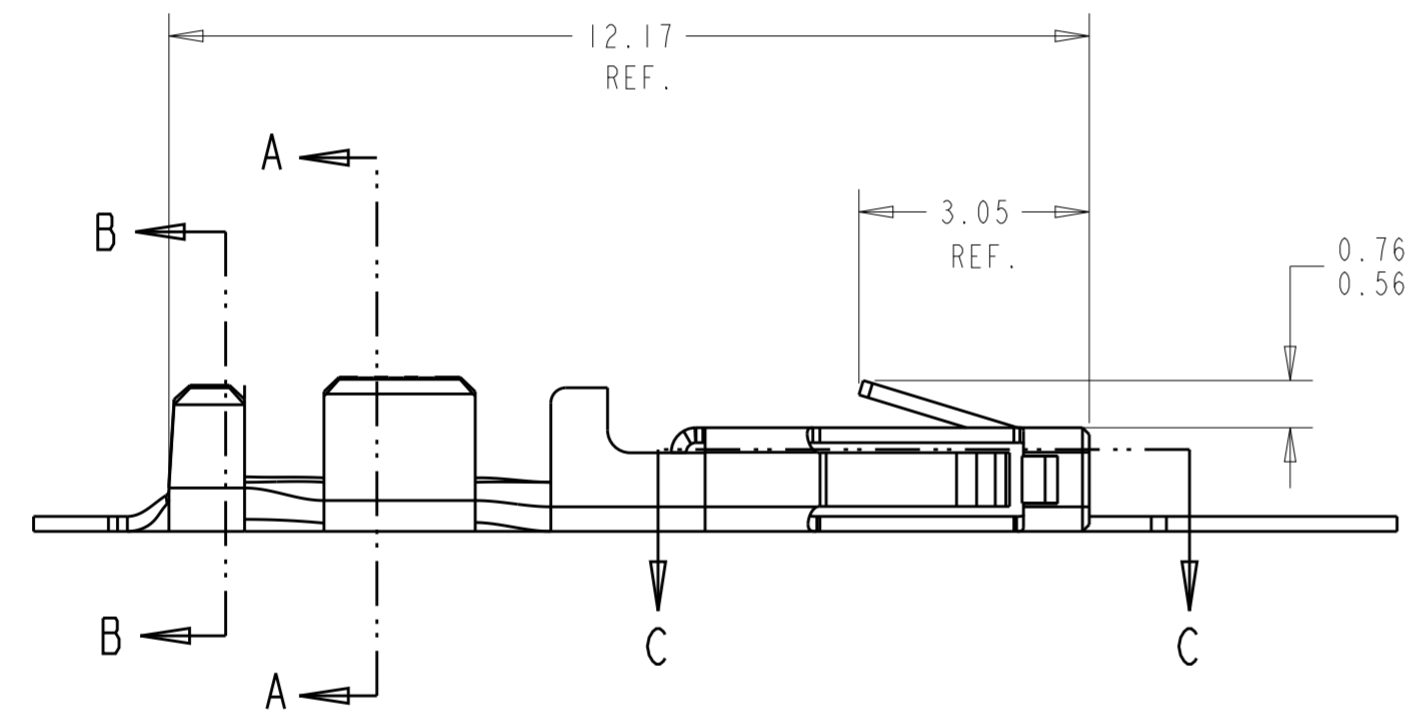
© copyright\_date

REVISIONS					
P	LTR	DESCRIPTION	DATE	DWN	APVD
	A	REVISED BY ECO 19-007699	23MAY2019	WLS	DZ

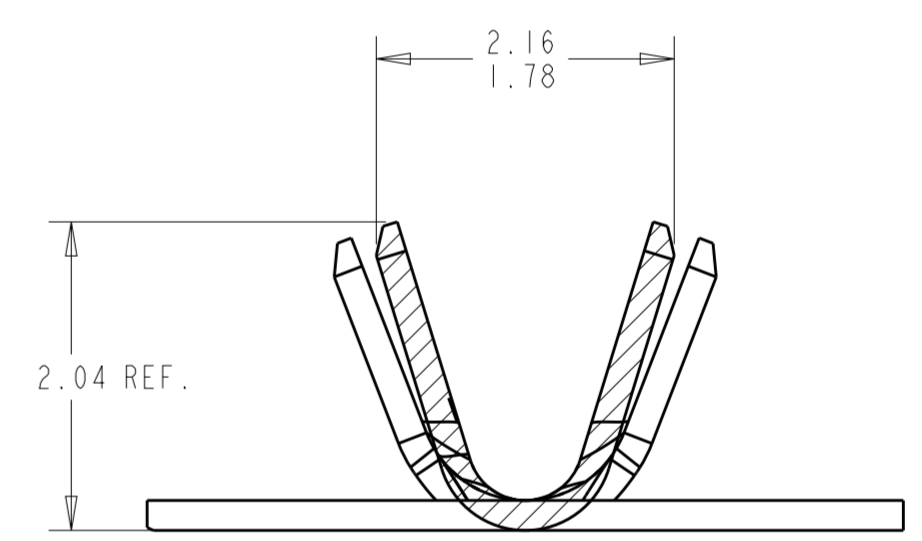


SECTION C-C  
SCALE 20:1

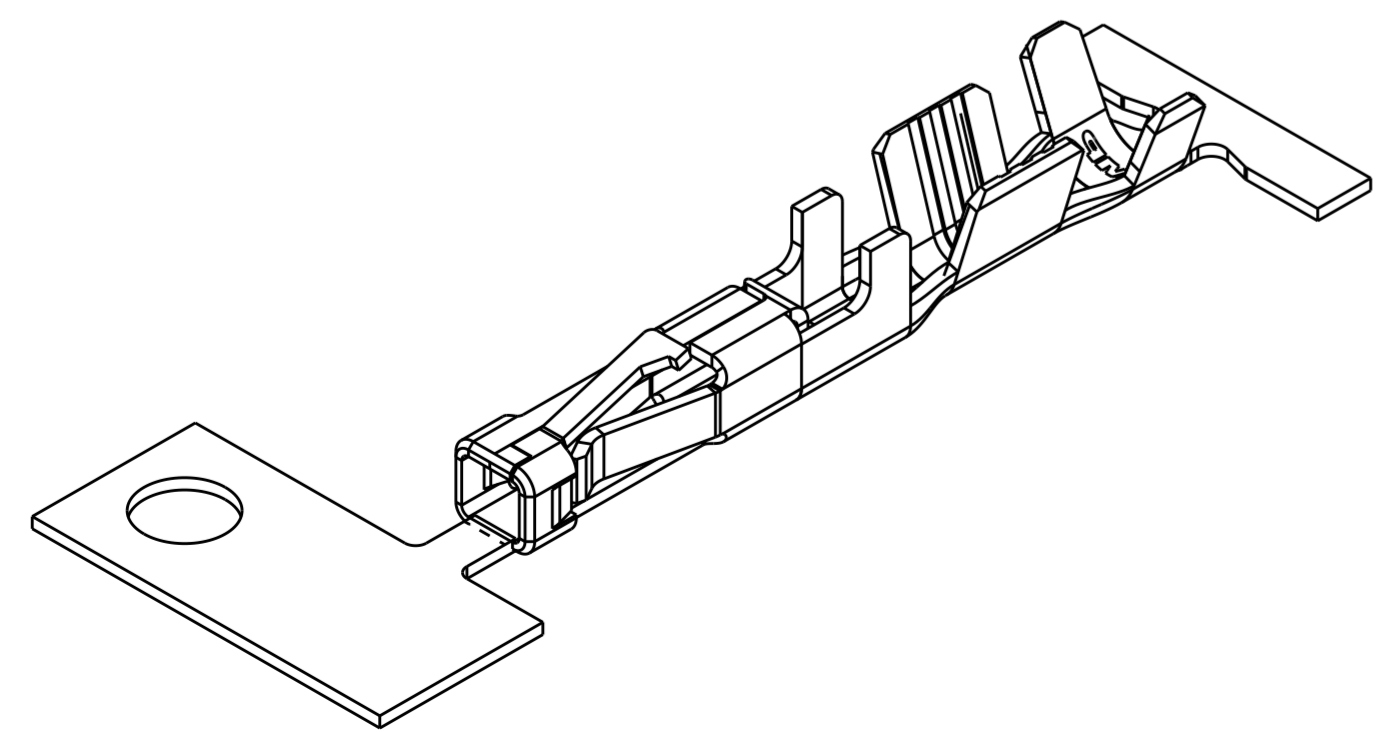
- 1 - 0.0015 - 0.0040 THK BRIGHT TIN.
- 2 - WIRE RANGE : 0.50 MM2.
- 3 - INSULATION RANGE : 0.890 - 1.524 MM.
- 4 - AMP LOGO LOCATED APPROXIMATELY AS SHOWN.



SECTION B-B  
SCALE 20:1



SECTION A-A  
SCALE 20:1



	2825493-1
FINISH	PART NUMBER

THIS DRAWING IS A CONTROLLED DOCUMENT.		DWN W. STEFANI 23MAY2019	TE Connectivity	
DIMENSIONS: mm		CHK MICHAEL DELP 23MAY2019		
TOLERANCES UNLESS OTHERWISE SPECIFIED:		APVD DANIEL ZHANG 23MAY2019	NAME CONTACT, RECEPTACLE, CRIMP, SNAP-IN, MICRO MATE-N-LOK (TM)	
0 PLC ± 1 PLC ± 2 PLC ±0.13 3 PLC ± 4 PLC ± ANGLES ±1° FINISH		PRODUCT SPEC 108-1836	SIZE A2	
MATERIAL 0.2 MM PH BRZ		APPLICATION SPEC 114-13000	CAGE CODE 00779	DRAWING NO C-2825493
SEE TABLE		WEIGHT -	RESTRICTED TO -	
		CUSTOMER DRAWING	SCALE 5:1	SHEET OF REV A