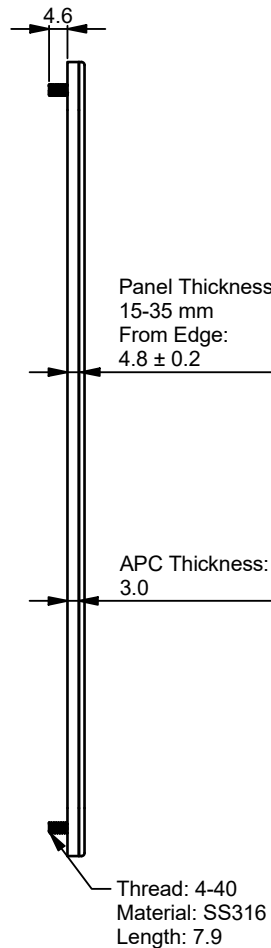
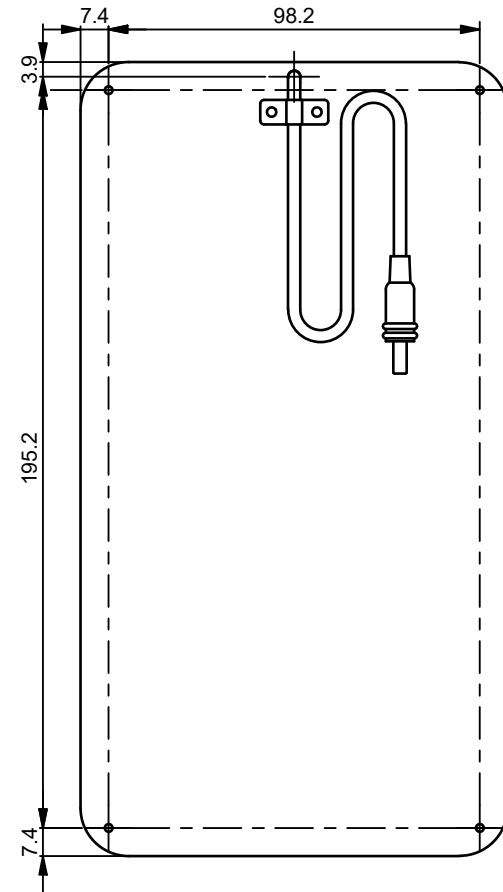


**Front**



**Side**



**Back**



**Drawing Details**

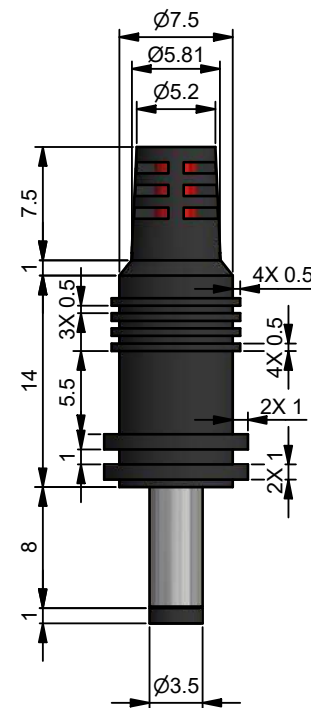
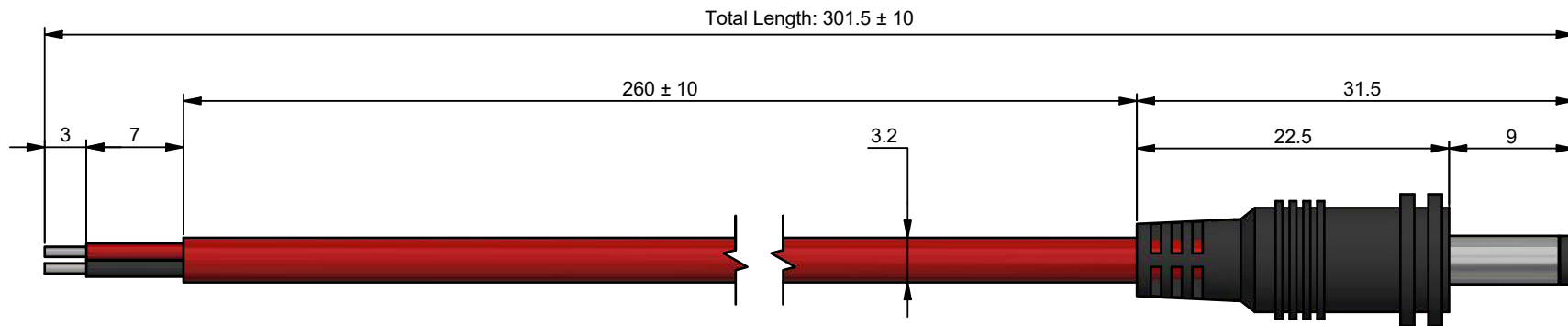
Panel Number:	P103
Revision:	R3B
Engineer:	TK
Checked By:	SM
Date Created:	2017-07-06
Date Modified:	2018-07-23
Changes:	Production Release
Tolerance:	± 0.3
Units:	mm
Scale:	1:2
Sheet:	1/2

**Construction**

All Materials	RoHS Compliant
Substrate:	Charcoal APC
Encapsulant:	Urethane
Top Layer:	Urethane
Wire Number:	W017
Wire Length:	260 ± 10
Strain Relief:	Metal Bracket
Attachment:	4X 4-40 Screws
Waterproof Rating:	IP67

**Power Specifications**

Output Tolerance: ± 10% of Voltage and Current				
Solar Cell: EEPV EE6E3C 3BB				
Nominal Efficiency: ≥ 19.5%		Cell Pieces: 12		
Panel Electrical Ratings		Nominal	Expected	
Open-Circuit Voltage	Voc	7.67	7.28	V
Voltage at Max Power	Vp	6.50	6.18	V
Short-Circuit Current	Isc	0.62	0.60	A
Current at Max Power	Ip	0.58	0.55	A
Maximum Power	Wp	3.79	3.42	W



Drawing Details		Wire Details	
Wire Number:	W017	All Materials RoHS Compliant	
Revision:	R1A	Length:	260 ± 10
Engineer:	TK	Conductor Gauge:	22 AWG
Checked By:	SM	Connector:	M3511
Date Created:	2014-03-18	Crimp:	N/A
Date Modified:	2018-06-28	Jacket Color:	Red
Changes:	N/A	Jacket Material:	PU
Tolerance:	± 0.3	Units:	mm
Scale:	2	Sheet:	2/2
		Insulator Colors:	Black and Red
		Insulator Material:	PVC

This document contains proprietary information and may not be copied or shared without the consent of Voltaic Systems