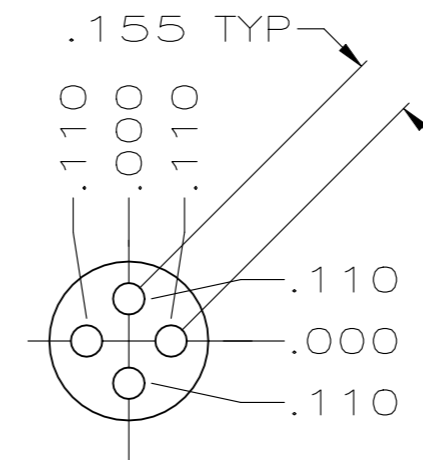
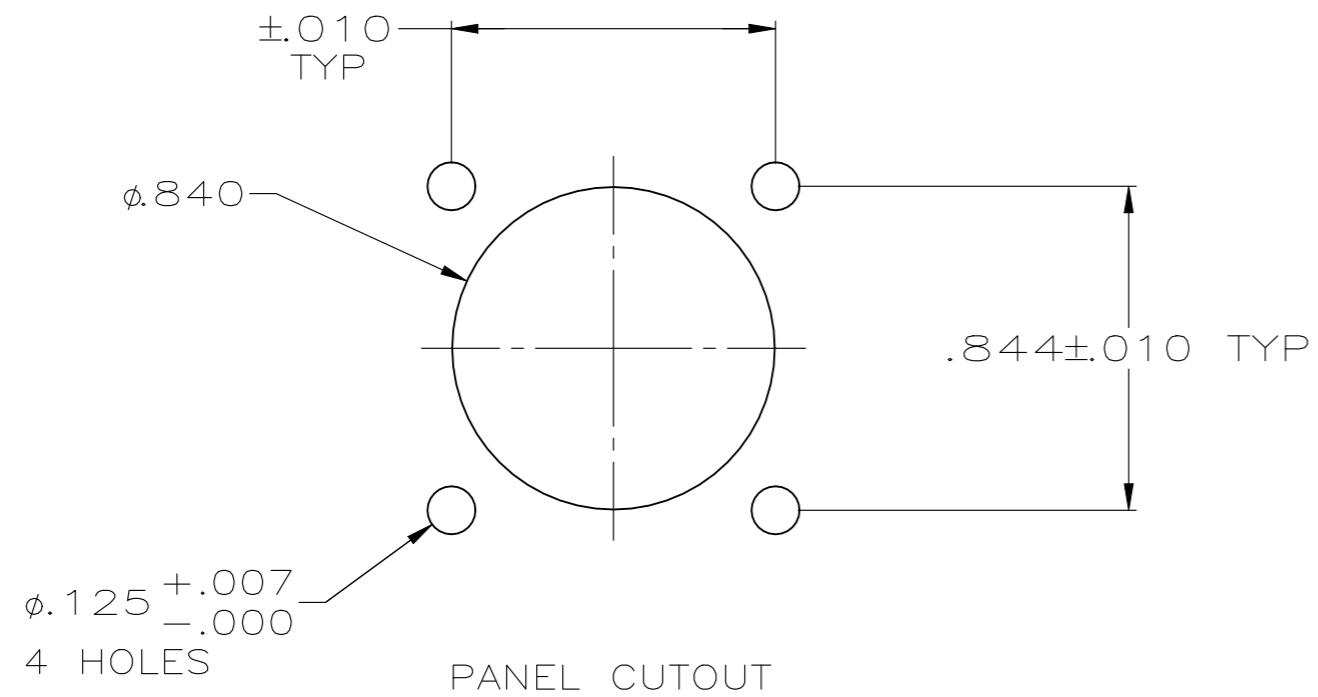
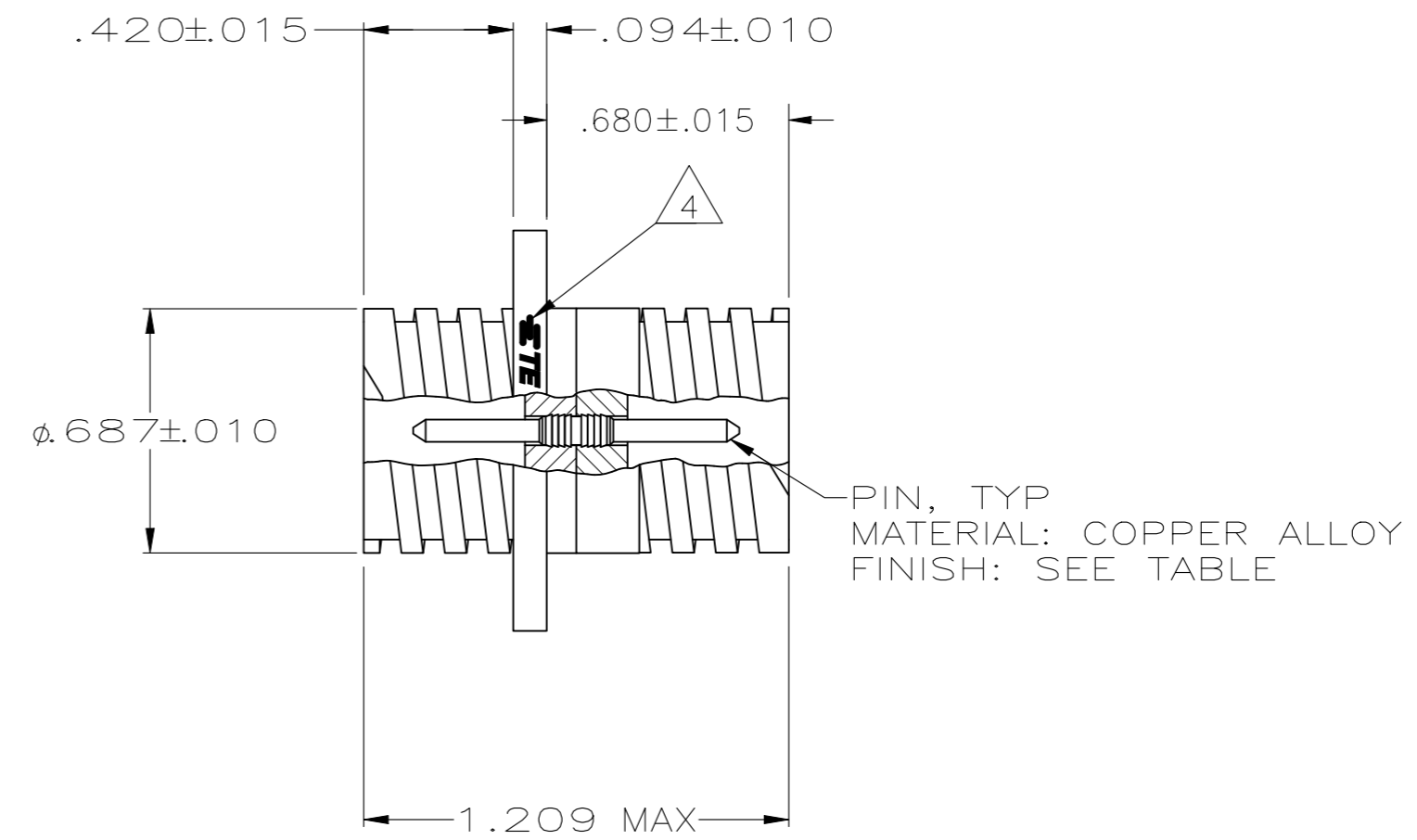
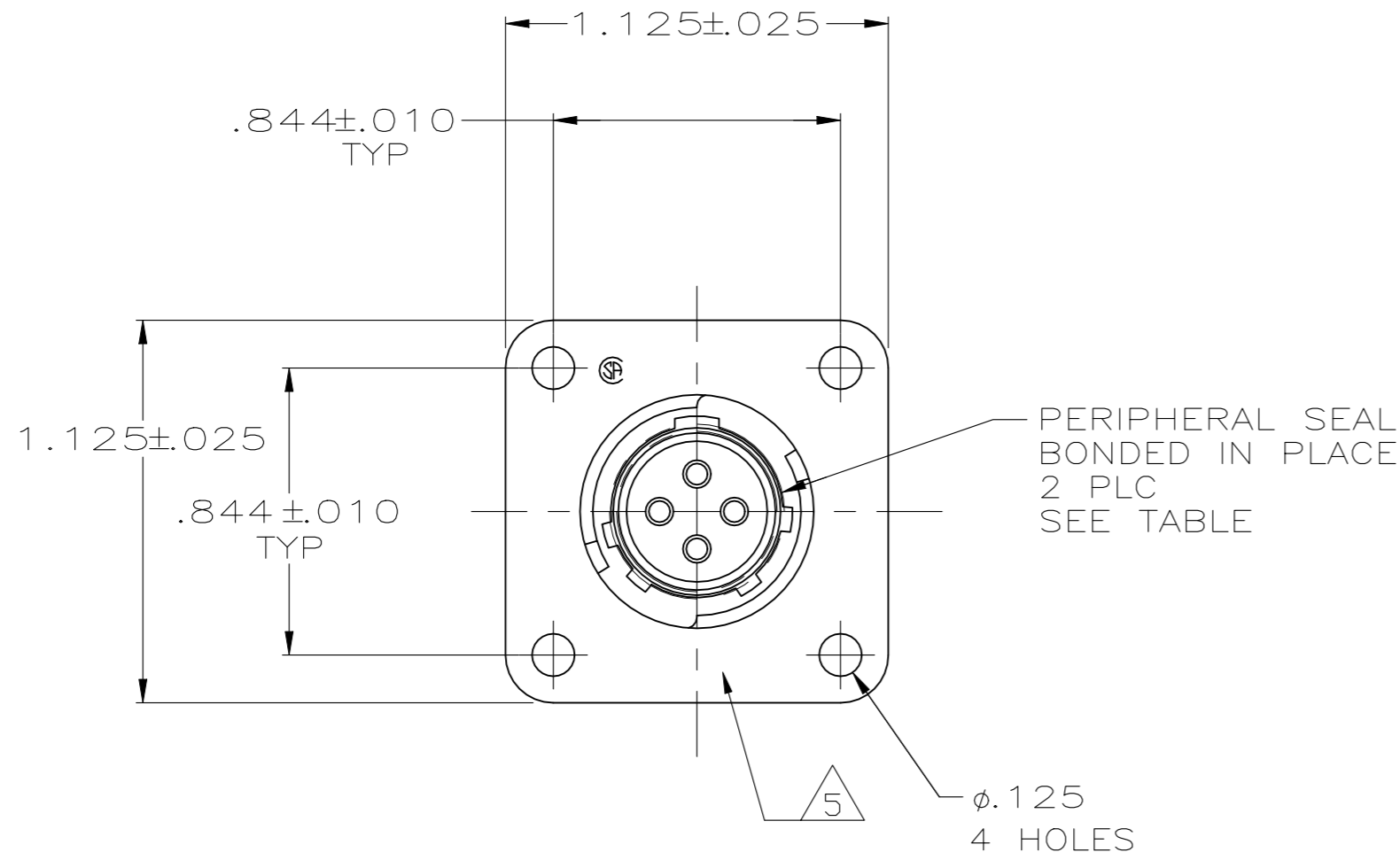


REVISIONS					
P	LTR	DESCRIPTION	DATE	DWN	APVD
G		REVISED PER ECO-21-006948	27OCT2021	RK	MZ



- 1 GOLD PER MIL-G-45204 OVER NICKEL PER QQ-N-290.
- 2 TIN PER MIL-T-10727.
- 3 ACCOMODATES 4 SIZE 16 PIN CONTACTS, PERMANENTLY INSTALLED.
- 4 TE LOGO LOCATED ON ANY FLANGE EDGE
- 5 PART NUMBER LOCATED ANYWHERE ON THIS SURFACE

YES(2)	1	206518-5
NO	1	206518-2
NO	2	206518-1
PERIPHERAL SEAL	CONTACT FINISH	PART NUMBER

THIS DRAWING IS A CONTROLLED DOCUMENT.		DWN	J GALLUCCI BG	5-22-91
DIMENSIONS: INCHES		CHK	W.G.LENKER	4-13-92
TOLERANCES UNLESS OTHERWISE SPECIFIED:		APVD	-	-
0 PLC ± -		PRODUCT SPEC	108-10024	-
1 PLC ± -		APPLICATION SPEC	-	-
2 PLC ± -		WEIGHT	-	-
3 PLC ± .005		SIZE	A2	00779
4 PLC ± -		CAGE CODE	C=206518	-
ANGLES ± -		DRAWING NO	-	-
FINISH SEE TABLE		RESTRICTED TO	-	-
MATERIAL RCPT: THERMOPLASTIC COLOR: BLACK		SCALE	2:1	SHEET 1 of 1
CUSTOMER DRAWING		REV	G	-