



SAW Components

Data Sheet B7731





SAW Components

B7731

Low-Loss Filter for Mobile Communication

881,5 MHz

Data Sheet



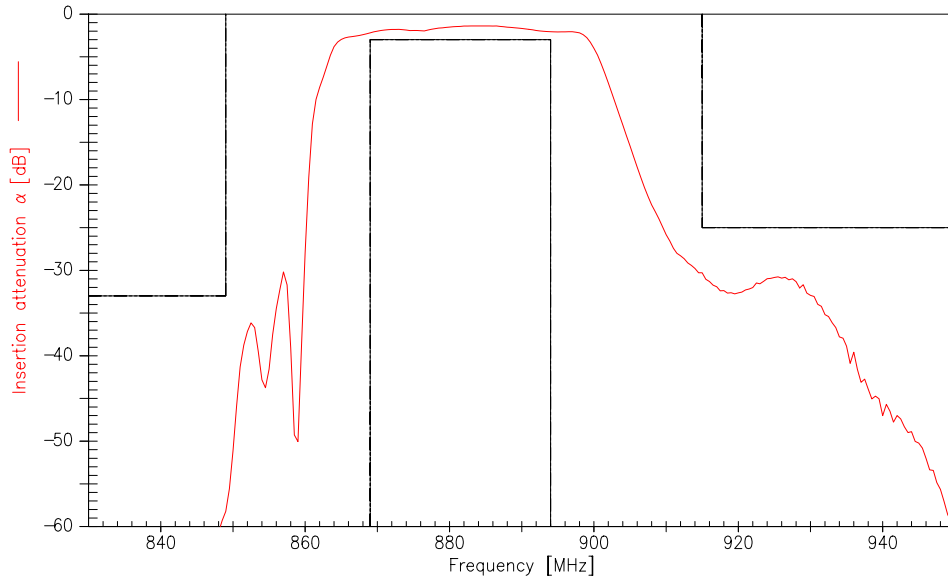
Characteristics

Operating temperature range: $T = -30$ to $+85$ °C
 Terminating source impedance: $Z_S = 50 \Omega$
 Terminating load impedance: $Z_L = 100 \Omega$

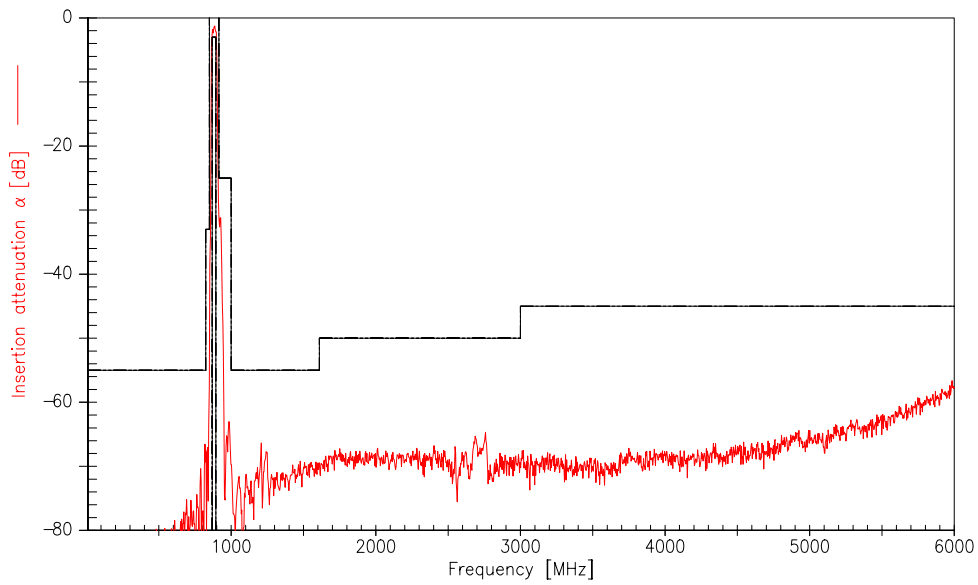
				min.	typ.	max.	
Center frequency		f_C		—	881,5	—	MHz
Maximum insertion attenuation	869,0 ... 894,0	MHz	α_{max}	—	2,4	3,0	dB
Amplitude ripple (p-p)	869,0 ... 894,0	MHz	$\Delta\alpha$	—	1,0	1,6	dB
Input VSWR	869,0 ... 894,0	MHz		—	1,9	2,0	
Output VSWR	869,0 ... 894,0	MHz		—	2,0	2,1	
Attenuation			α				
	0,0 ... 824,0	MHz		55,0	64,0	—	dB
	824,0 ... 849,0	MHz		33,0	50,0	—	dB
	915,0 ... 1000,0	MHz		25,0	31,0	—	dB
	1000,0 ... 1610,0	MHz		55,0	63,0	—	dB
	1610,0 ... 3000,0	MHz		50,0	64,0	—	dB
	3000,0 ... 6000,0	MHz		45,0	68,0	—	dB
Amplitude Imbalance				-0,8	—	0,8	dB
Phase Imbalance				-4,5	—	3,5	degree



Transfer function

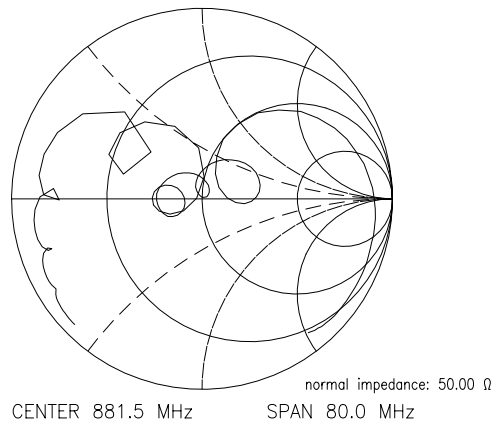
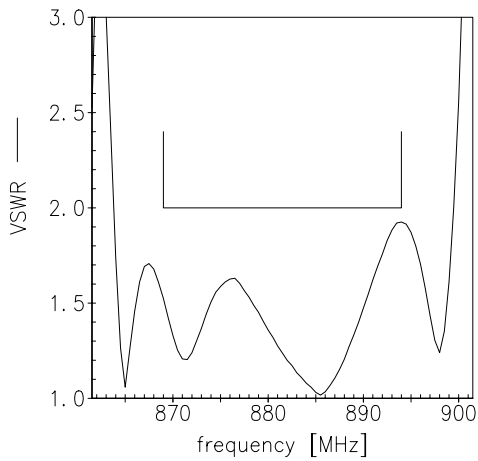


Transfer function (wideband)

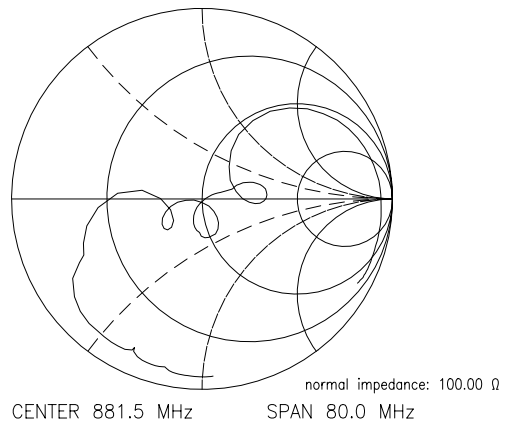
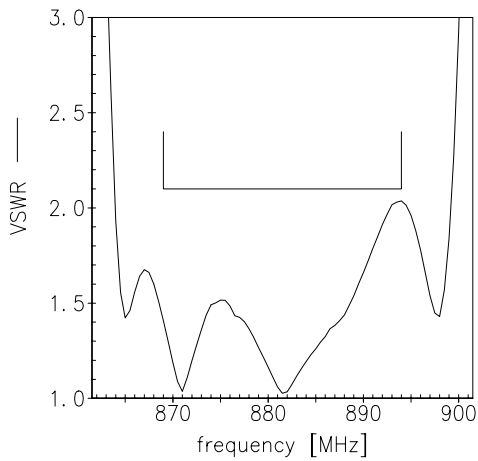




S_{11}

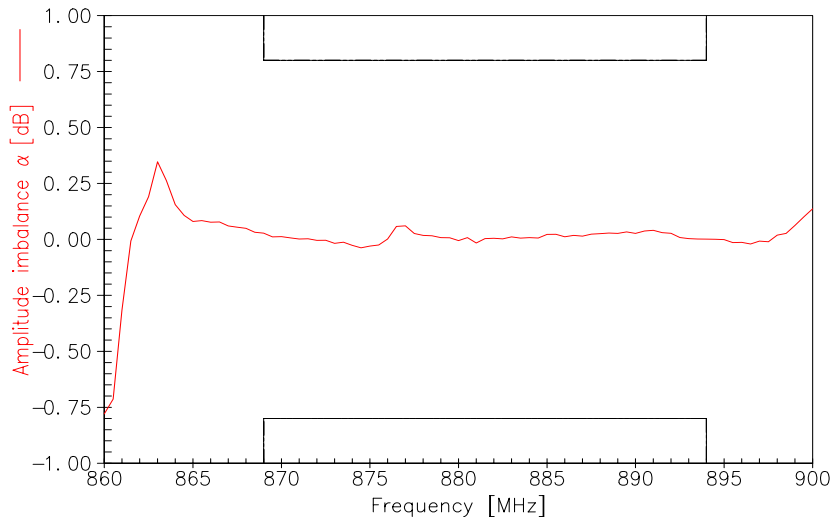


S_{22}

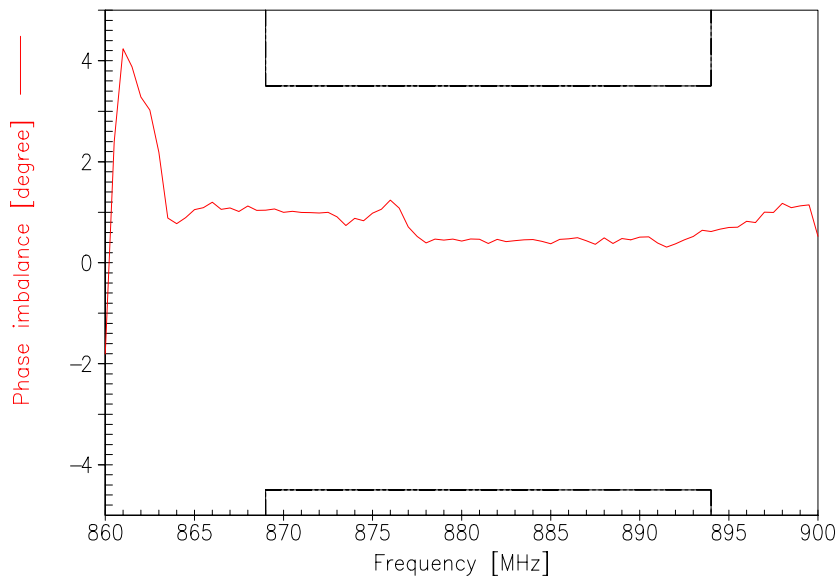




Amplitude imbalance



Phase imbalance





SAW Components

B7731

Low-Loss Filter for Mobile Communication

881,5 MHz

Data Sheet



Published by EPCOS AG

Surface Acoustic Wave Components Division, SAW MC WT

P.O. Box 80 17 09, 81617 Munich, GERMANY

© EPCOS AG 2002. Reproduction, publication and dissemination of this brochure and the information contained therein without EPCOS' prior express consent is prohibited.

Purchase orders are subject to the General Conditions for the Supply of Products and Services of the Electrical and Electronics Industry recommended by the ZVEI (German Electrical and Electronic Manufacturers' Association), unless otherwise agreed.

This brochure replaces the previous edition.

For questions on technology, prices and delivery please contact the Sales Offices of EPCOS AG or the international Representatives.

Due to technical requirements components may contain dangerous substances. For information on the type in question please also contact one of our Sales Offices.