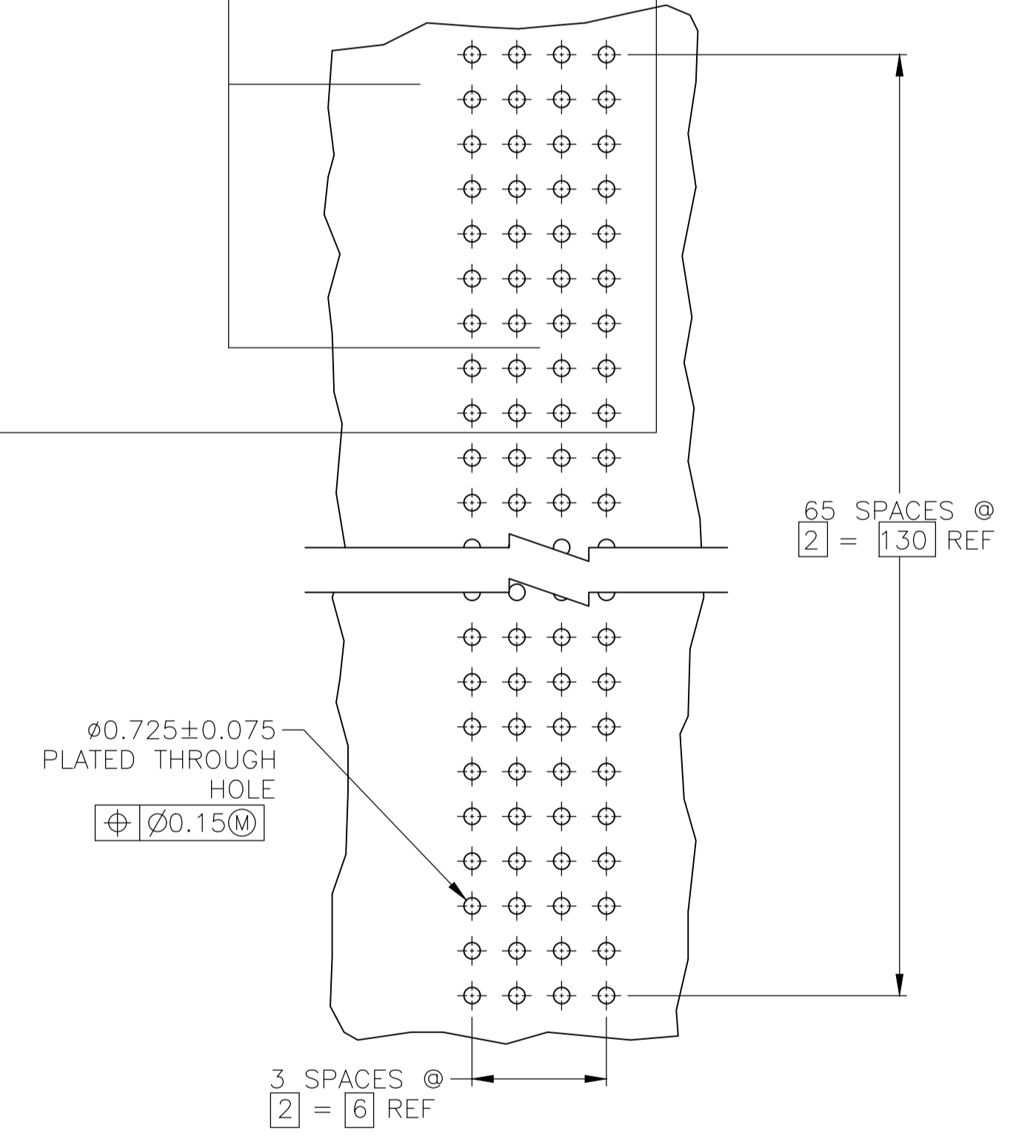
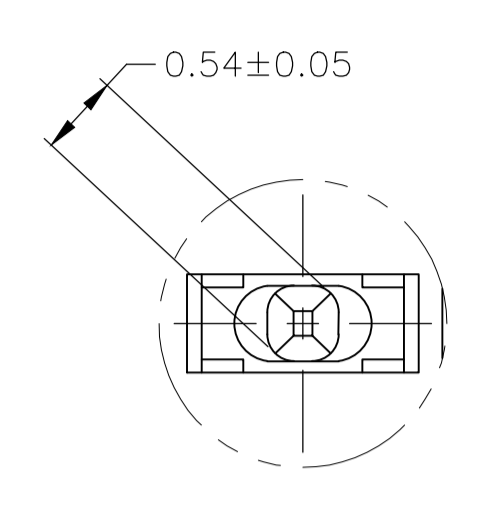
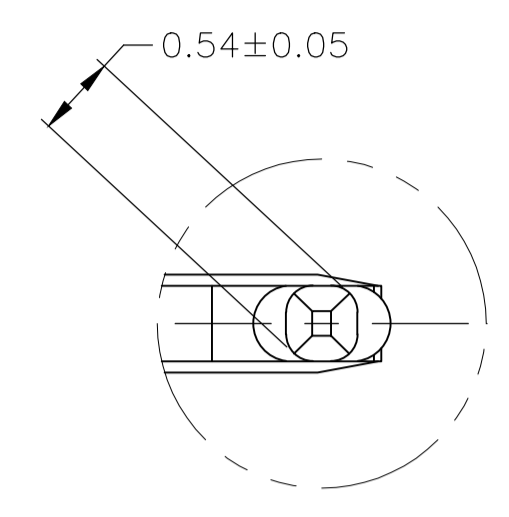
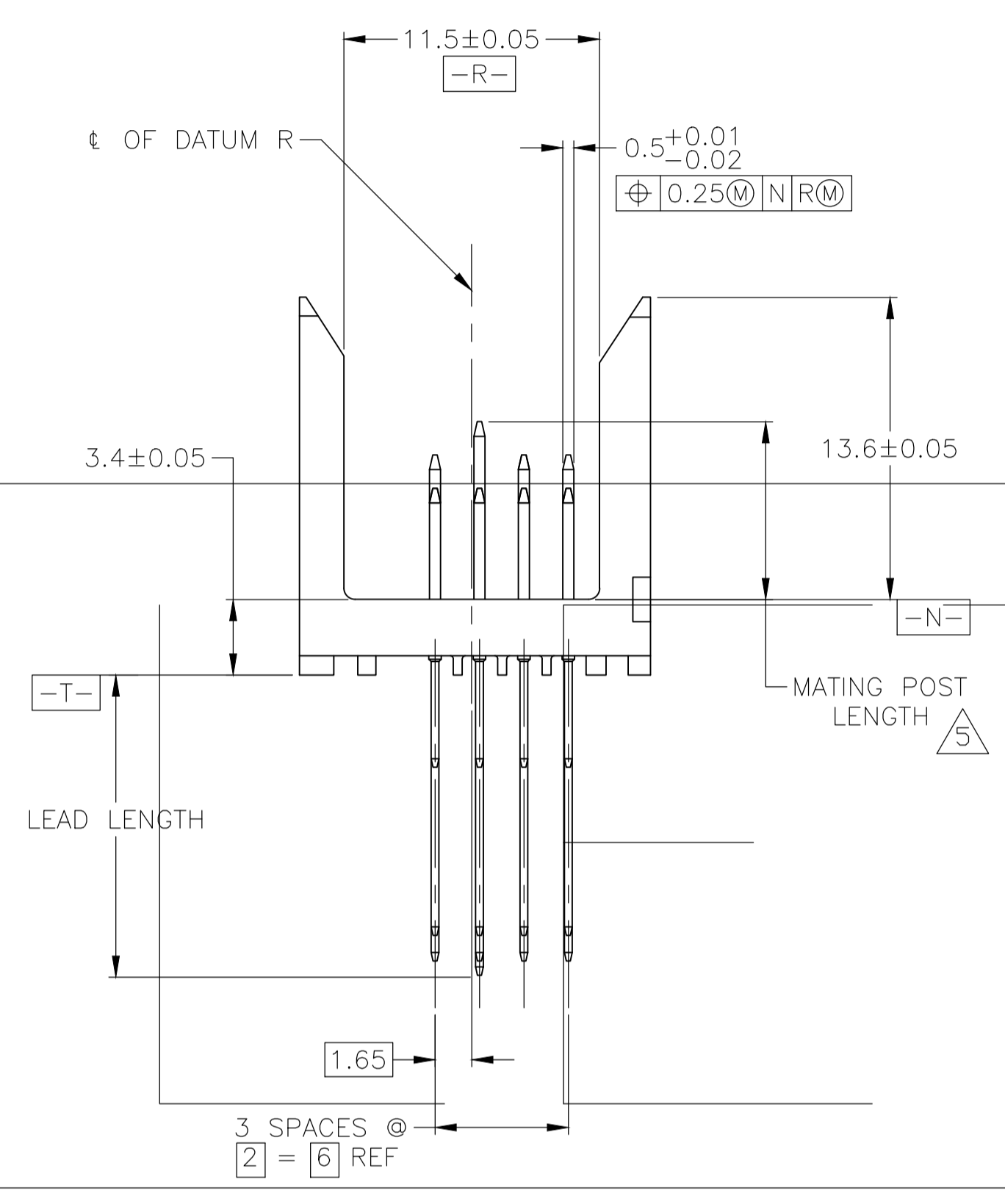
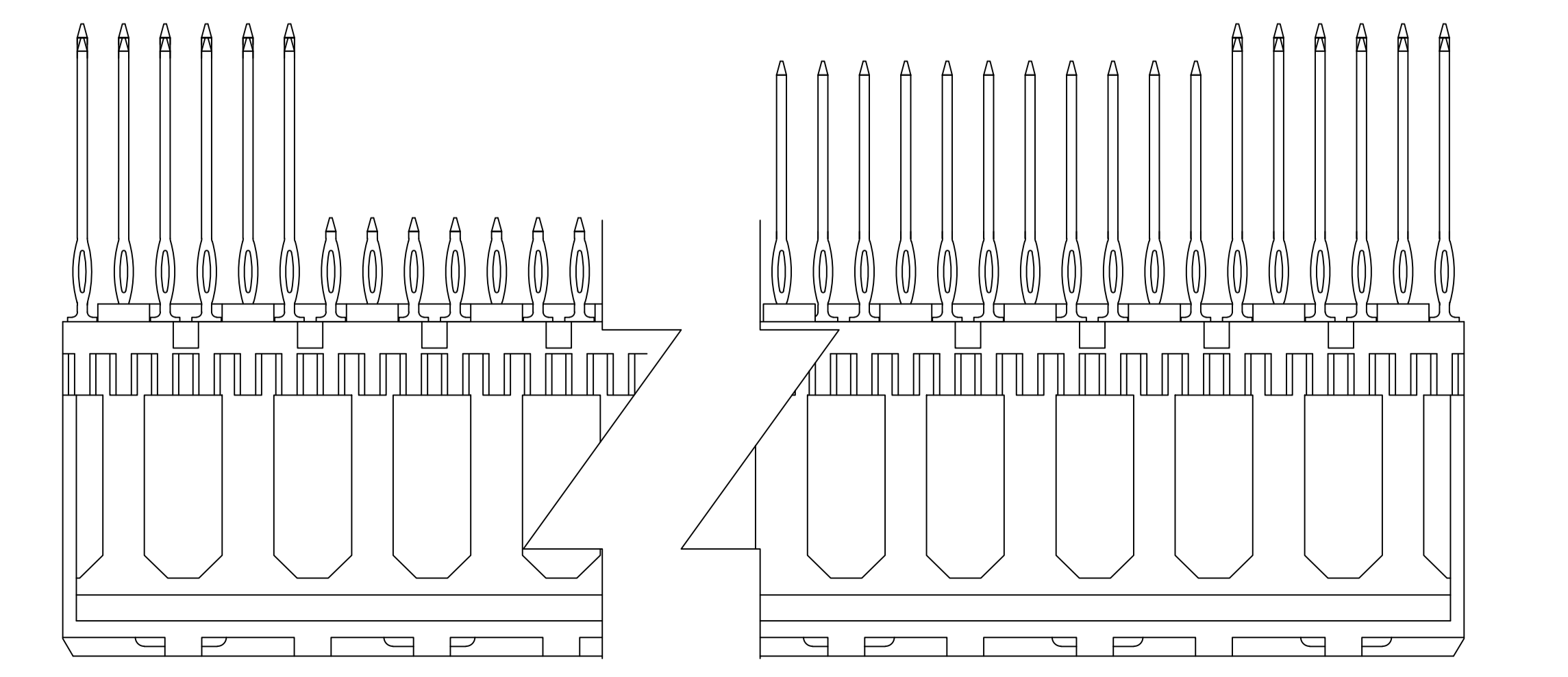
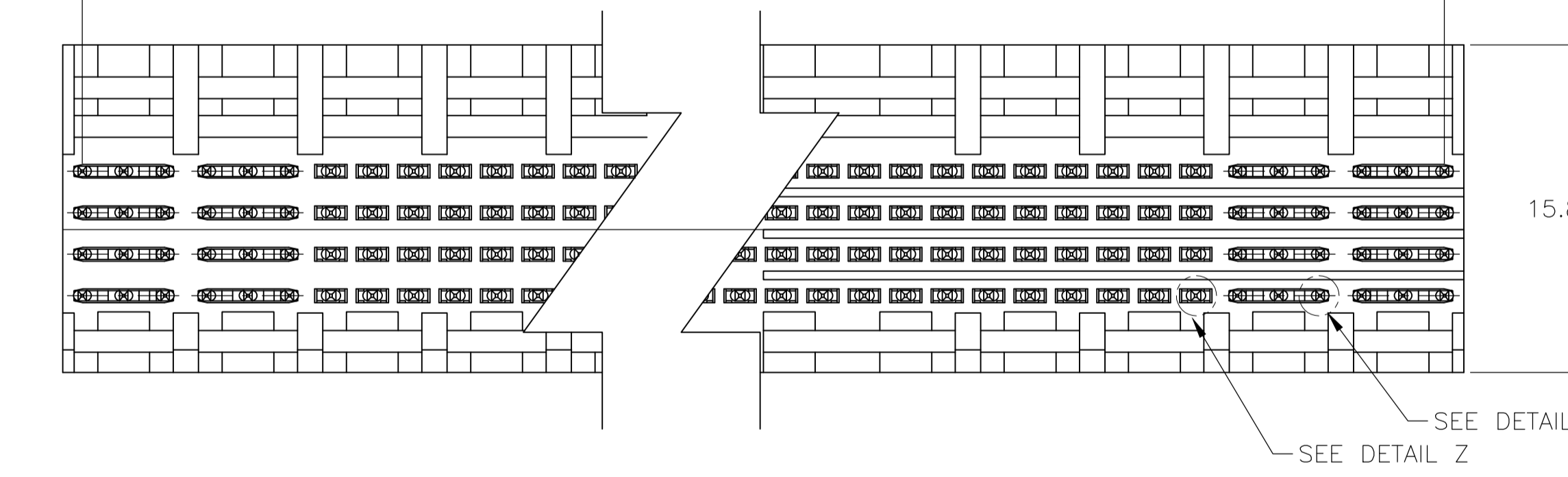
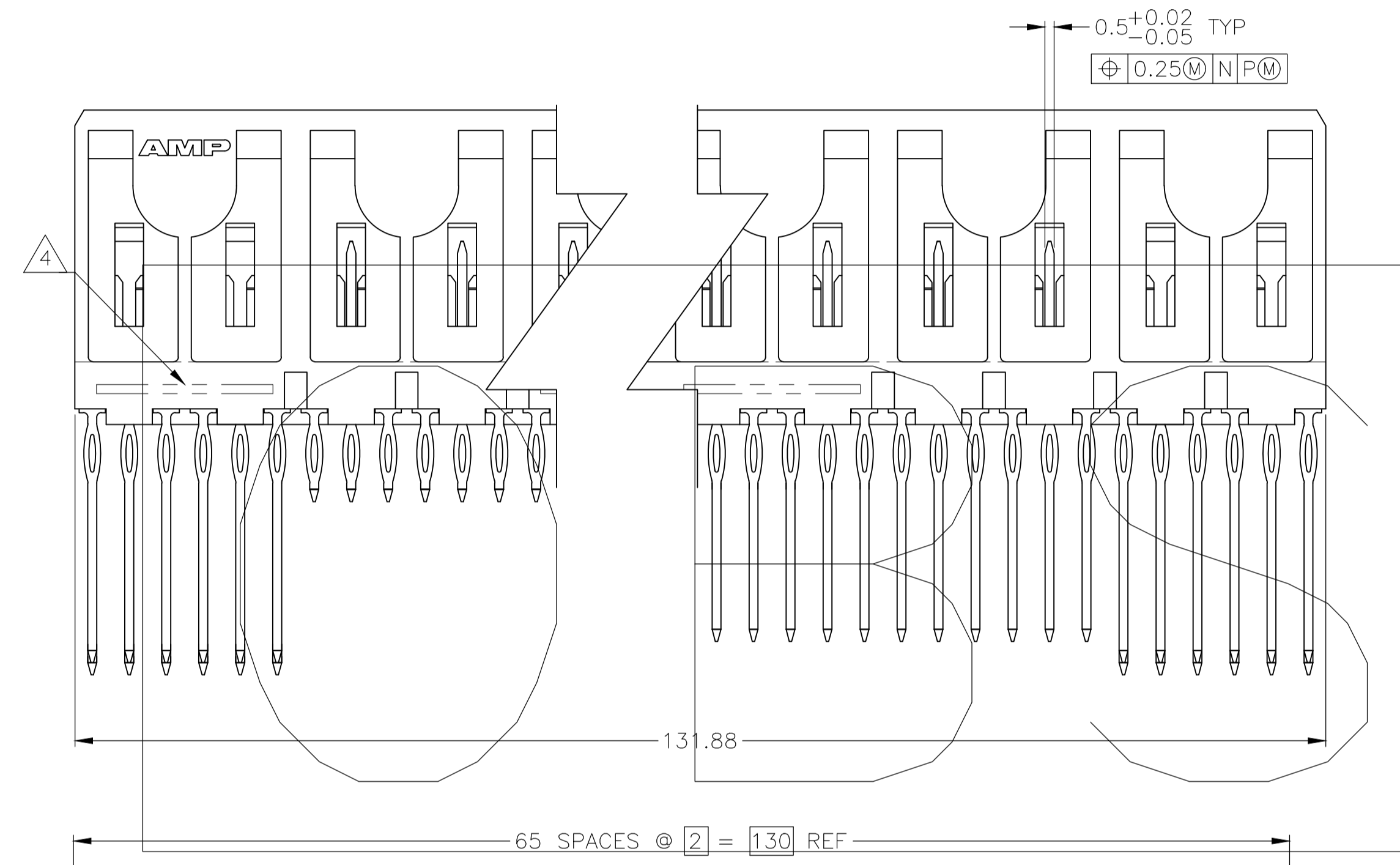
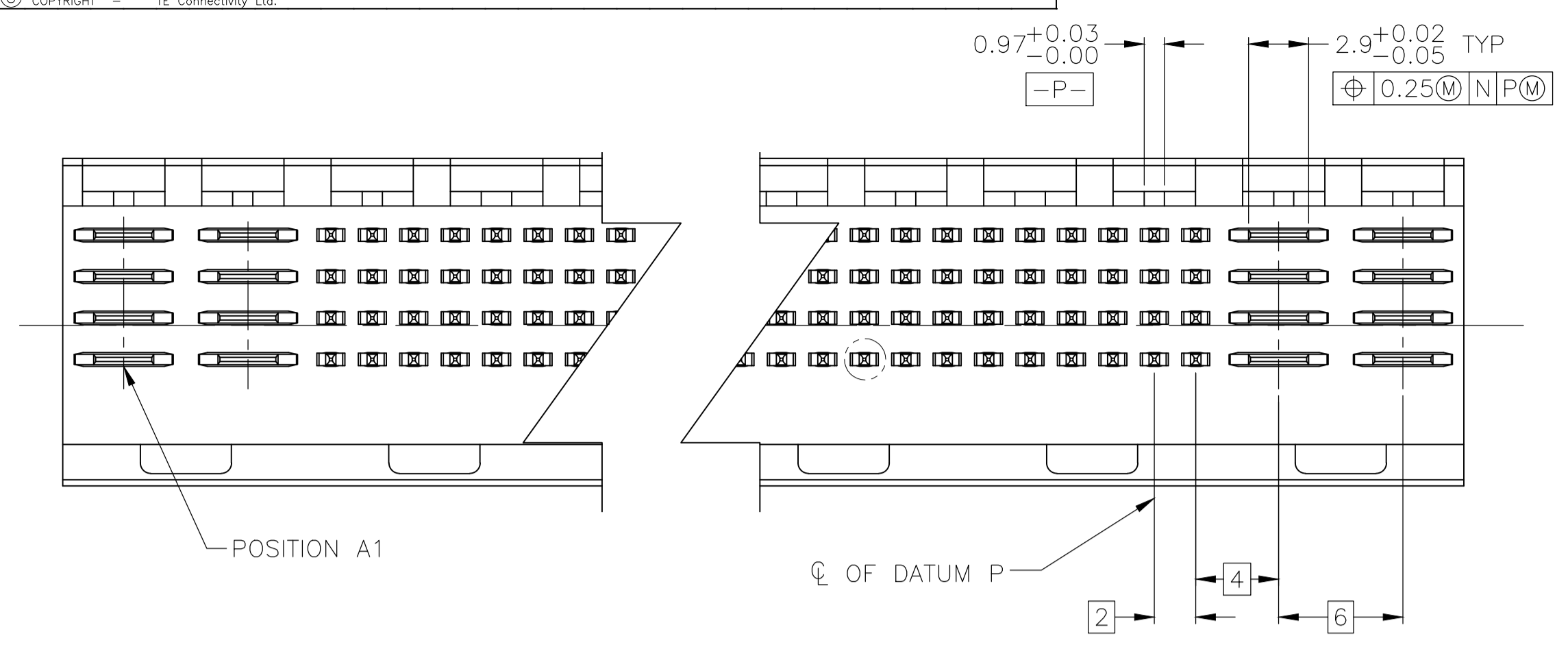


REVISIONS				
P	LTR	DESCRIPTION	DATE	APPV
-	-	SEE SHEET 1	-	-



RECOMMENDED CIRCUIT PATTERN
 PER IPC-D300 TYPE II, CLASS C
 (COMPONENT SIDE)

$\Delta 3$	216	16	5223166-1
FINISH	NO OF SIGNAL POSN	NO OF POWER POSN	PART NUMBER

THIS DRAWING IS A CONTROLLED DOCUMENT.

DIMENSIONS:	TOLERANCES UNLESS OTHERWISE SPECIFIED:	DIN D. HUMBERT 28SEPT2007	APVD A. SHARPE 20AUG2007
UM	0. PLC ± - 1. PLC ± - 2. PLC ± 0.13 3. PLC ± - 4. PLC ± - ANGLES ± -	NAME	PRODUCT SPEC
MATERIAL	FINISH	SIZE	RESTRICTED TO
$\Delta 1 \Delta 2$	$\Delta 3$	A1 00779	5223166
CUSTOMER DRAWING		SCALE 4:1	SHEET 2 OF 2 REV C

STE TE Connectivity Ltd.
 PIN ASSEMBLY, SIGNAL/POWER MIX, FB, PRESS FIT, 8 POWER - 216 SIGNAL - 8 POWER