

4

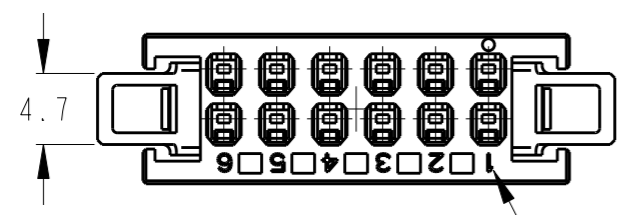
3

2

1

THIS DRAWING IS UNPUBLISHED. RELEASED FOR PUBLICATION 2008  
 © COPYRIGHT 2011 Tyco Electronics Japan G.K. ALL RIGHTS RESERVED.

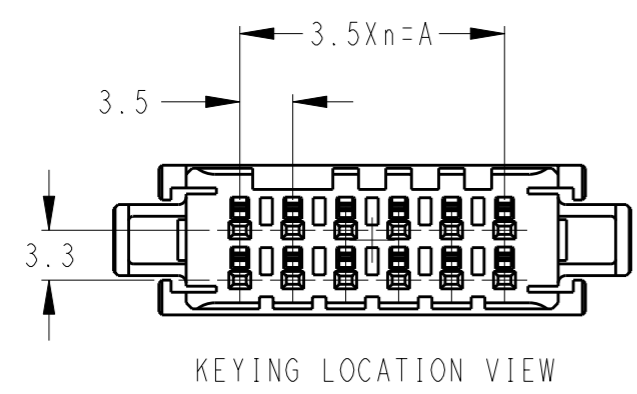
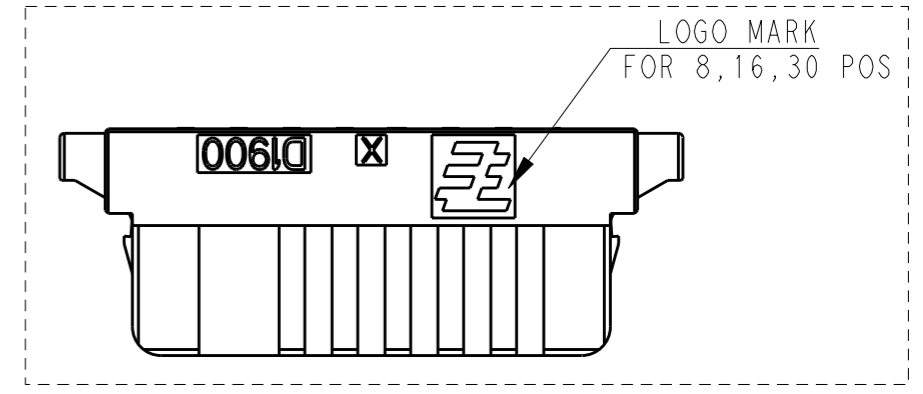
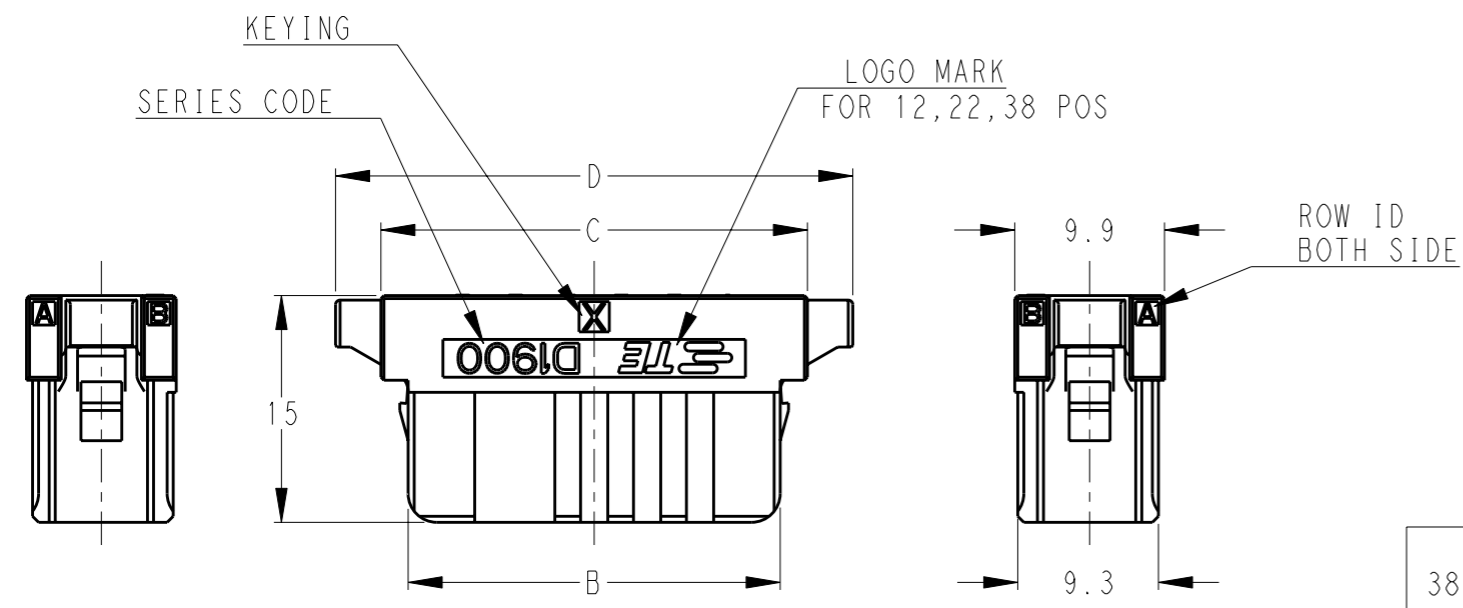
LOC	DIST	REVISIONS			
P	LTR	DESCRIPTION	DATE	DWN	APVD
J		F REVISED	24MAY2011	M. M	N. Y



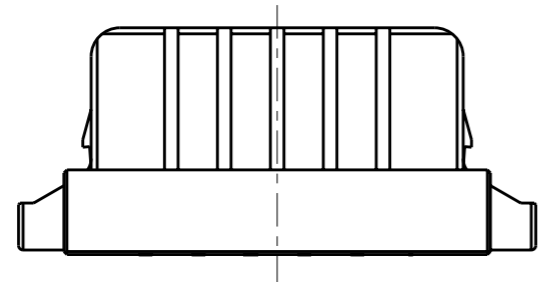
12POS(X-KEY)  
 : 1-1871946-6  
 1-2069575-6  
 1-2069576-6

CIRCUIT NO

△ MATERIAL: GLASS FILED THERMO PLASTIC POLYESTER(94V-0)



POS	n	A	B	C	D	KEY LOCATION	COLOR	PART NO
38	18	63.0	70.1	73.7	79.7		BLACK	2-1871946-9
30	14	49.0	56.1	59.7	65.7		BLACK	2-1871946-5
22	10	35.0	42.1	45.7	51.7		YELLOW	2-2069576-1
							NATURAL	2-2069575-1
							BLACK	2-1871946-1
16	7	24.5	31.6	35.2	41.2		BLACK	1-1871946-8
12	5	17.5	24.6	28.2	34.2	AS SHOWN	YELLOW	1-2069576-6
							NATURAL	1-2069575-6
							BLACK	1-1871946-6
8	3	10.5	17.6	21.2	27.2		YELLOW	1-2069576-4
							BLACK	1-1871946-4



THIS DRAWING IS A CONTROLLED DOCUMENT.

DIMENSIONS: mm

TOLERANCES UNLESS OTHERWISE SPECIFIED: ±0.3, ±5°

MATERIAL: △ 1

FINISH: -

DWN: M. MAEBASHI 09MAY2008  
 CHK: T. KUDO 09MAY2008  
 APVD: S. MANABE 09MAY2008

PRODUCT SPEC: 108-78268  
 APPLICATION SPEC: 114-5377

WEIGHT: -

CUSTOMER DRAWING

STE TE Connectivity

NAME: DYNAMIC D1900D 3.5mm PITCH REC HSG

SIZE: A3 CAGE CODE: 00779 DRAWING NO: C-1871946 RESTRICTED TO: -

SCALE: 2:1 SHEET: 1 OF 1 REV: F