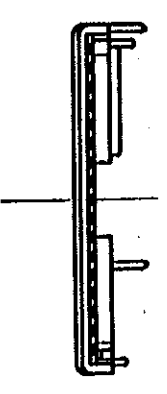
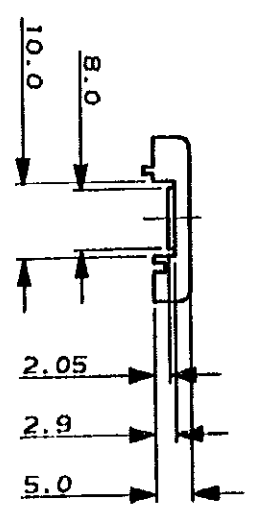
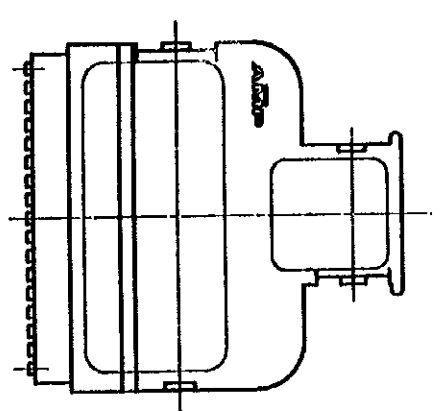
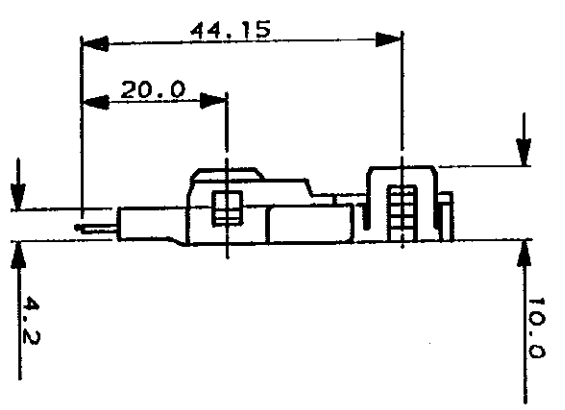
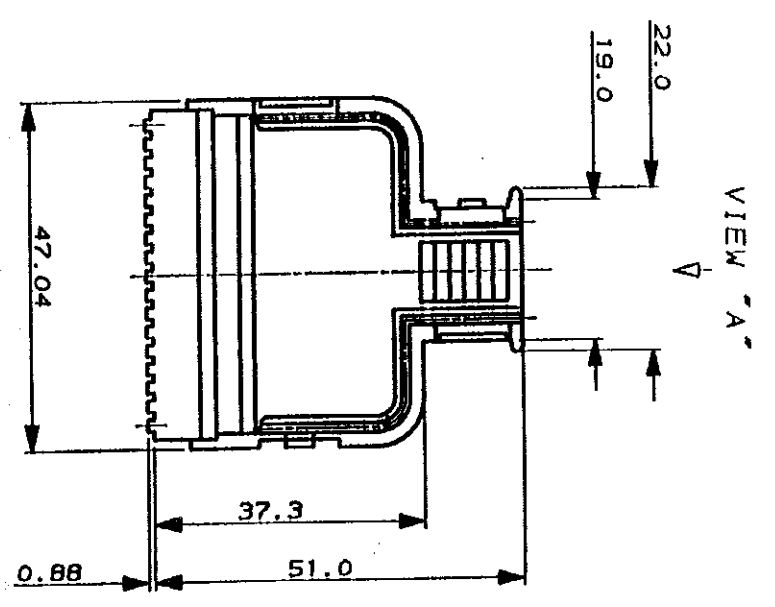
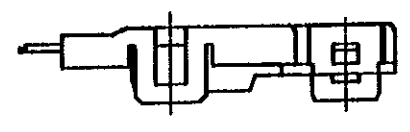


DIMENSIONS IN MILLIMETERS. DO NOT SCALE PRINT

PRINT DIST

REV. 10/78

-1, A5 SHOWN  
-1, 本 図



LTR	REV. RECORD	DR	CHK	DATE
A	REV. RECORD	DR	CHK	DATE

© 1988 BY AMP (Japan) LTD. ALL RIGHTS RESERVED. AMP PRODUCTS COVERED BY PATENTS AND OR PATENTS PENDING		WIRE RANGE # 19 - 40 (AWG)		INSULATION DIA 7.1 - 9.0 mmφ		MATERIAL # 19 - 40 (AWG)		FINISH #		DR. 4/28/89 DE. 4/28/89 DR. 4/28/89 DE. 4/28/89 CHK. T. SASAKI 4/27/89	
NAME CABLE COVER 34P 5-200 CONN. SYSTEM (W-T-B)		GENERAL TOLERANCE 0-10 : ±0.2 10-30 : ±0.25 30-100 : ±0.3 ANGLES : ±3°		AMP AMP (JAPAN) LTD. Tokyo, Japan		SIZE A3		LOC J		NUMBER C-175600	
SCALE 1-1		REV. A		SHEET 1 OF 1		CUSTOMER DRAWING					