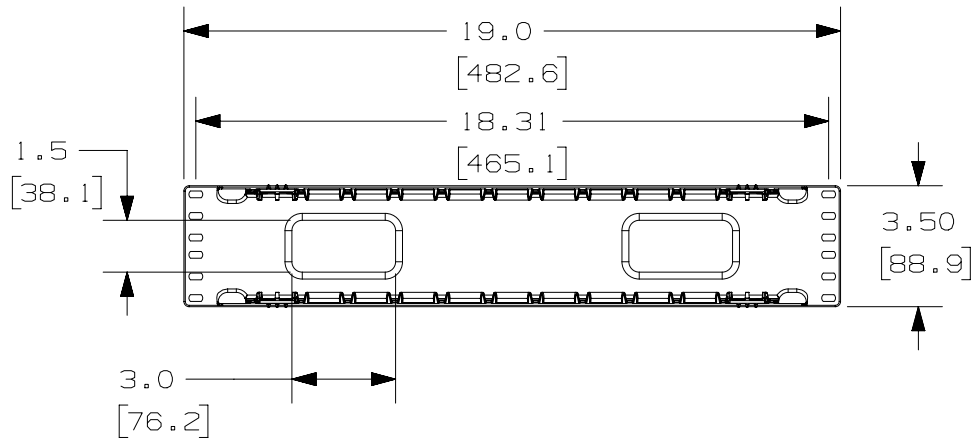


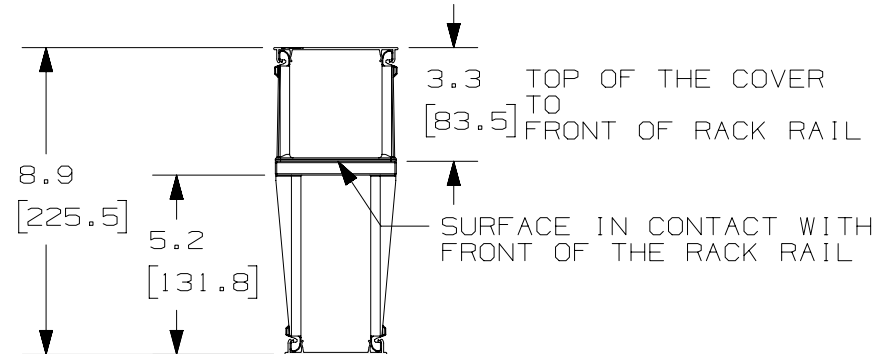
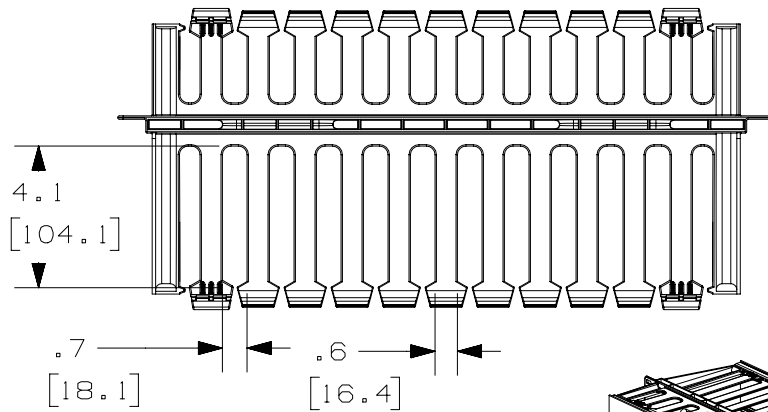
THIS COPY IS PROVIDED ON A RESTRICTED BASIS AND IS NOT TO BE USED IN ANY WAY DETRIMENTAL TO THE INTERESTS OF PANDUIT CORP.



PANDUIT P/N	WEIGHT
WMP1E	2.3 LBS/EACH 1043 g/EACH
WMP1E-V (5 PARTS/CARTON)	11.5 LBS/EACH 5.2 Kg/EACH

NOTES:

- DESIGNED FOR MOUNTING ON 19" EIA RACKS.
- COMPONENTS:
1- MANAGER
2- 17" X 3.6" DUAL HINGED COVERS
4- #12-24 X 1/2" SCREWS
- DIMENSIONS IN PARENTHESES ARE METRIC.



TITLE		WMP1E HORIZONTAL MANAGER	
CUSTOMER DRAWING			
ITEM REVISION NAME	V10101AA/08	PANDUIT	
DATASET FILE NAME	V10101AA_DC/08A		
UNLESS OTHERWISE SPECIFIED, DIMENSIONAL TOLERANCES ARE: IN (mm)		MATERIAL:	
.X ± .XX ±		ABS	
.XXX ± ANGLES ±		DRAWING NUMBER:	
THIRD ANGLE PROJECTION		V10101AA-DC	
DRAWN BY	DATE	CHK	SCALE
JDWE	12-17-02	MECA	NONE
SHT 1 OF 1		A	

REV	DATE	BY	CHK	APR	DESCRIPTION	ECN
08A	3-26-15	TWV	MACA	KRKE	BOM ADJUSTMENT; REVISED NOTES.	V10101AA-DC
07D	4-22-13	BAME	RYB	CMK	REVISED AND REDRAWN; ALL PREVIOUS REVS OMITTED UPDATED TITLE BLOCK	V10101AA-DC

D10100DA/15