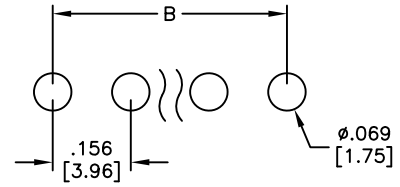
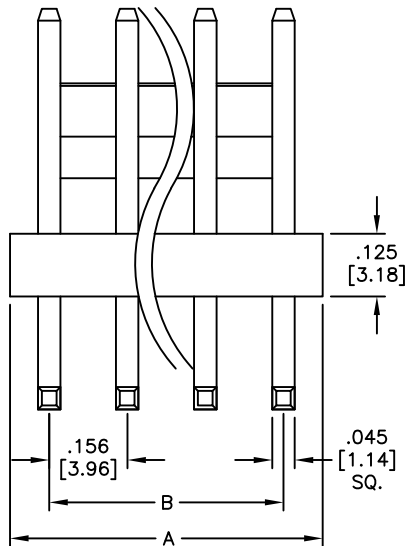
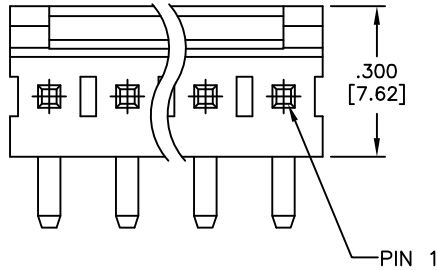
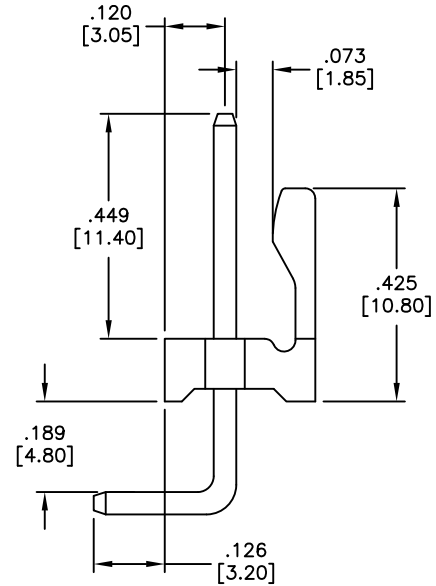


APPROVED: \_\_\_\_\_  
 DATE: \_\_\_\_\_ TITLE: \_\_\_\_\_

Rev	AWO #	Description	Date	Appr
-		RELEASED	6/18/10	
A		ECN	12/8/10	
B		REVISED DIM.	2/17/14	AY/MY
C		REVISED SPEC.	2/24/20	AY/KL



RECOMMENDED PCB LAYOUT



Positions: 2 thru 20  
 A = .156 [3.96] x No. of Positions  
 B = .156 [3.96] x No. of Spaces

**SPECIFICATIONS:**  
 Material:  
 Insulator: Ny66, rated UL 94V-0  
 Insulator color: White  
 contact: Brass  
 Plating:  
 Tin over Nickel underplate overall  
 Electrical:  
 Current rating: 7.0 Amp  
 Contact Resistance: 20 mohms max.  
 Insulation resistance: 1,000 Mohms min  
 Dielectric withstanding voltage: 1,000 VAC/DC  
 Temperature Rating:  
 Operating temperature: -40°C to +105°C  
 Environmental:  
 Lead free, RoHS compliant



UNLESS OTHERWISE SPECIFIED  
 ALL DIMENSIONS ARE INCHES [MM]  
 TOLERANCES: EXCEPT AS NOTED

INCHES		HOLES	
.X	± .10	∅X	± .10
.XX	± .020	∅XX	± .015
.XXX	± .015	∅XXX	± .010

**ADAM**  
**TECH**  
**INTERCONNECTS**

909 Rahway Avenue,  
 Union, NJ 07083  
 Phone: 908-687-5000  
 Fax: 908-687-5710

APPROVALS		DATE
DRAWN	DY	6/18/10
CHECKED		
APPROVED		

TITLE <b>.156 [3.96] HEADER, RIGHT ANGLE</b>		
SIZE X	PART NO. LHD-XX-TRA-V0	REV. C
REF: S00019C	SCALE: NTS	SHEET 1 OF 1