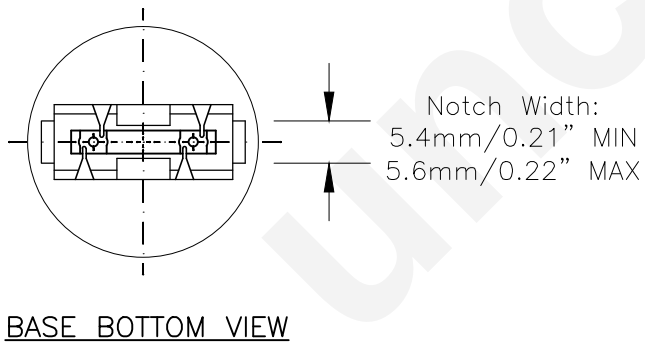
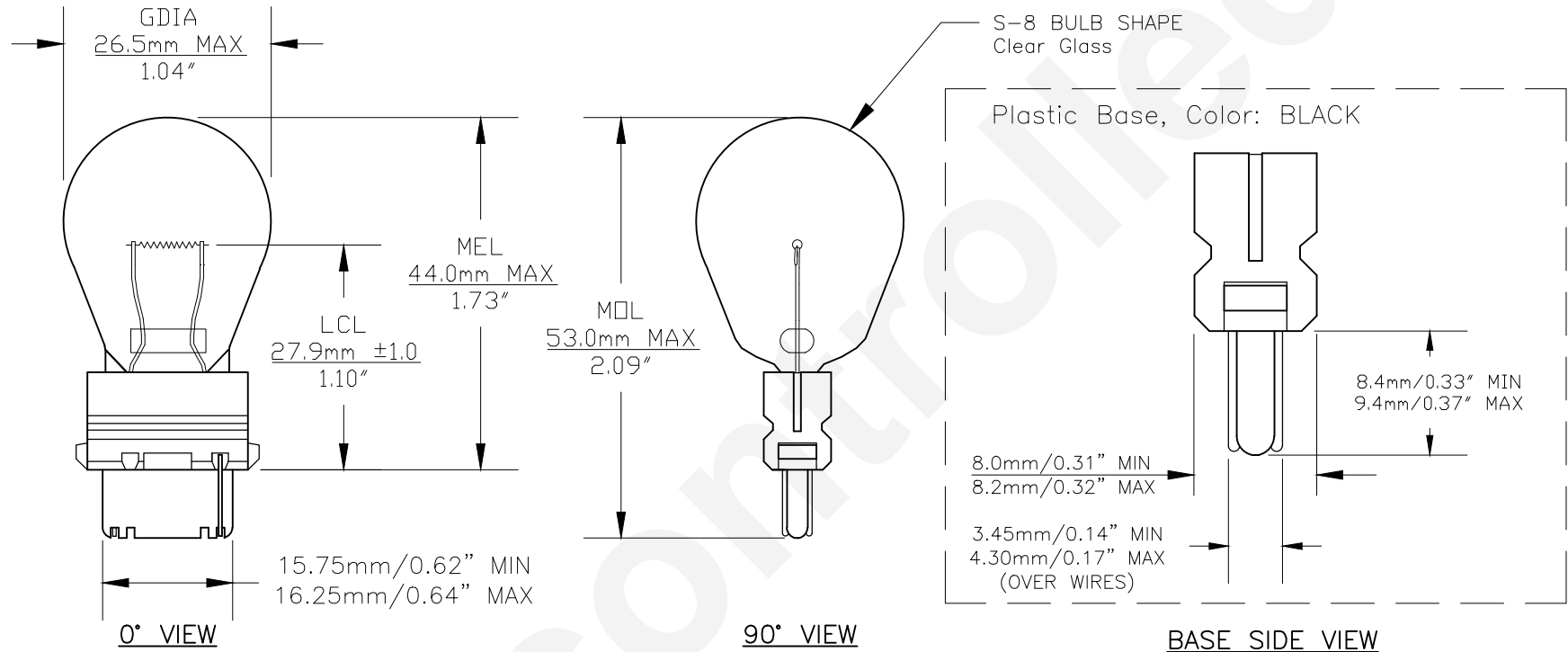




PART NO.	BASE TYPE	DESIGN VOLTS	DESIGN AMPS	MSCD	FILAMENT TYPE	AVERAGE LIFE HOURS
4156LL	S.F. Plastic Wedge W2.5X16q	12.8V	2.23±5%	24±30%	C-6	4000

REVISIONS			
REV #	DESCRIPTION	DATE	APPROVED
1	ISSUED	05/22/2014	R.M.



Note: Made according to SAE specifications



UNLESS OTHERWISE SPECIFIED: DIMENSIONS ARE IN INCHES TOLERANCES		CEC INDUSTRIES LTD			
DECIMALS	ANGULAR	599 BOND STREET		LINCOLNSHIRE, IL 60069	
.XX ± .05	± 0.5°	TITLE LIGHT BULB NO. 4156LL			
.XXX ± .010		DATE	05/22/2014	SIZE	A
FRACTIONAL	± 1/64	CHECKED		FSCM NO.	DWG NO.
		DESIGN		4156LL	REV 1
		MATERIAL		SCALE	PLOT SCALE
				SHEET	1 OF 1
				FILE	4156LL.pdf
				DRAWING NOT TO SCALE	