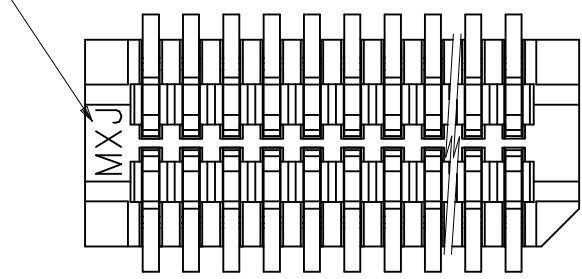


注記 NOTES

1. 嵌合相手 : 52465,52588 シリーズ  
MATES WITH : 52465,52588 SERIES
2. ウエハの ㊦ から隣接するピンの ㊦ 迄の位置を示す。  
SHOW POSITION FROM ㊦ OF WAFER TO ㊦ OF ADJACENT PINS.
3. 本製品は 53364-\*\*-27 の鉛フリー品である。  
THIS PRODUCT IS LEAD FREE OF 53364-\*\*-27.

トレードマーク TRADE MARK



0.4	16.2	15.3	13.6	53364-3629	36
0.8	13.8	12.9	11.2	53364-3029	30
0.4	9.8	8.9	7.2	53364-2029	20
0.8	9.0	8.1	6.4	53364-1829	18
D	C	B	A	MATERIAL NO.	極数 CKT.

REVISED EC NO: J2016-1237 DRWN: MISHIKAWA CHKD: Y0110 APPR: Y0110	DESCRIPTION 2016/06/07 2016/06/07 2016/06/16	GENERAL TOLERANCES (UNLESS SPECIFIED)		DIMENSION STYLE	SCALE	DESIGN UNITS	THIRD ANGLE PROJECTION	
				MM ONLY	10:1	METRIC		
		0.25 UNDER	UNDER	±0.2	DRAWN BY	DATE		TITLE
		0.25 OVER	0.5 UNDER	±0.2	M. NABEI	'04/03/09		0.8 BOARD TO BOARD CONN. WAFFER ASSY ST.SMT -LEAD FREE-
0.5 OVER	1.0 UNDER	±0.2	CHECKED BY	DATE			molex	
1.0 OVER	10 UNDER	±---	K. TOJO	'04/03/09				
10 OVER	30 UNDER	±---	APPROVED BY	DATE				
30 OVER		±---	M. SASAO	'04/03/09				
ANGULAR ±1 °		DRAFT WHERE APPLICABLE MUST REMAIN WITHIN DIMENSIONS		MATERIAL NO.	DOCUMENT NO.	SHEET NO.		
				SEE CHART	SD-53364-003	1 OF 2		

THIS DRAWING CONTAINS INFORMATION THAT IS PROPRIETARY TO MOLEX ELECTRONIC TECHNOLOGIES, LLC AND SHOULD NOT BE USED WITHOUT WRITTEN PERMISSION

10 9 8 7 6 5 4 3 2 1

F

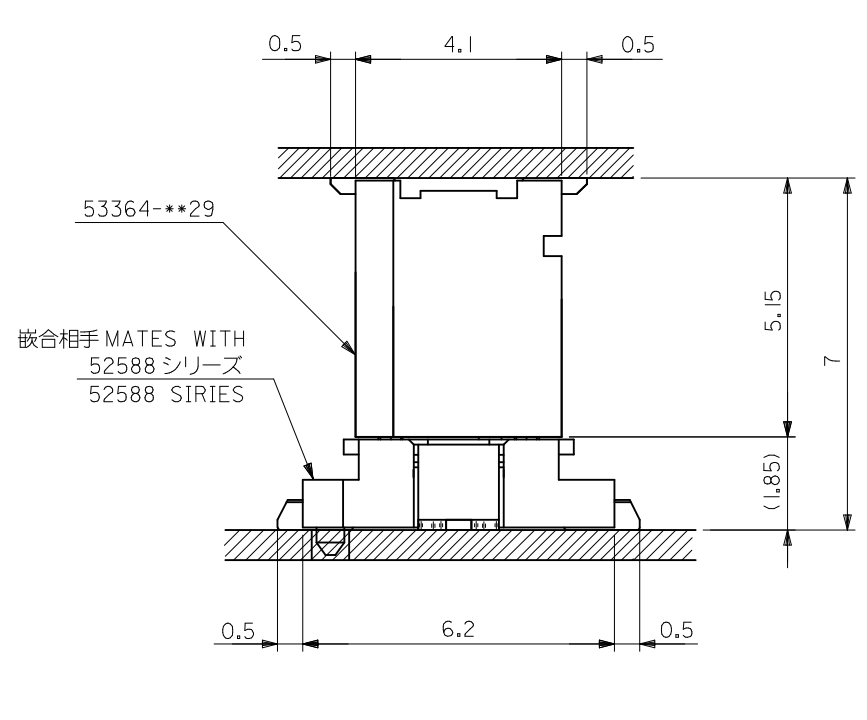
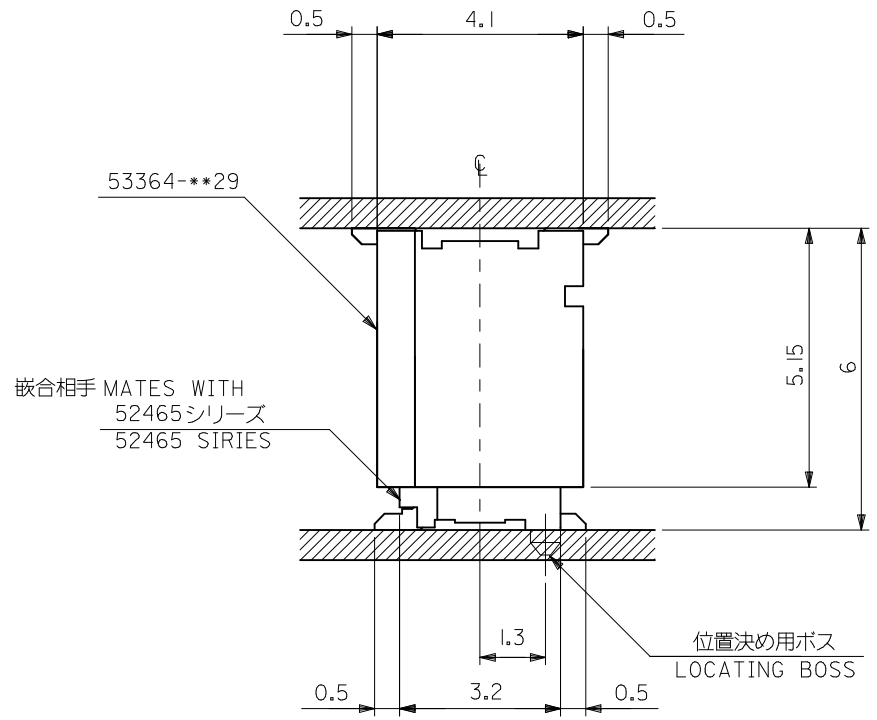
E

D

C

B

A



嵌合状態図 (参考)  
MATED DRAWING (REF.)

REVISED EC NO: J2016-1237 DRW: M. NINOMIYA 2016/06/08 CHKD: Y. ITO 2016/06/08 APPR: Y. ITO 2016/06/16	GENERAL TOLERANCES (UNLESS SPECIFIED)			DIMENSION STYLE MM ONLY		SCALE	DESIGN UNITS METRIC	THIRD ANGLE PROJECTION
	0.25 UNDER	UNDER	±---	DRAWN BY	DATE	TITLE		
	0.25 OVER	0.5 UNDER	±---	M. NINOMIYA	'03/12/11	0.8 BOARD TO BOARD CONN. WAFER ASSY ST. SMT -LEAD FREE-		
	0.5 OVER	1.0 UNDER	±---	CHECKED BY	DATE	<b>molex</b> DOCUMENT NO. SD-53364-003 SHEET NO. 2 OF 2		
	1.0 OVER	10 UNDER	±---	K. TOJO	'03/12/11			
	10 OVER	30 UNDER	±---	APPROVED BY	DATE	SEE SHEET 1		
30 OVER		±---	M. SASAO	'03/12/11	THIS DRAWING CONTAINS INFORMATION THAT IS PROPRIETARY TO MOLEX ELECTRONIC TECHNOLOGIES, LLC AND SHOULD NOT BE USED WITHOUT WRITTEN PERMISSION			
ANGULAR		±--- °	DRAFT WHERE APPLICABLE MUST REMAIN WITHIN DIMENSIONS		SIZE A3			

9 8 7 6 5 4 3 2 1