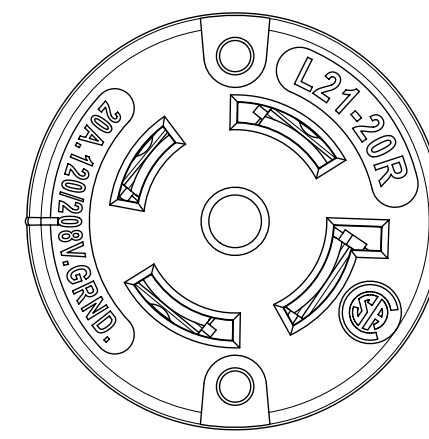
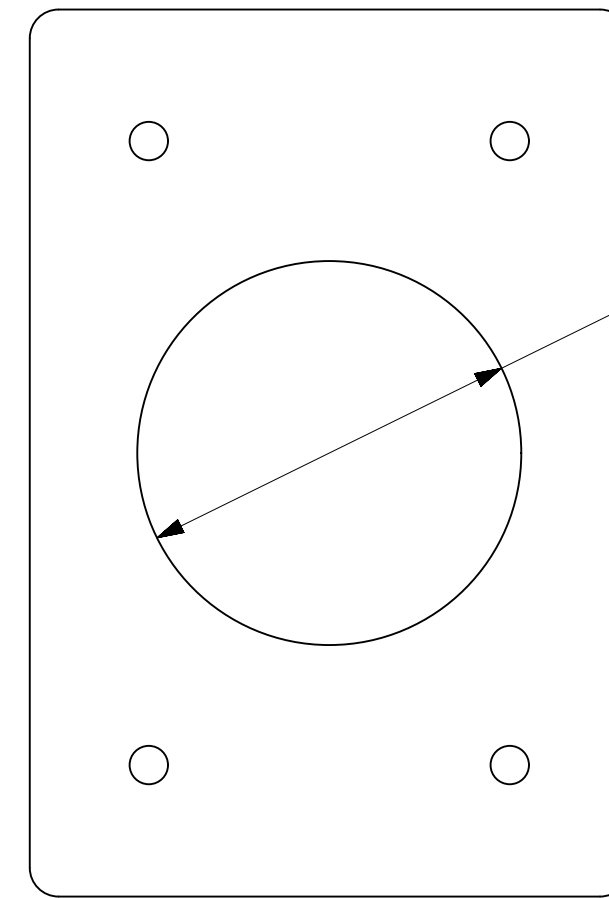
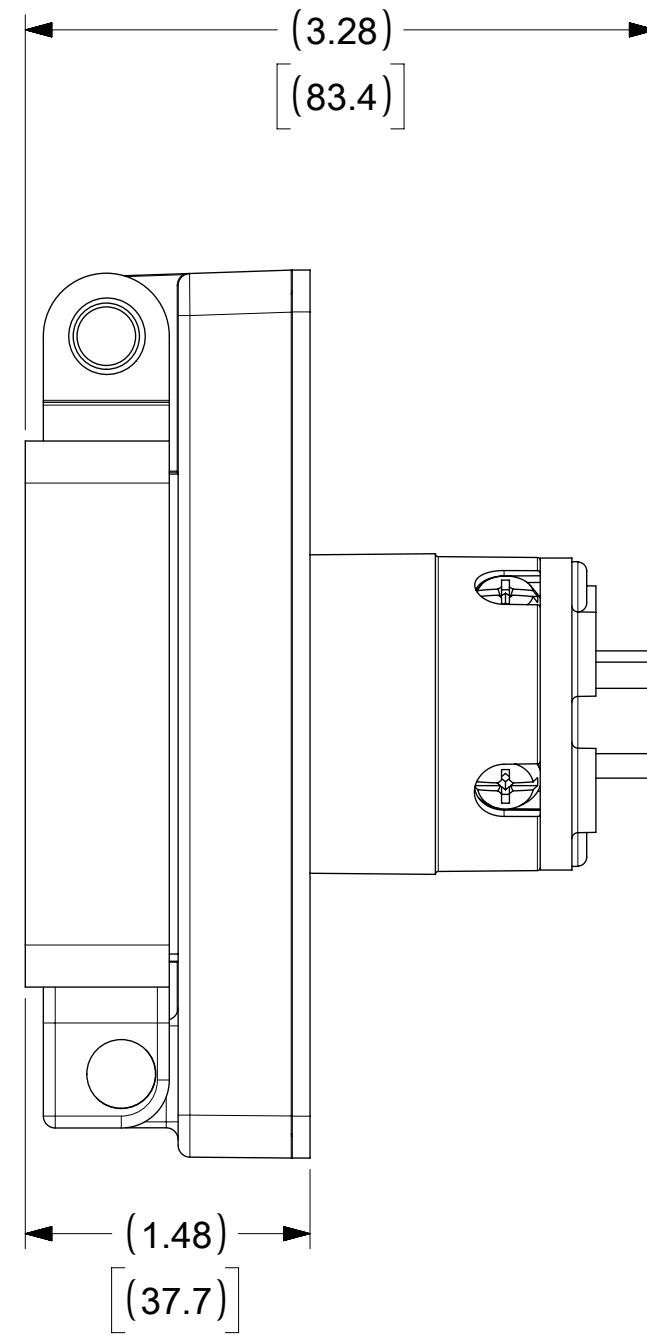
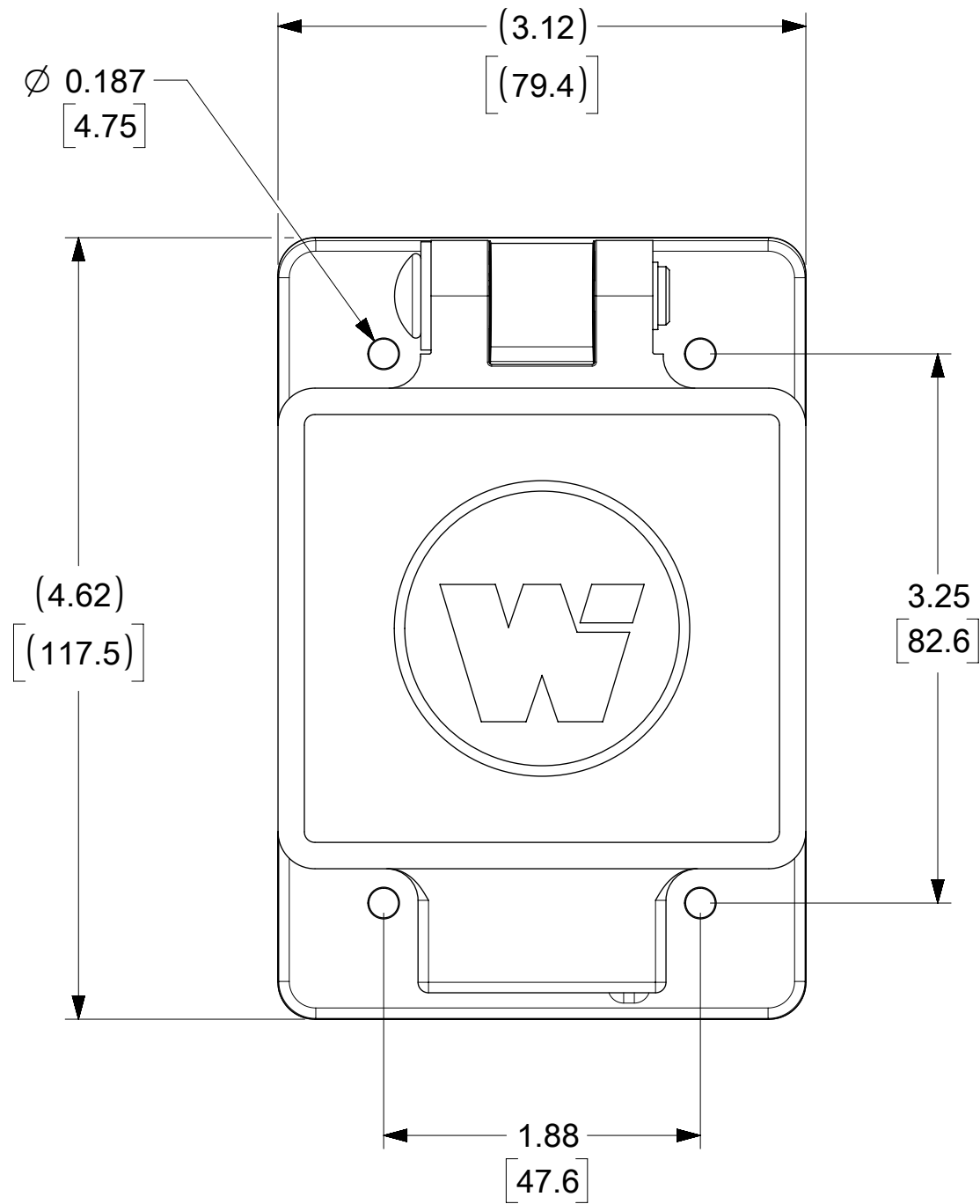
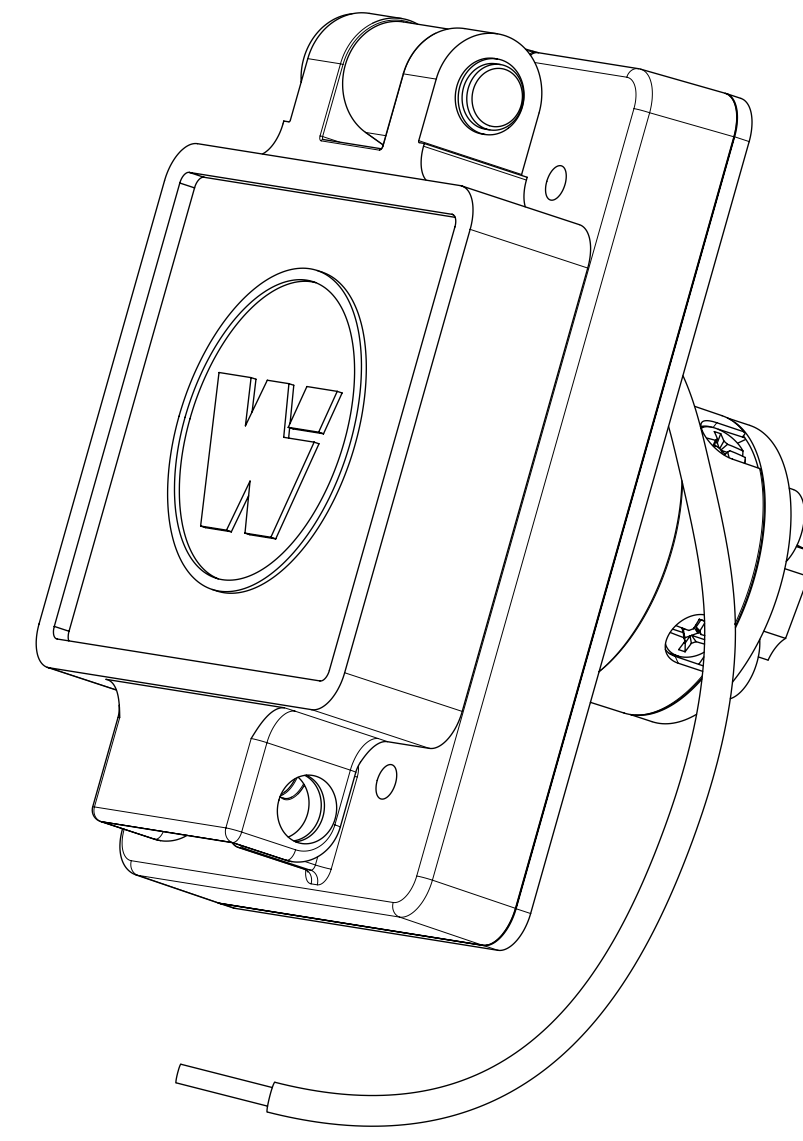


ORDER NO.	WOODHEAD NO.	COLOR
130147-0151	67W81	YELLOW
130147-0152	67W81BLK	BLACK



FACE VIEW



CLEARANCE HOLE
(FOR PANEL MOUNT)

DESCRIPTION	MATERIAL	QTY.
BLADES	BRASS, NICKEL PLATED	3
RETAINING SCREWS	STAINLESS STEEL	3
CLAMP AND TERMINAL SCREW ASSY.	BRASS, ZINC PLATED	3
FEMALE INSERT	NYLON	1
TERMINAL COVER	POLYCARBONATE	1
COVER ASSEMBLY	POLYCARBONATE, STAINLESS STEEL, ALUMINUM	1
GASKET FLIP	NEOPRENE	1
SUPPORT PLATE	STAINLESS STEEL	1
SCREW (GROUND WIRE)	STAINLESS STEEL	1
JUMPER WIRE ASSY	COPPER, BRASS (TINNED FINISH)	1

THIS DRAWING CONTAINS INFORMATION THAT IS PROPRIETARY TO MOLEX ELECTRONIC TECHNOLOGIES, LLC AND SHOULD NOT BE USED WITHOUT WRITTEN PERMISSION													
SYMBOLS		DIMENSION UNITS		SCALE		CURRENT REV DESC: MIGRATE TO ECTR/NX							
▽ = 0	INCH	MM	NTS			molex WATERTITE FS/FD COVER 4P5W L21-20 PRODUCT CUSTOMER DRAWING							
▽ = 0	GENERAL TOLERANCES (UNLESS SPECIFIED)									EC NO: 613843 DRWN: SRPATIL 2018/12/21 CHK'D: DNGUYEN62 2019/03/15 APPR: HKNEELAND 2019/03/22			
▽ = 0										INITIAL REVISION: DRWN: SRPATIL 2018/12/21 APPR: HKNEELAND 2019/03/22			
▽ = 0	4 PLACES ±		MM	INCH			DOCUMENT NUMBER 1301470151		DOC TYPE PSD	DOC PART 000	REVISION A		
▽ = 0	3 PLACES ±						MATERIAL NUMBER SEE TABLE		CUSTOMER GENERAL MARKET		SHEET NUMBER 1 OF 1		
▽ = 0	2 PLACES ±						DRAFT WHERE APPLICABLE MUST REMAIN WITHIN DIMENSIONS		THIRD ANGLE PROJECTION 		DRAWING C-SIZE	SERIES 130147	
▽ = 0	1 PLACE ±												
▽ = 0	0 PLACES ±												
▽ = 0	ANGULAR TOL ± °												

DOCUMENT STATUS	P1	RELEASE DATE	2019/03/22 18:16:55
-----------------	----	--------------	---------------------