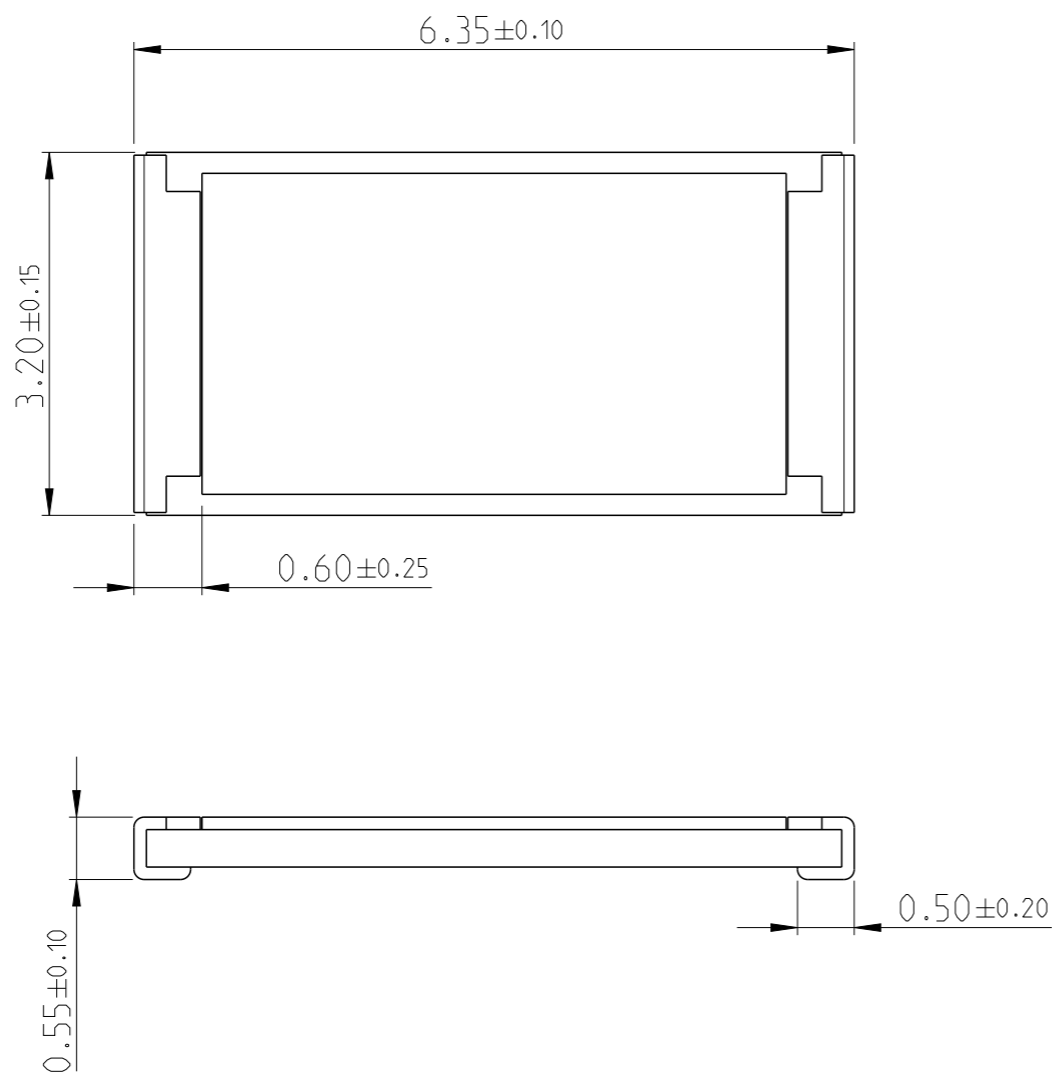


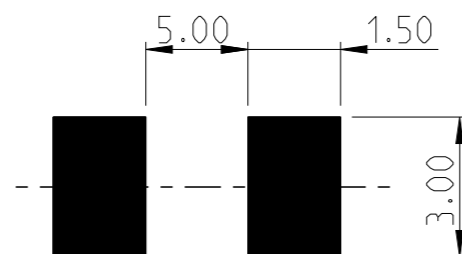
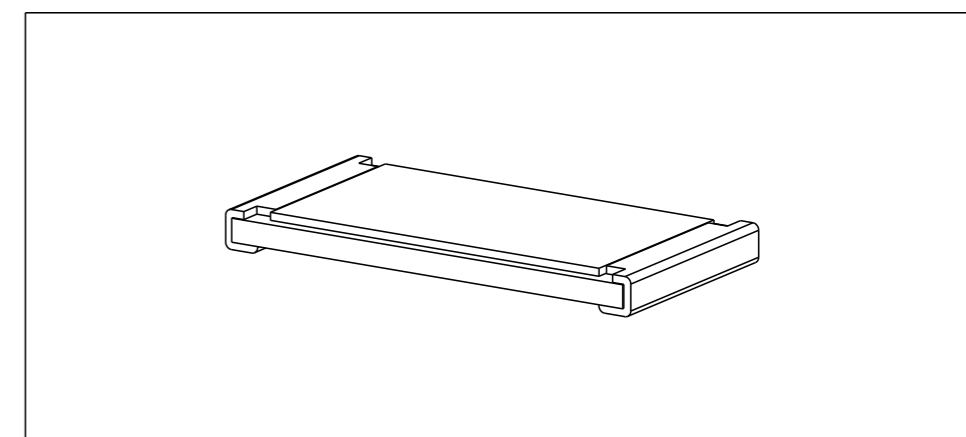
REVISIONS

P	LTR	DESCRIPTION	DATE	DWN	APVD
	BC	ECR-16-000748	18JAN2016	KR	TN
	BC1	ECR-22-127236	21JAN2022	KS	TG

FOR FURTHER INFORMATION SEE PRODUCT SPECIFICATION FOR CRGH SERIES



RoHS Compliant



PDB LAYOUT PLAN


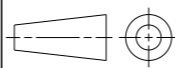
THIS DRAWING IS A CONTROLLED DOCUMENT.		DWN 15MAR2012 DARSHAN MS		
DIMENSIONS: mm		CHK 15MAR2012 ALLAN P		
TOLERANCES UNLESS OTHERWISE SPECIFIED:		APVD 15MAR2012 STEPHEN.P	NAME SMD POWER RESISTORS - TYPE 3521 SERIES	
		PRODUCT SPEC -	APPLICATION SPEC -	
MATERIAL -		FINISH -	WEIGHT 0.03806 Gram	RESTRICTED TO -
			SIZE A3	CAGE CODE 00779
			DRAWING NO C=2176070	
			SCALE 40:1	SHEET 1 OF 1
				REV BC1

REVISIONS

P	LTR	DESCRIPTION	DATE	DWN	APVD
-		SEE SHEET 1	-	-	-

TCPN	PART DESCRIPTION	ALIAS
2176070-1	3521 10R 1% 2W	352110RFT
2176070-2	3521 11R 1% 2W	352111RFT
2176070-3	3521 12R 1% 2W	352112RFT
2176070-4	3521 13R 1% 2W	352113RFT
2176070-5	3521 15R 1% 2W	352115RFT
2176070-6	3521 16R 1% 2W	352116RFT
2176070-7	3521 18R 1% 2W	352118RFT
2176070-8	3521 20R 1% 2W	352120RFT
2176070-9	3521 22R 1% 2W	352122RFT
1-2176070-0	3521 24R 1% 2W	352124RFT
1-2176070-1	3521 27R 1% 2W	352127RFT
1-2176070-2	3521 30R 1% 2W	352130RFT
1-2176070-3	3521 33R 1% 2W	352133RFT
1-2176070-4	3521 36R 1% 2W	352136RFT
1-2176070-5	3521 39R 1% 2W	352139RFT
1-2176070-6	3521 43R 1% 2W	352143RFT
1-2176070-7	3521 47R 1% 2W	352147RFT
1-2176070-8	3521 51R 1% 2W	352151RFT
1-2176070-9	3521 56R 1% 2W	352156RFT
2-2176070-0	3521 62R 1% 2W	352162RFT
2-2176070-1	3521 68R 1% 2W	352168RFT
2-2176070-2	3521 75R 1% 2W	352175RFT
2-2176070-3	3521 82R 1% 2W	352182RFT
2-2176070-4	3521 91R 1% 2W	352191RFT
2-2176070-5	3521 100R 1% 2W	3521100RFT
2-2176070-6	3521 110R 1% 2W	3521110RFT
2-2176070-7	3521 120R 1% 2W	3521120RFT
2-2176070-8	3521 130R 1% 2W	3521130RFT
2-2176070-9	3521 150R 1% 2W	3521150RFT
3-2176070-0	3521 160R 1% 2W	3521160RFT

TCPN	PART DESCRIPTION	ALIAS
3-2176070-1	3521 180R 1% 2W	3521180RFT
3-2176070-2	3521 200R 1% 2W	3521200RFT
3-2176070-3	3521 220R 1% 2W	3521220RFT
3-2176070-4	3521 240R 1% 2W	3521240RFT
3-2176070-5	3521 270R 1% 2W	3521270RFT
3-2176070-6	3521 300R 1% 2W	3521300RFT
3-2176070-7	3521 330R 1% 2W	3521330RFT
3-2176070-8	3521 360R 1% 2W	3521360RFT
3-2176070-9	3521 390R 1% 2W	3521390RFT
4-2176070-0	3521 430R 1% 2W	3521430RFT
4-2176070-1	3521 470R 1% 2W	3521470RFT
4-2176070-2	3521 510R 1% 2W	3521510RFT
4-2176070-3	3521 560R 1% 2W	3521560RFT
4-2176070-4	3521 620R 1% 2W	3521620RFT
4-2176070-5	3521 680R 1% 2W	3521680RFT
4-2176070-6	3521 750R 1% 2W	3521750RFT
4-2176070-7	3521 820R 1% 2W	3521820RFT
4-2176070-8	3521 910R 1% 2W	3521910RFT
4-2176070-9	3521 1K0 1% 2W	35211K0FT
5-2176070-0	3521 1K1 1% 2W	35211K1FT
5-2176070-1	3521 1K2 1% 2W	35211K2FT
5-2176070-2	3521 1K3 1% 2W	35211K3FT
5-2176070-3	3521 1K5 1% 2W	35211K5FT
5-2176070-4	3521 1K6 1% 2W	35211K6FT
5-2176070-5	3521 1K8 1% 2W	35211K8FT
5-2176070-6	3521 2K0 1% 2W	35212K0FT
5-2176070-7	3521 2K2 1% 2W	35212K2FT
5-2176070-8	3521 2K4 1% 2W	35212K4FT
5-2176070-9	3521 2K7 1% 2W	35212K7FT
6-2176070-0	3521 3K0 1% 2W	35213K0FT


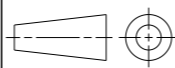
THIS DRAWING IS A CONTROLLED DOCUMENT.		DWN DARSHAN MS 15MAR2012	 TE Connectivity	
DIMENSIONS: mm		CHK ALLAN P 15MAR2012		
TOLERANCES UNLESS OTHERWISE SPECIFIED:		APVD STEPHEN.P 15MAR2012	NAME SMD POWER RESISTORS - TYPE 3521 SERIES	
		PRODUCT SPEC -	APPLICATION SPEC -	
MATERIAL -		FINISH -	WEIGHT 0.03806 Gram	RESTRICTED TO -
CUSTOMER DRAWING			SCALE 40:1	SHEET 1 OF 1
			DRAWING NO A3 00779 C=2176070	REV BC1

REVISIONS

P	LTR	DESCRIPTION	DATE	DWN	APVD
	-	SEE SHEET 1	-	-	-

TCPN	PART DESCRIPTION	ALIAS
6-2176070-1	3521 3K3 1% 2W	35213K3FT
6-2176070-2	3521 3K6 1% 2W	35213K6FT
6-2176070-3	3521 3K9 1% 2W	35213K9FT
6-2176070-4	3521 4K3 1% 2W	35214K3FT
6-2176070-5	3521 4K7 1% 2W	35214K7FT
6-2176070-6	3521 5K1 1% 2W	35215K1FT
6-2176070-7	3521 5K6 1% 2W	35215K6FT
6-2176070-8	3521 6K2 1% 2W	35216K2FT
6-2176070-9	3521 6K8 1% 2W	35216K8FT
7-2176070-0	3521 7K5 1% 2W	35217K5FT
7-2176070-1	3521 8K2 1% 2W	35218K2FT
7-2176070-2	3521 9K1 1% 2W	35219K1FT
7-2176070-3	3521 10K 1% 2W	352110KFT
7-2176070-4	3521 11K 1% 2W	352111KFT
7-2176070-5	3521 12K 1% 2W	352112KFT
7-2176070-6	3521 13K 1% 2W	352113KFT
7-2176070-7	3521 15K 1% 2W	352115KFT
7-2176070-8	3521 16K 1% 2W	352116KFT
7-2176070-9	3521 18K 1% 2W	352118KFT
8-2176070-0	3521 20K 1% 2W	352120KFT

TCPN	PART DESCRIPTION	ALIAS
8-2176070-1	3521 22K 1% 2W	352122KFT
8-2176070-2	3521 24K 1% 2W	352124KFT
8-2176070-3	3521 27K 1% 2W	352127KFT
8-2176070-4	3521 30K 1% 2W	352130KFT
8-2176070-5	3521 33K 1% 2W	352133KFT
8-2176070-6	3521 36K 1% 2W	352136KFT
8-2176070-7	3521 39K 1% 2W	352139KFT
8-2176070-8	3521 43K 1% 2W	352143KFT
8-2176070-9	3521 47K 1% 2W	352147KFT
9-2176070-0	3521 51K 1% 2W	352151KFT
9-2176070-1	3521 56K 1% 2W	352156KFT
9-2176070-2	3521 62K 1% 2W	352162KFT
9-2176070-3	3521 68K 1% 2W	352168KFT
9-2176070-4	3521 75K 1% 2W	352175KFT
9-2176070-5	3521 82K 1% 2W	352182KFT
9-2176070-6	3521 91K 1% 2W	352191KFT
9-2176070-7	3521 100K 1% 2W	3521100KFT
9-2176070-8	3521 110K 1% 2W	3521110KFT
9-2176070-9	3521 120K 1% 2W	3521120KFT

THIS DRAWING IS A CONTROLLED DOCUMENT.		DWN DARSHAN MS 15MAR2012	 TE Connectivity		
DIMENSIONS: mm		CHK ALLAN P 15MAR2012			
		TOLERANCES UNLESS OTHERWISE SPECIFIED: 0 PLC ±- 1 PLC ±0.5 2 PLC ±0.13 3 PLC ±0.013 4 PLC ±0.0001 ANGLES ±	NAME SMD POWER RESISTORS - TYPE 3521 SERIES		
MATERIAL -		FINISH -	APVD STEPHEN.P 15MAR2012	PRODUCT SPEC -	RESTRICTED TO -
			APPLICATION SPEC -	WEIGHT 0.03806 Gram	SIZE A3
			CUSTOMER DRAWING	CAGE CODE 00779	DRAWING NO C=2176070
				SCALE 40:1	SHEET 1 OF 1
					REV BC1