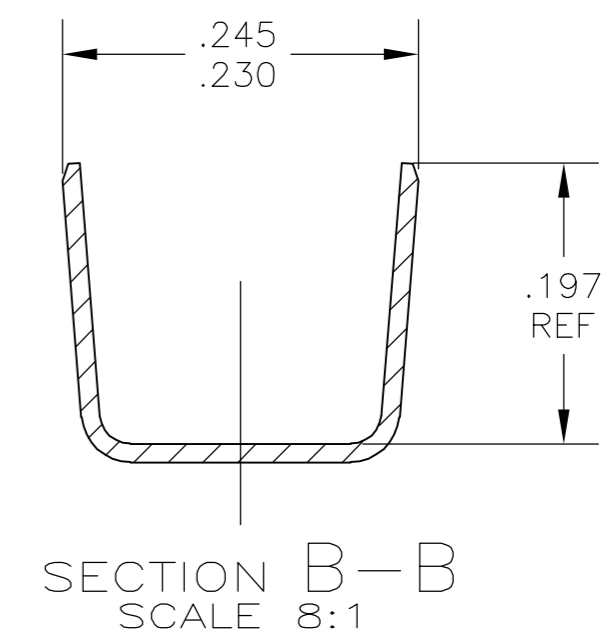
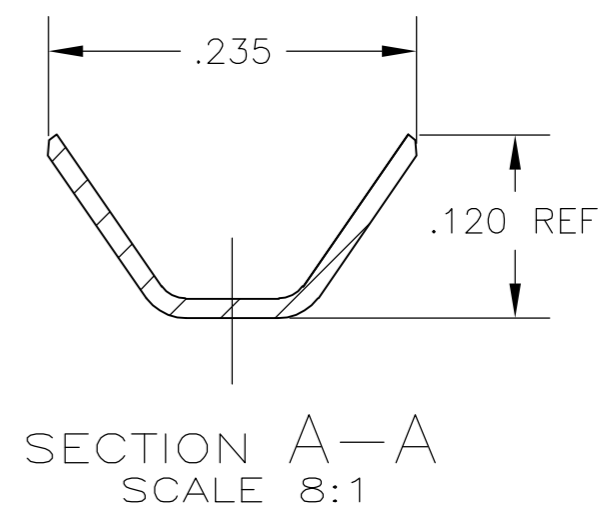
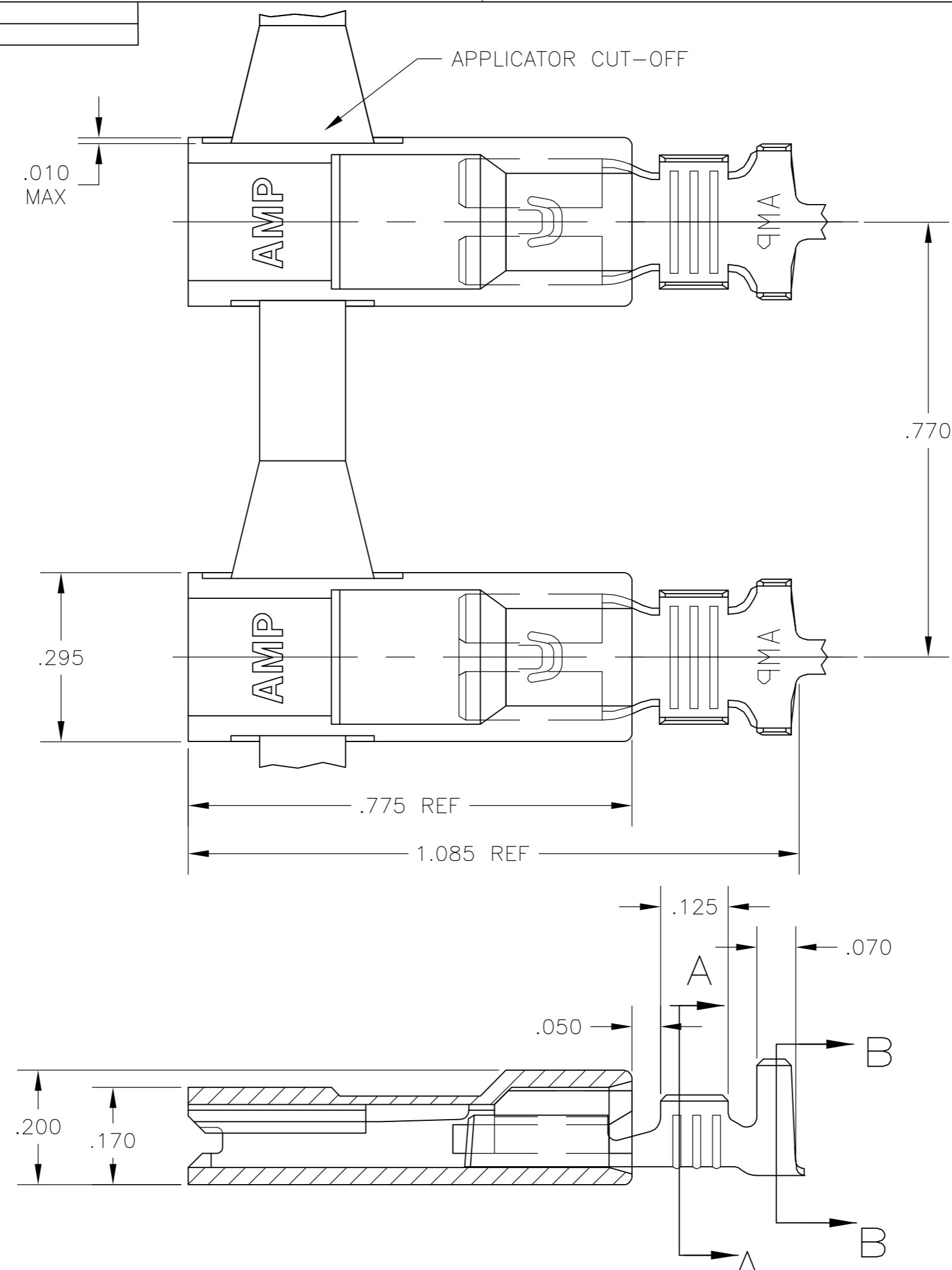


THIS DRAWING IS UNPUBLISHED. RELEASED FOR PUBLICATION
 © COPYRIGHT BY TYCO ELECTRONICS CORPORATION. ALL RIGHTS RESERVED.

LOC	DIST	REVISIONS					
AF	50	P	LTR	DESCRIPTION	DATE	DWN	APVD
		A1		REVISED PER ECR-06-027960	05DEC06	HMR	GP



- 1 FASTON TERMINALS, BASE
P/N 1742110, ARE USED IN THIS PRODUCT.
- 3 MATING TAB THK TO BE $.020 \pm .001$
- 4 WIRE SIZE IS #18-#16 OR TWO #18'S AWG.
- 5 INSULATION RANGE IS .105-.130 OR TWO AT .105 MAX
- 6 TERMINAL - .0126 THK H04 BRASS
HOUSING - 6/6 NYLON
- 7 TERMINAL - SEE TABLE
HOUSING - NATURAL

THIS DRAWING IS A CONTROLLED DOCUMENT.		DWN	JR RUTH	10JUL06	Tyco Electronics Corporation Harrisburg, PA 17105-3608		
DIMENSIONS: INCHES		CHK	G PORTA	10JUL06			
TOLERANCES UNLESS OTHERWISE SPECIFIED:		APVD	G PORTA	10JUL06			
0 PLC ± - 1 PLC ± - 2 PLC ± - 3 PLC ± .010 4 PLC ± - ANGLES ± - FINISH		PRODUCT SPEC	108-1285				
MATERIAL		APPLICATION SPEC	114-2124		NAME	ASSEMBLY, RECEPTACLE, ULTRA-POD, .187 SERIES	
		WEIGHT	-		SIZE	A2	RESTRICTED TO
		CUSTOMER DRAWING	CAGE CODE	00779	DRAWING NO	C=521947	
		SCALE	5:1		SHEET	1 OF 1	
		REV	A1				

521947