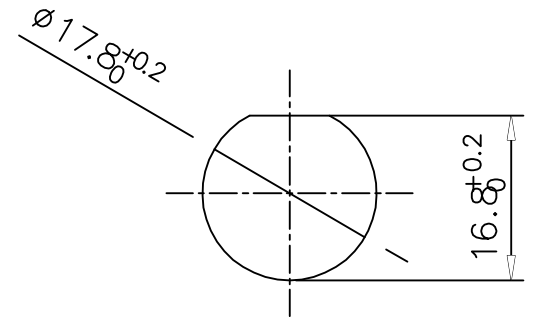
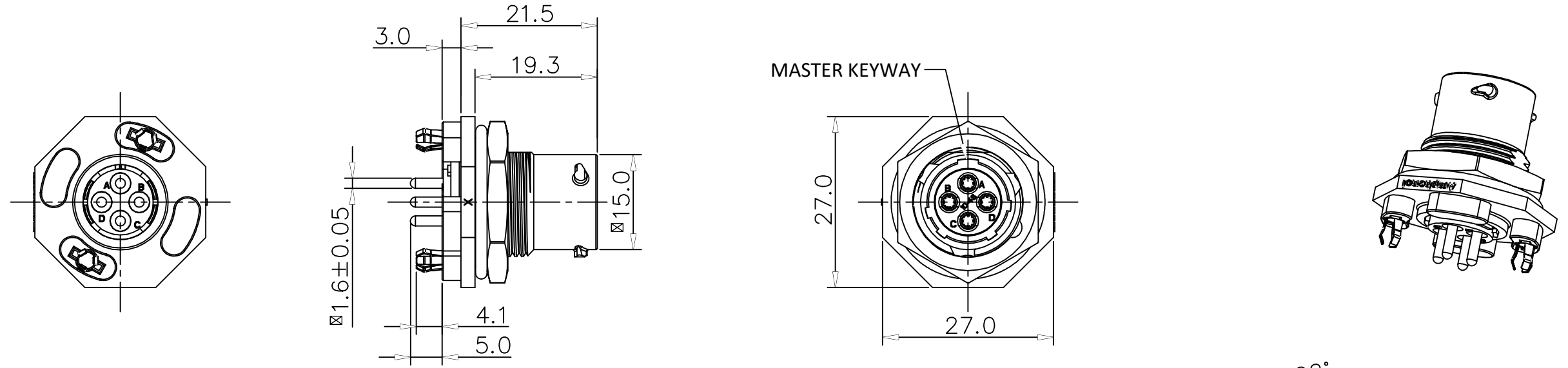
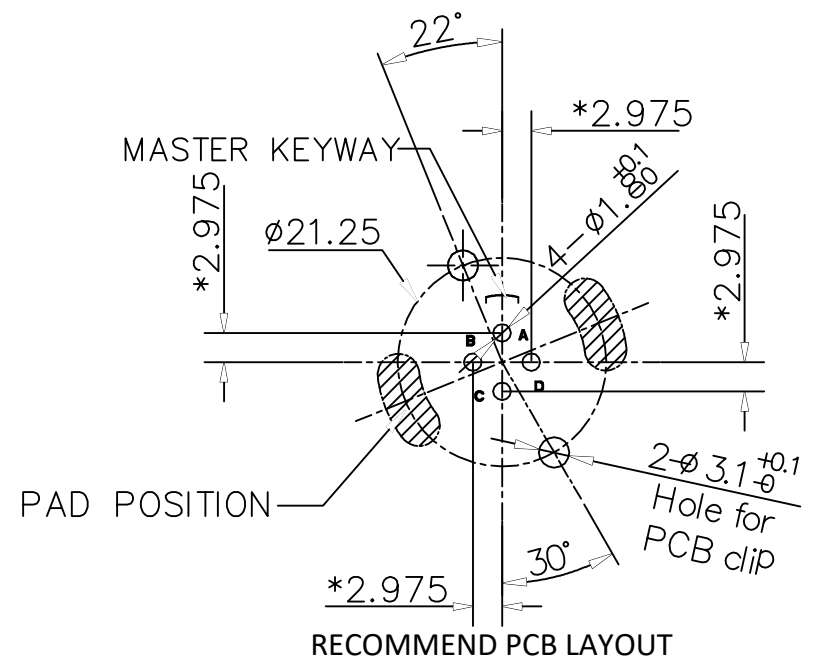


| REVISIONS | | | | | |
|-----------|-----|------------------|-------------|--------|-------|
| REV | ECO | DESCRIPTION | DATE | BY | APPR |
| A1 | - | RELEASED DRAWING | Jul-30-2019 | Ronald | Tommy |
| | | | | | |



RECOMMEND MOUNTING HOLE



RECOMMEND PCB LAYOUT

NOTES: (UNLESS OTHERWISE SPECIFIED)

- MATERIAL:
 - SHELL: THERMOPLASTIC, UL94 V-0.
 - INSERT: THERMOPLASTIC, UL94 V-0.
 - O-RING: SILICONE RUBBER.
 - SEAL GASKET: SILICONE RUBBER.
 - JAM NUT: ALUMINIUM ALLOY, BLACK ANODIZING.
 - CONTACT: COPPER ALLOY, GOLD PLATED.
 - LOCKING POSTS: COPPER ALLOY, TIN PLATED.
- SPECIFICATIONS:
 - 2.1 RATED CURRENT: 13A (MAX).
 - 2.2 RATED VOLTAGE: 500V(AC/DC).
 - 2.3 OPERATING TEMPERATURE: -40C - 125C.
 - 2.4 DIELECTRIC WITHSTANDING VOLTAGE: LESS THAN 2 MILLIAMPS CURRENT LEAKAGE@2000 VOLTS AC.
 - 2.5 INSULATION RESISTANCE: 5000 MEGOHMS MIN.
 - 2.6 IP--CLASS: IP67 AND IP69K IN THE MATED CONDITION.
 - 2.7 MATING CYCLES DURABILITY: 500 CYCLES MIN.
 - 2.8 RoHS COMPLIANT.
- SUITABLE CONTACTS: 16# CONTACT.
- ALL DIMENSIONS ARE FOR REFERENCE USE ONLY.

| KEY | PART NUMBER |
|-----|----------------|
| N | RTS710ND4S0332 |
| W | RTS710WD4S0332 |
| X | RTS710XD4S0332 |
| Y | RTS710YD4S0332 |
| Z | RTS710ZD4S0332 |

| QUANTITY | PART NUMBER | DESCRIPTION |
|---|-------------|------------------------|
| MATERIALS LIST | | |
| <p>UNLESS OTHERWISE SPECIFIED 1) All dimensions are in metric(mm). 2) Tolerances are as follows: 1 PL DEC ± 0.30 2 PL DEC ± 0.15 3 PL DEC ± 0.08 Fractions $\pm 1/64$ Angles $\pm 1^\circ$</p> | | |
| SIGNATURES | | DATE |
| DRAWN: Ronald | | Jul-30-2019 |
| CHECKED: Martin | | Jul-30-2019 |
| ENGINEER: | | |
| APPROVAL: Tommy | | Jul-30-2019 |
| MATERIAL SPECIFICATIONS: | | |
| CUSTOMER: | | |
| THIS DRAWING IS SUPPLIED FOR INFORMATION ONLY. DESIGN FEATURES, SPECIFICATIONS AND PERFORMANCE DATA SHOWN HEREON ARE THE PROPERTY OF THE AMPHENOL CORPORATION. NO RIGHTS OF REPRODUCTION ARE IMPLIED. ALL DIMENSIONS ARE SUBJECT TO NORMAL MANUFACTURING VARIATIONS. | | |
| PROCESS SPECIFICATIONS: | SIZE B | DWG NO: RTS710*D4S0332 |
| NEXT ASS'Y: | SCALE: NONE | REASON: A1 |
| | | SHEET 11 OF |

TITLE: ECOMATE RECEPTACLE, JAM NUT, SIZE 10, 4 POS, SOCKET. DWG NO: RTS710D4S0332. REV: A1. SH: 1. OF: 1.

Amphenol

Sine Systems - www.amphenol-sine.com
 44724 Morley Drive
 Clinton Township, MI 48036

ECOMATE® AQUARIUS™, RECEPTACLE, JAM NUT, SIZE10, 4POS, SOCKET