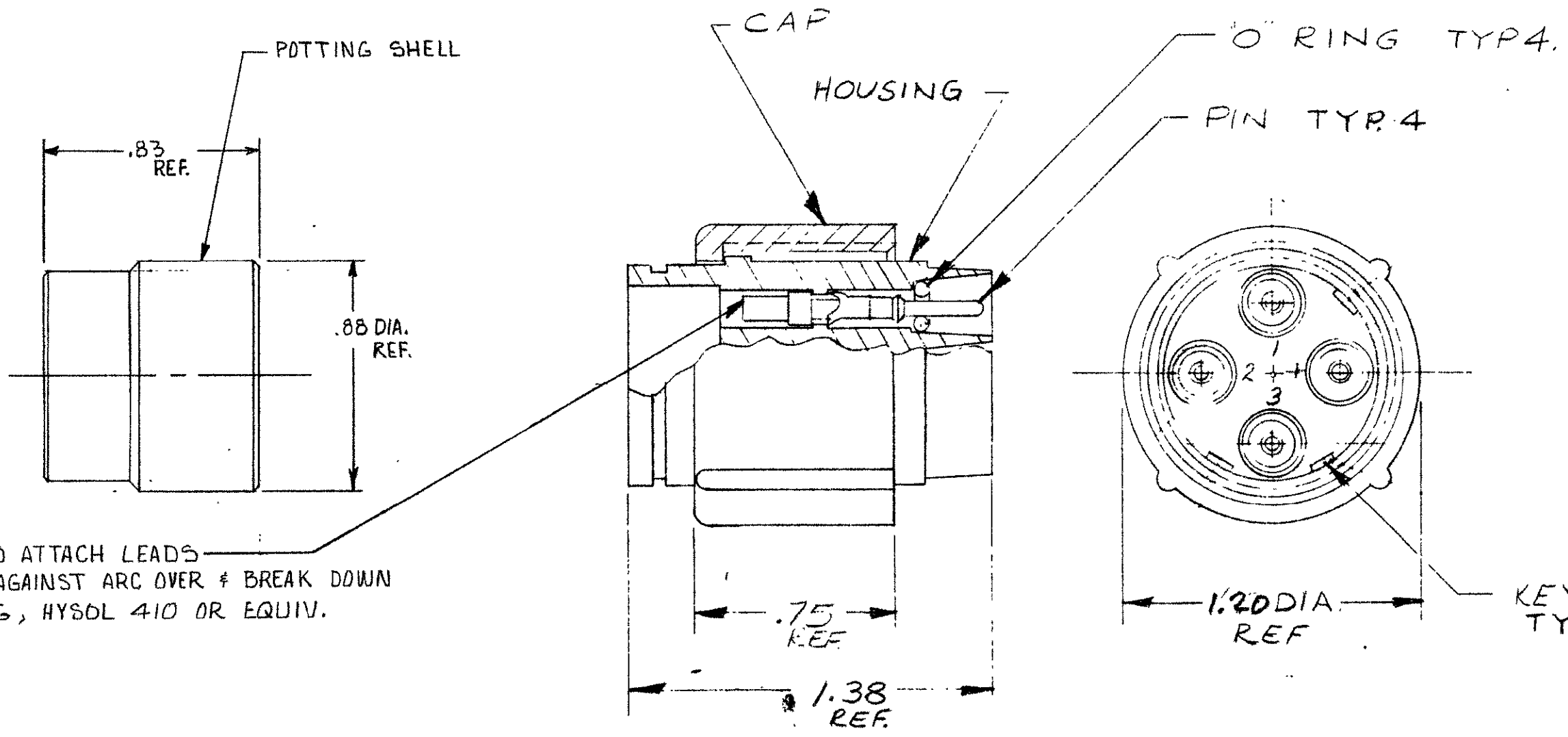


© 1976 BY AMP INCORPORATED. ALL RIGHTS RESERVED. AMP PRODUCTS COVERED BY PATENTS AND/OR PATENTS PENDING.

Unpublished copy not to be reproduced or published without written permission of AMP Incorporated.

THIS PRODUCT DESIGNED AND BUILT BY AMP INCORPORATED. NO LICENSE TO USE THAT DESIGN IN MANUFACTURE, OR TO USE ANY ISSUED OR PENDING PATENTS WHICH ARE INVOLVED, IS IMPLIED.

REVISIONS				
ZONE	LTR	DESCRIPTION	DATE	APPROVED
A		REV PER 01114-0120-04	CT 10-04	CT



CUSTOMER TO ATTACH LEADS & PROTECT AGAINST ARC OVER & BREAK DOWN BY POTTING, HYSOL 410 OR EQUIV.

- NOTE:
1. MARKING, WHITE.
 2. #16 GA. PINS. GOLD PLATED PER MIL-G-45204, TYPE II. .00005 THK. FIN.
 3. PLUG & PINS SHIPPED SEPARATELY.
 4. TYPE II PINS TO ACCEPT (1) 22 AWG (1) 20 AWG, OR (1) 24 AWG STRANDED WIRE.
 5. TYPE II PINS TO ACCEPT (1) 16 AWG, OR 18 AWG STRANDED WIRE.
 6. TO REMOVE PINS USE EXTRACTION TOOL NO. 860751-1
 7. TYPE II PINS TO ACCEPT ONE (1) 14 AWG STRANDED WIRE.

AMP P/N	WIRE SIZE RANGE	HAND TOOL
863022-1	20,22,24	45099
863022-2	16,18	45098
863022-3	14	45098

QTY REQD	QTY REQD	ITEM NO.	DWG SIZE	PART OR IDENTIFYING NO.	NOMENCLATURE OR DESCRIPTION	SYMBOL
-2	-1				PARTS LIST	
UNLESS OTHERWISE SPECIFIED: DIMENSIONS ARE IN INCHES TOLERANCES .00 ± ANGLES = .000 ± J				CONTRACT NO. DR DICK STONE 3-1-76		<p>AMP INCORPORATED CAPITRON DIVISION ELIZABETHTOWN, PENNSYLVANIA</p> <p>NAME PLUG ASS'Y. 4 PIN.</p> <p>LGH:</p>
MATERIAL: MOLDED PLASTIC				CHK APPD <i>W. Gardner</i> 3/3/76		
FINISH: BLACK.				DSGN APPD OTHER APPD		
NEXT ASSY	FINAL ASSY	NEXT ASSY	USED ON	SIZE C	CODE IDENT NO. 00779	NUMBER 863022
APPLICATION				SCALE NONE	WT	SHEET 10/11