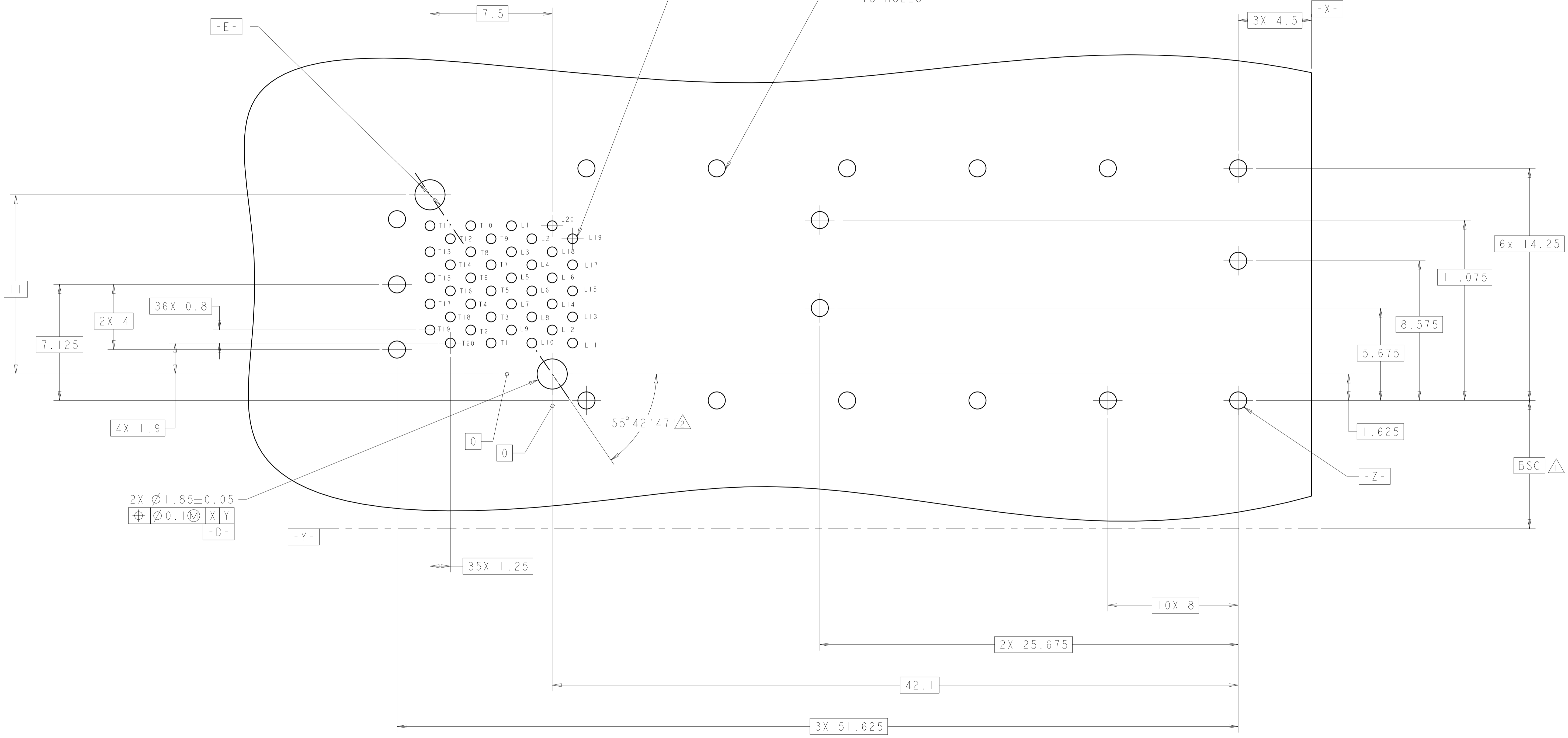


LOC	DIST	REV	DATE	BY	APPD
ES	00				

REVISIONS				
REV	DATE	BY	APPD	DESCRIPTION
-	-	-	-	SEE SHEET 1

THE HOLE SIZE IS RECOMMENDED ON THE
 PAGE 4 (TOP OF FIGURE2 FOR CONNECTOR)
 OF THE TE DOCUMENT 114-13103
 $\varnothing 0.08 \text{ (M)} | \text{DS} | \text{ES}$
 40 HOLES

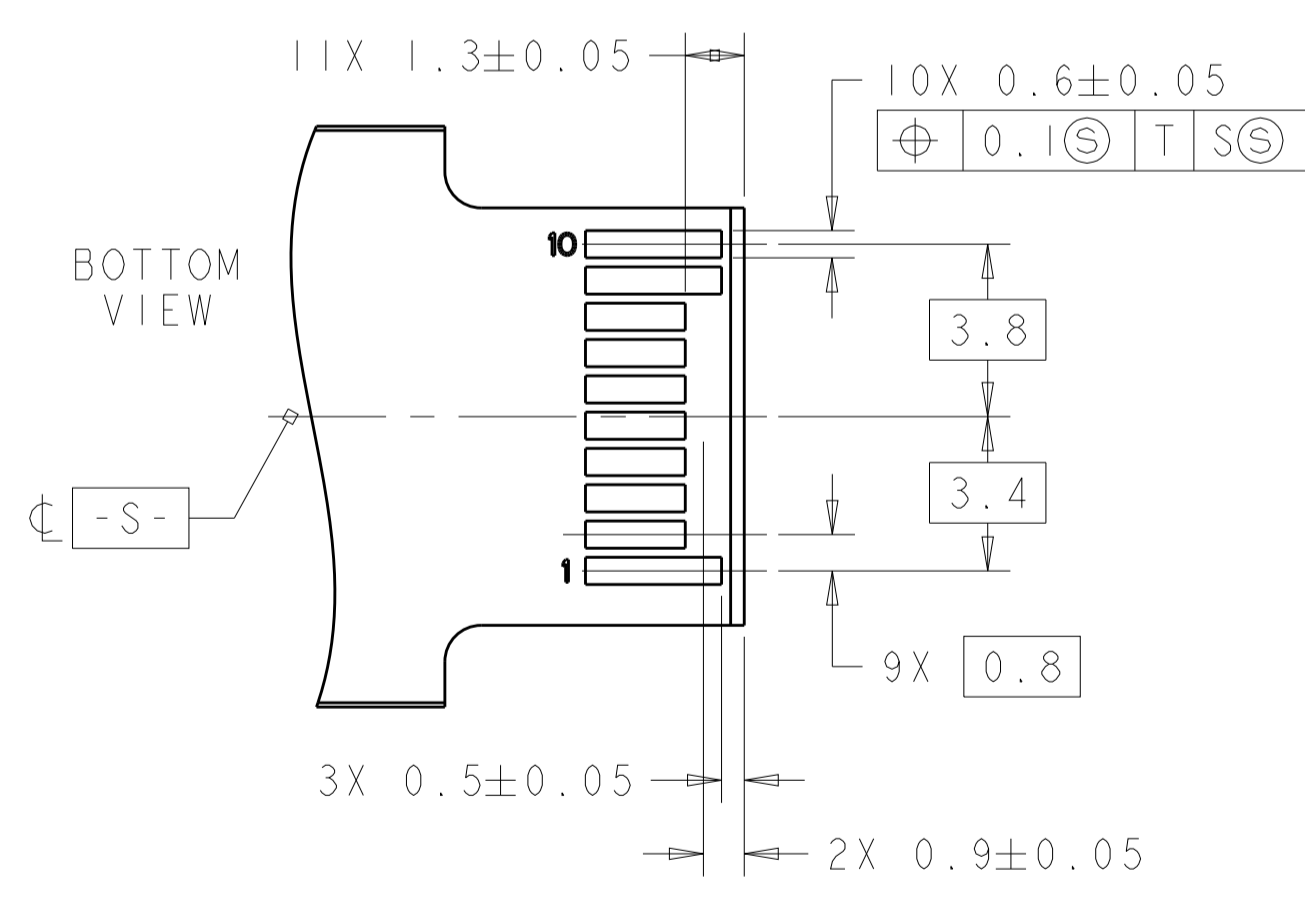
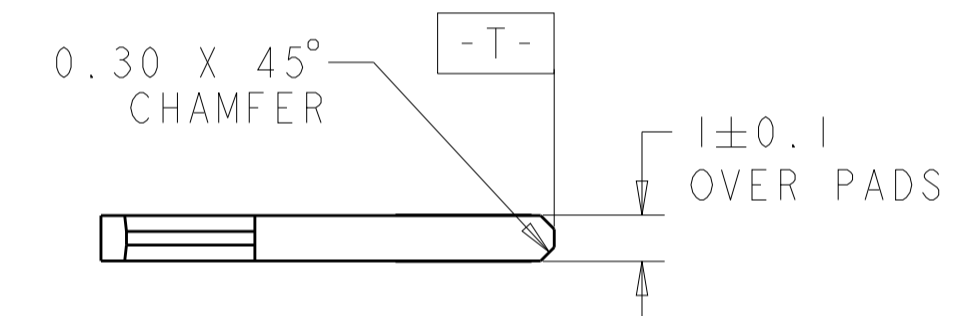
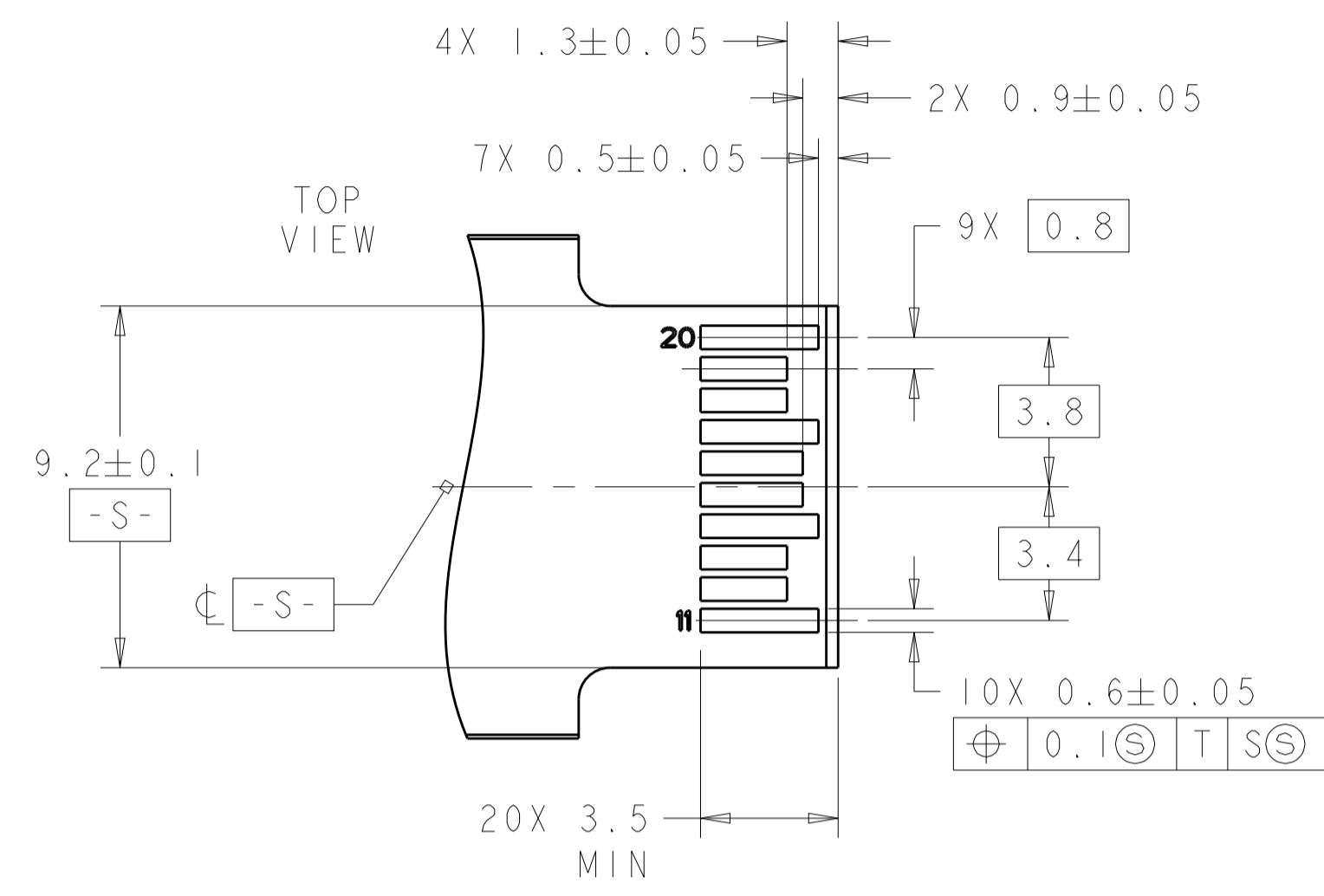
THE HOLE SIZE IS RECOMMENDED ON THE
 PAGE 4 (BOTTOM OF FIGURE2 FOR CAGE ASSEMBLY)
 OF THE TE DOCUMENT 114-13103
 $\varnothing 0.1 \text{ (M)} | \text{ZS}$
 18 HOLES



SFP HOST BOARD
 MECHANICAL LAYOUT
 SCALE 8:1

THIS DRAWING IS A CONTROLLED DOCUMENT.		DWN Jason Yang 15SEP2010	TE Connectivity NAME CAGE AND PT CONNECTOR ASSEMBLY, 2x1, PRESS FIT, LOW PROFILE, W/O EMI SPRINGS, SFP
DIMENSIONS: mm		CHK Wang Manqian 15SEP2010	
TOLERANCES UNLESS OTHERWISE SPECIFIED:		APVD Wang Manqian 15SEP2010	
0 PLC ± 1 PLC ±0.1 2 PLC ± 3 PLC ± 4 PLC ± ANGLES ±		PRODUCT SPEC 108-2161 APPLICATION SPEC 114-13103 WEIGHT Customer Drawing	
MATERIAL FINISH		SIZE CAGE CODE DRAWING NO 114-13103	RESTRICTED TO A100779C=1932709
		SCALE 1:1	SHEET 2 OF 3 REV C

LOC		DIST		REVISIONS			
P	LTN	DESCRIPTION	DATE	DMN	APVD		
-	-	SEE SHEET 1	-	-	-		



RECOMMENDED LAYOUT FOR
 MATING TRANSCEIVER PCB
 SCALE 6:1

THIS DRAWING IS A CONTROLLED DOCUMENT.		DMN Jason Yang 15SEP2010	TE Connectivity
DIMENSIONS: mm		CHK Wang Manqian 15SEP2010	
TOLERANCES UNLESS OTHERWISE SPECIFIED:		APVD Wang Manqian 15SEP2010	NAME CAGE AND PT CONNECTOR ASSEMBLY, 2x1, PRESS FIT, LOW PROFILE, W/O EMI SPRINGS, SFP
0 PLC ± 1 PLC ±0.1 2 PLC ± 3 PLC ± 4 PLC ± ANGLES ±		PRODUCT SPEC 108-2161	
MATERIAL FINISH		APPLICATION SPEC 114-13103	SIZE CAGE CODE DRAWING NO RESTRICTED TO
		WEIGHT	A100779C=1932709
		Customer Drawing	SCALE 8:1 SHEET 3 OF 3 REV C