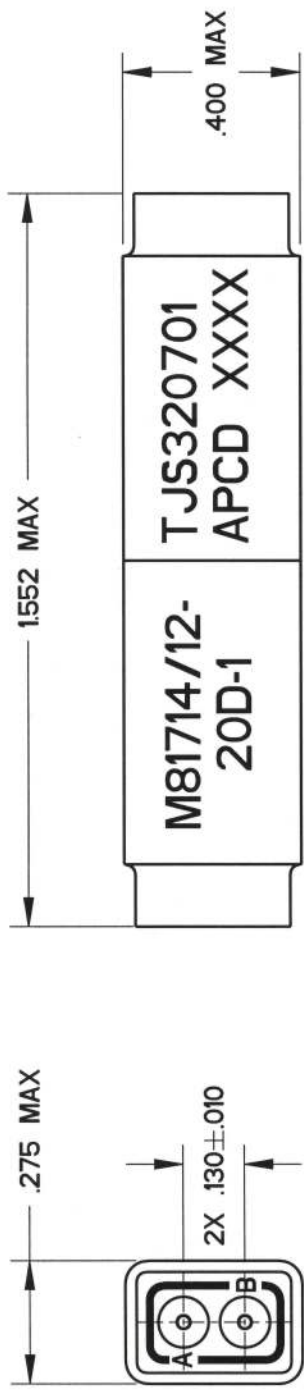
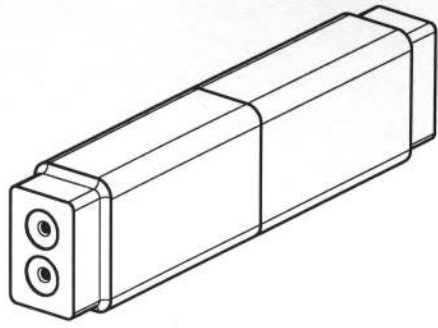


REV	ECN	APP'D
-	5882	<i>RT 7/14/06</i>



M81714/12-20D-1
 TJS320701
 APCD XXXX

- NOTES:
- PART MEETS ALL REQUIREMENTS OF MIL-T-81714/12
 - MATERIALS:
 GROMMET - SILICONE RUBBER, COLOR: BLUE
 INSULATOR - THERMOPLASTIC
 INTERNAL CONTACT - COPPER ALLOY
 CONTACT RETAINER CLIPS - STAINLESS STEEL ALLOY
 MODULE ACCEPTS M39029/1-101 PIN CONTACTS, SEE TABLE.

PART NO.	DESCRIPTION	P/N MARKING
TJS320601	CONTACTS NOT SUPPLIED	TJS320701
TJS320701	FIVE (5) CNP006000 INCLUDED	

TITLE
TERMINAL JUNCTION SPLICE
DOUBLE BUSSED, SIZE 20

Amphenol Pcd
 SPECIFICATION DRAWING

DRWN: R. SWAINE 06/29/06
 ENGR: *R. Swaine*
 APPD: *R. Swaine* 7/13/06

SIZE: A
 DWG NO.: TJS320601_C
 CODE: 58982
 SCALE: 8:3
 SHEET 1 OF 1

DIMENSIONS	ANSI Y14.5M	TOLERANCES	.XX ±0.01 .XXX ±0.005 ANGLES ±0.5°	PROJECTION	
		THIS DOCUMENT CONTAINS PROPRIETARY INFORMATION WHICH IS THE CONFIDENTIAL PROPERTY OF AMPHENOL PCD INC., PEABODY, MA			