

THIS DRAWING IS UNPUBLISHED.

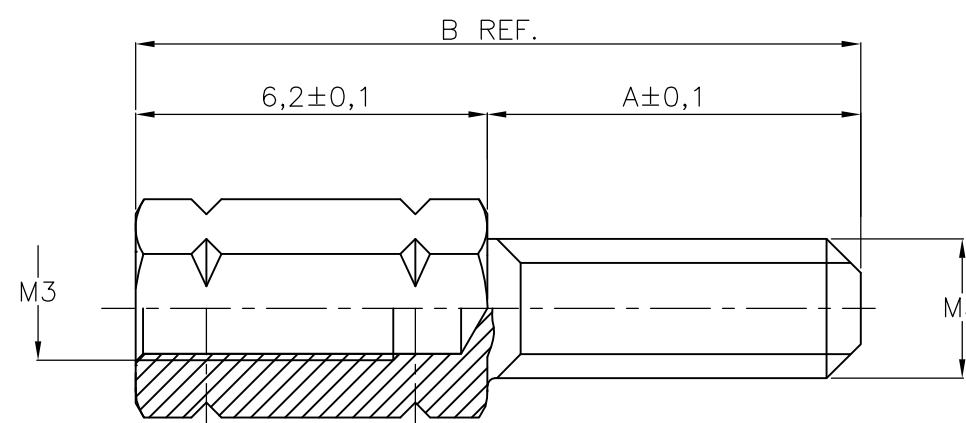
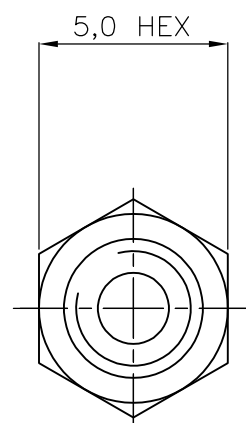
RELEASED FOR PUBLICATION

REVISIONS

© COPYRIGHT - By -

ALL RIGHTS RESERVED.

P	LTR	DESCRIPTION	DATE	DWN	APVD
	E	REVISED PER ECO-16-011204	29 AUG 2016	AP	DG



OBSOLETE	-	8,0	14,2	UNPLATED	ARCAP	4-829068-3
	-	8,0	14,2	TINPLATED	BRASS	4-829068-1
OBSOLETE	-	3,0	9,2	UNPLATED	ARCAP	3-829068-3
	-	3,0	9,2	TINPLATED	BRASS	3-829068-1
OBSOLETE	-	11,0	17,2	UNPLATED	ARCAP	2-829068-3
	-	11,0	17,2	TINPLATED	BRASS	2-829068-1
OBSOLETE	-	9,7	15,9	UNPLATED	ARCAP	1-829068-3
OBSOLETE	-	9,7	15,9	TINPLATED	BRASS	1-829068-1
OBSOLETE	-	5,0	11,2	UNPLATED	ARCAP	829068-3
	-	5,0	11,2	TINPLATED	BRASS	829068-1
		DIM "A"	DIM "B"	FINISH	MATERIAL	ORDER NUMBER

THIS DRAWING IS A CONTROLLED DOCUMENT.

DWN D.KESSLER 02APR91
 CHK C.V.TILBURG 23APR91
 APVD L.V.SOEST 25APR91



DIMENSIONS:	TOLERANCES UNLESS OTHERWISE SPECIFIED:
mm	
	0 PLC ± -
	1 PLC ± 0,2
	2 PLC ± -
	3 PLC ± -
	4 PLC ± -
	ANGLES ± -

PRODUCT SPEC -
 APPLICATION SPEC -
 WEIGHT 0.000000

NAME SCREWLOCK, FEMALE HD-SERIES
 SIZE A3 CAGE CODE 00779 DRAWING NO C-829068 RESTRICTED TO -

MATERIAL -
 FINISH -

CUSTOMER DRAWING SCALE NTS SHEET 1 OF 1 REV E