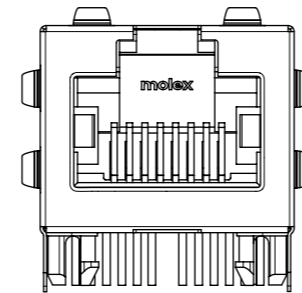
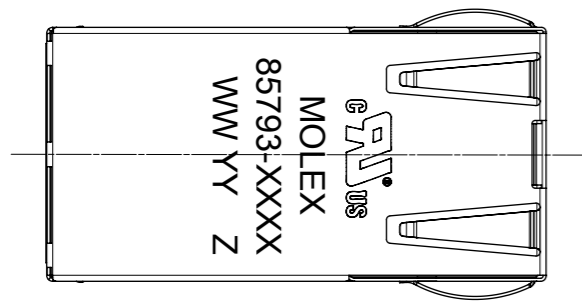


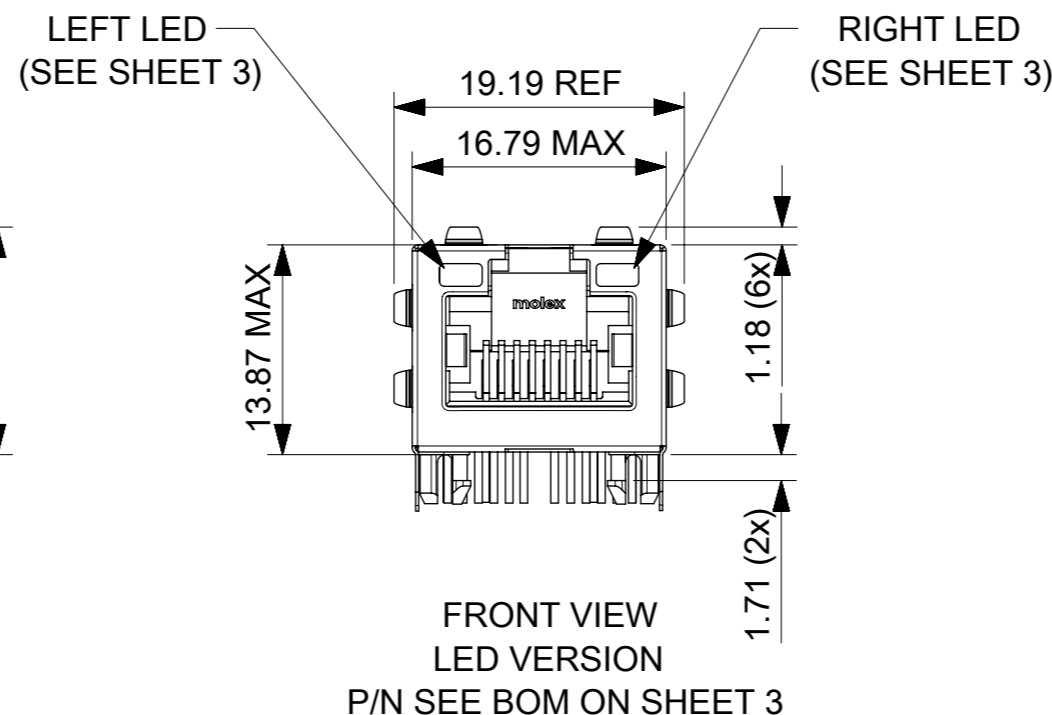
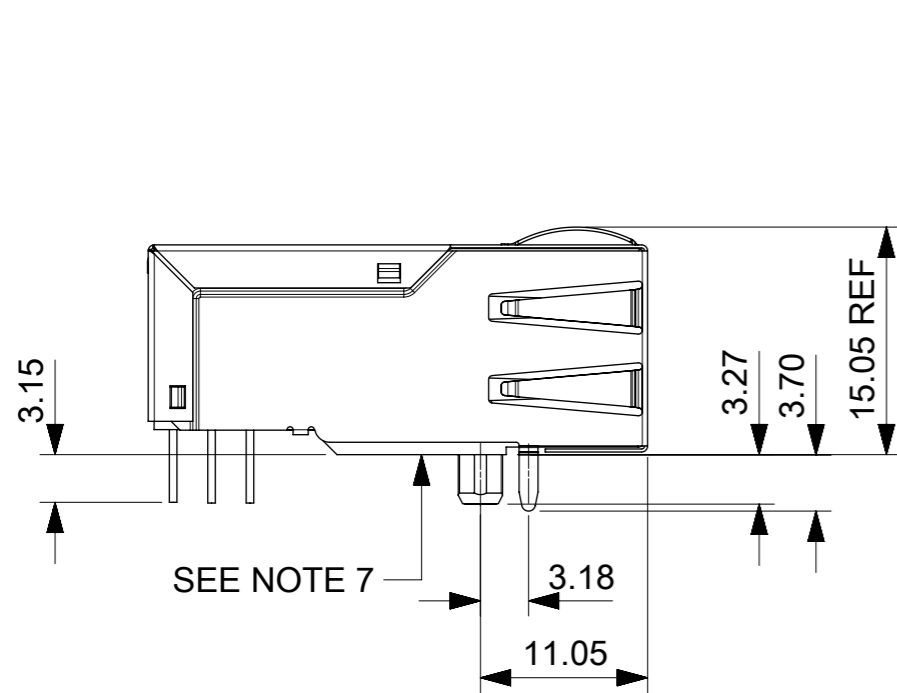
GIGABIT MAGNETIC JACK 1x1 LED

NOTES:

- 1 - SHIELD MATERIAL: STAINLESS STEEL
(GROUND PINS ARE SOLDER DIPPED)
- 2 - PLASTIC MATERIAL: PBT, BLACK, UL 94V-0
- 3 - RJ45 TERMINALS MATERIAL: COPPER ALLOY
CONTACT PLATING: 0.76 MICROMETER GOLD
OVER 1.9 MICROMETER NICKEL
PHY TERMINALS: TIN PLATED
- 4 - MATING INTERFACE ACCORDING TO IEC 60603-7
- 5 - PRODUCT SPECIFICATION: PS-85793-001
- 6 - PACKAGING SPECIFICATION: PK-85759-001
- 7 - STAND OFF TO SYSTEM BOARD
- 8 - RECOMMENDED PCB THICKNESS: 1.6mm
- 9 - SHIELD LATCHES: AVOID TO ROUTE
TRACES OR TO PLACE ANY VIAS OR PADS
BELOW THESE LATCHES
- 10 - INSCRIPTION MARKED BY LASER:
UL LOGO
1st : MOLEX
2st : P/N (SEE BOM)
3rd : DATE CODE(WEEK/YEAR)

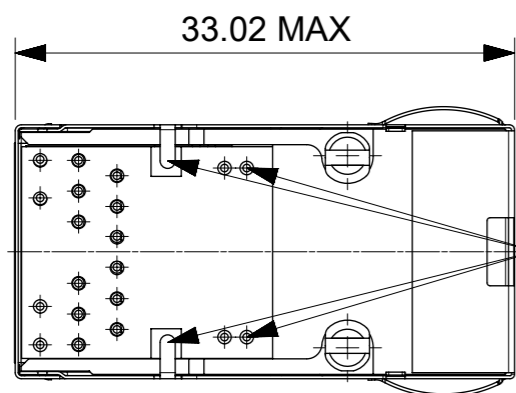
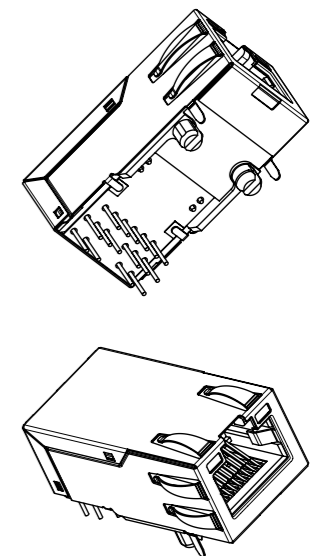


FRONT VIEW
NON LED VERSION
P/N 85793-1020



FRONT VIEW
LED VERSION
P/N SEE BOM ON SHEET 3

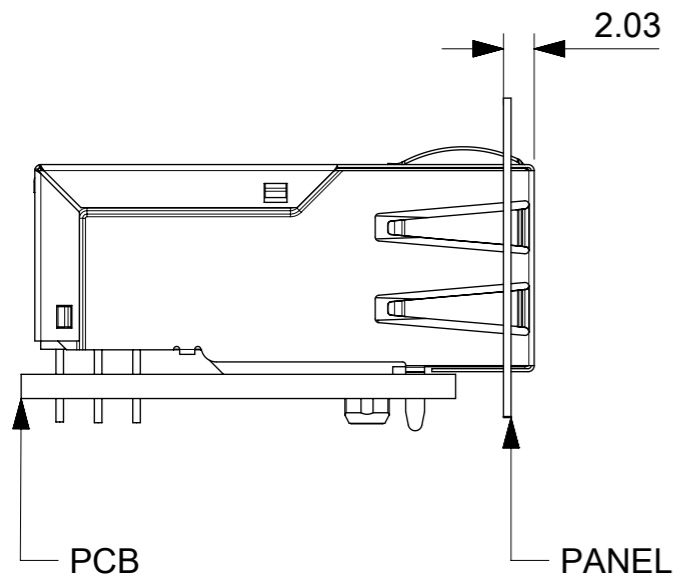
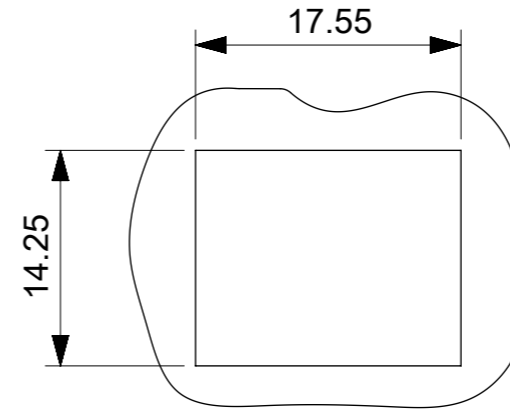
SCALE 1:1



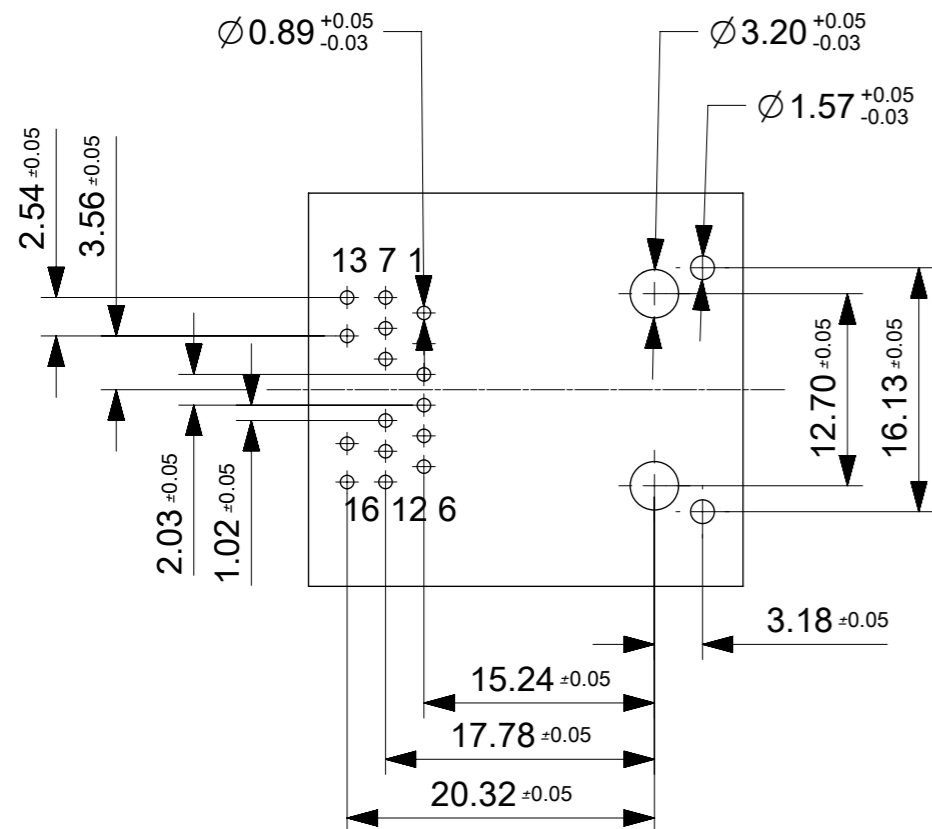
SEE NOTE 9

THIS DRAWING CONTAINS INFORMATION THAT IS PROPRIETARY TO MOLEX INCORPORATED AND SHOULD NOT BE USED WITHOUT WRITTEN PERMISSION										
EC DESCRIPTION EC NO: 101432 DRWN: MFURKEL CHK'D: RSILLER APPR: RSILLER	2015/09/24	QUALITY SYMBOLS ▽ = 0 ▽ = 0 ▽ = 0 ▽ = 0 ▽ = 0 ▽ = 0 ▽ = 0 ▽ = 0 ▽ = 0	GENERAL TOLERANCES (UNLESS SPECIFIED)		DIMENSION UNITS	SCALE	molex			
	2016/02/15		2016/02/15	2016/02/15	mm	2:1				
	ANGULAR TOL ± 0.5 °		4 PLACES ±		DRWN BY	DATE	GIGABIT MAGNETIC JACK 1X1 LED			
	3 PLACES ±		2 PLACES ± 0.25		MFURKEL	2015/06/15				
2 PLACES ± 0.25		1 PLACE ± 0.5		CHK'D BY	DATE	PRODUCT CUSTOMER DRAWING				
1 PLACE ± 0.5		0 PLACES ±		RSILLER	2015/07/02					
DRAFT WHERE APPLICABLE MUST REMAIN WITHIN DIMENSIONS		DRAFT WHERE APPLICABLE MUST REMAIN WITHIN DIMENSIONS		APPR BY	DATE	SERIES	MATERIAL NUMBER	CUSTOMER		
D		REV		A3		THIRD ANGLE PROJECTION	85793	SEE BOM/ SHEET 3/4		
							DOCUMENT NUMBER	DOC TYPE	DOC PART	SHEET NUMBER
							857931001	PSD	000	1 OF 4

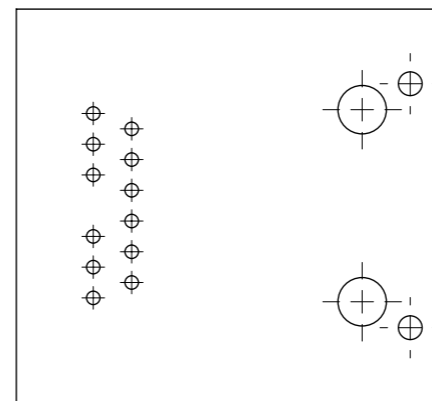
SUGGESTED PANEL CUTOUT



SUGGESTED BOARD LAYOUT- COMPONENT SIDE



SUGGESTED BOARD LAYOUT FOR NON LED VERSION

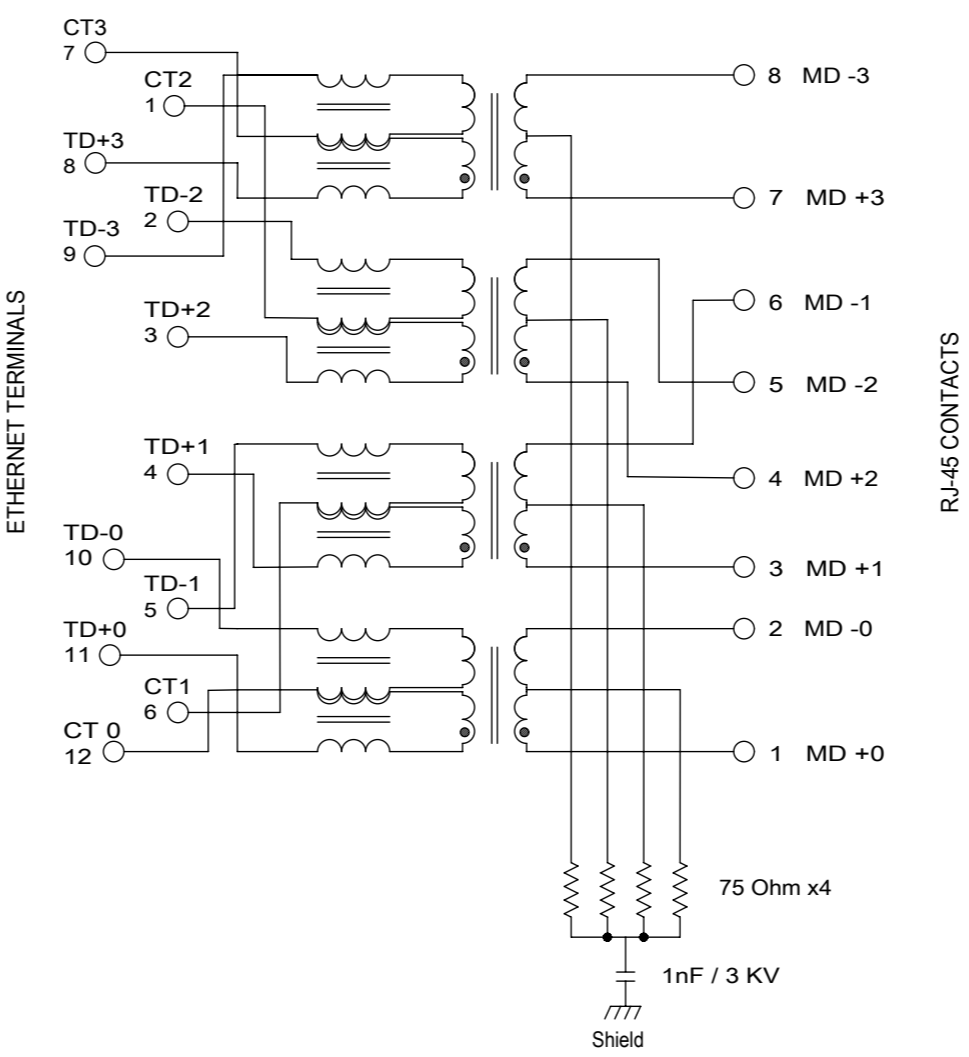


THIS DRAWING CONTAINS INFORMATION THAT IS PROPRIETARY TO MOLEX INCORPORATED AND SHOULD NOT BE USED WITHOUT WRITTEN PERMISSION

EC DESCRIPTION EC NO: 101432 DRWN: MFURKEL CHK'D: RSILLER APPR: RSILLER	2015/09/24 2016/02/15 2016/02/15	QUALITY SYMBOLS	GENERAL TOLERANCES (UNLESS SPECIFIED)	DIMENSION UNITS	SCALE			
		▽ = 0 ▽ = 0 ▽ = 0 ▼ = 0 ▽ = 0 ☒ = 0 ■ = 0 ▽ = 0	ANGULAR TOL ± 0.5 ° 4 PLACES ± 3 PLACES ± 2 PLACES ± 0.25 1 PLACE ± 0.5 0 PLACES ± DRAFT WHERE APPLICABLE MUST REMAIN WITHIN DIMENSIONS	mm	2:1			
		DRWN BY	DATE	GIGABIT MAGNETIC JACK 1X1 LED				
		MFURKEL	2015/06/15					
CHK'D BY	DATE	PRODUCT CUSTOMER DRAWING						
RSILLER	2015/07/02							
APPR BY	DATE	SERIES	MATERIAL NUMBER	CUSTOMER	SEE BOM/ SHEET 3/4			
RSILLER	2015/07/02	85793						
REV		DRAWING SIZE	THIRD ANGLE PROJECTION	DOCUMENT NUMBER	DOC TYPE	DOC PART	SHEET NUMBER	
D		A3		857931001	PSD	000	2 OF 4	

Electrical Specifications @25°C		
Operating temperature (0°C to +70°C)		
Description	VALUE	
OCL 8mA bias (0°C to +70°C)	350µH min.	
Turns Ratio	1CT:1CT	
Insertion Loss		
Frequency (MHz)	Limits (dB max.)	Typical Values (dB max.)
1.0-9.9 MHz	0.4+0.1*log(F)	0.5 @ 10MHz
10-49.9 MHz	0.5+0.3*log(F/10)	0.7 @ 50MHz
50-79.9 MHz	1+1.4*log(F/80)	1.0 @ 80MHz
80-100 MHz	1.3+3*log(F/100)	1.3 @ 100MHz
Return Loss		
Frequency (MHz)	Limits (dB min.)	TYPICAL Values (dB min.)
1-9.9 MHz	27dB min.	27 @ 10MHz
10-100 MHz	27-17*log(F/10)	10 @ 100MHz
CMR		
Frequency (MHz)	Limits (dB min.)	TYPICAL Values (dB min.)
1-9.9 MHz	34dB min.	34 @ 10MHz
10-79.9 MHz	27dB min.	27 @ 80MHz
80-199.9 MHz	27-14.5*log(F/80)	21.5 @ 200MHz
200-399.9 MHz	21.5-39*log(F/200)	10 @ 400MHz
400-1000 MHz	10	10 @ 1000MHz
NEXT		
Frequency (MHz)	Limits (dB min.)	TYPICAL Values (dB min.)
1-5.9 MHz	50	50 @ 6MHz
6-49.9 MHz	45-16*log(F/10)	34 @ 50MHz
50-100 MHz	25-30*log(F/100)	25 @ 100MHz
Isolation PHY to Wire side	2.25kVDC/60sec	

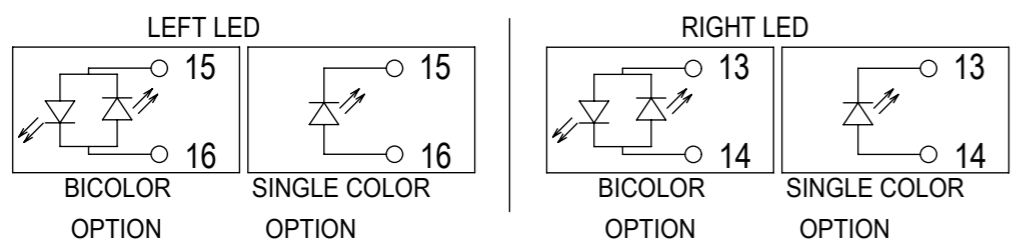
PHY SIDE / PCB SIDE ETHERNET MAGNETICS WIRE SIDE / RJ45



STANDARD VERSION

PART NUMBER	LED1 POLARITY			LED2 POLARITY		
	LEFT LED			RIGHT LED		
	PIN15	PIN16	COLOR	PIN13	PIN14	COLOR
857931001	-	+	GRN	-	+	GRN
0°C~+70°C						
857931003	-	+	GRN	-	+	GRN
0°C~+70°C	+	-	ORG			
857931006	-	+	GRN	-	+	YW
0°C~+70°C						
857931007	-	+	GRN	-	+	GRN
0°C~+70°C	+	-	YW			
857931010	-	+	GRN	-	+	YW
0°C~+70°C	+	-	YW	+	-	GRN
857931012	-	+	YW	-	+	GRN
0°C~+70°C	+	-	GRN			
857931013	-	+	YW	-	+	YW
0°C~+70°C	+	-	GRN	+	-	GRN
857931014	-	+	YW	-	+	GRN
0°C~+70°C						
857931020	NON LED					
0°C~+70°C						

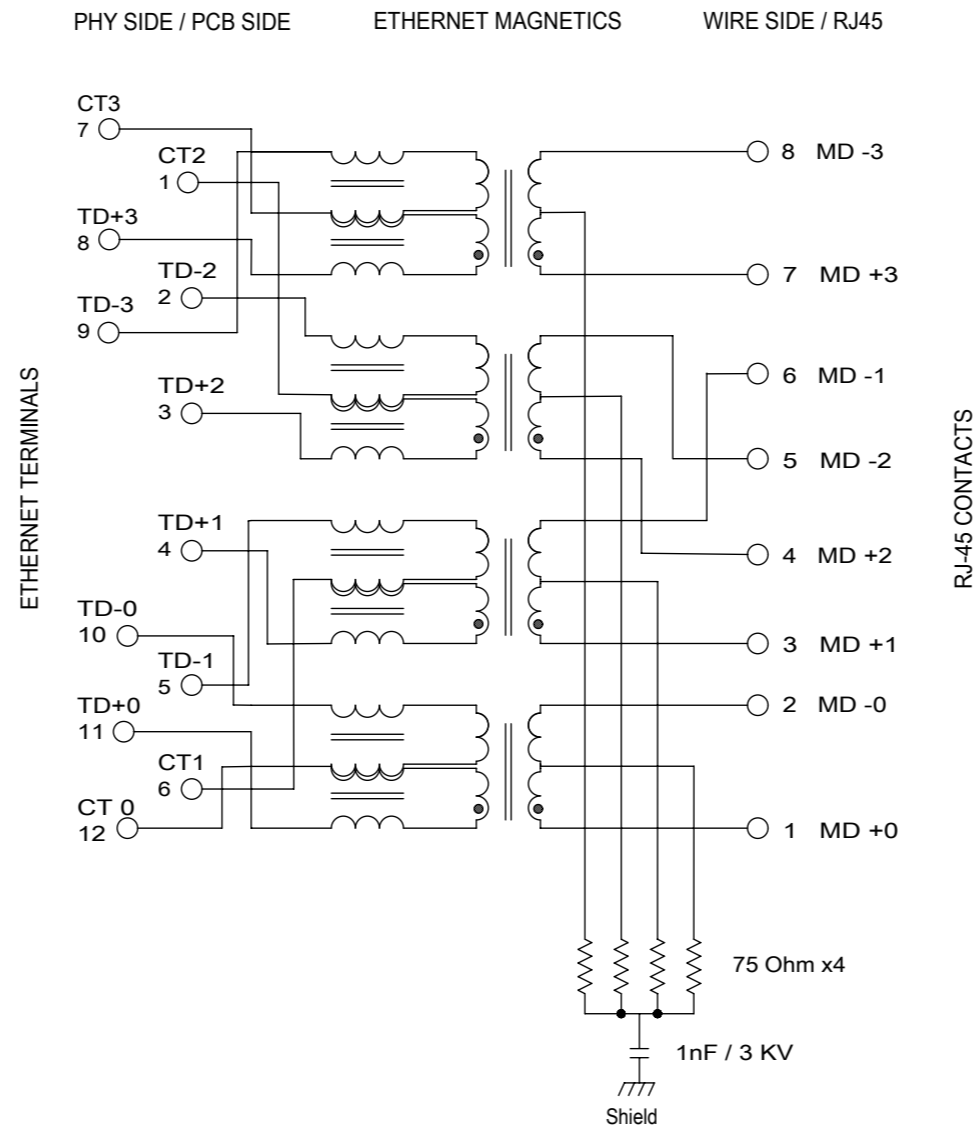
ADDITIONAL LED COLORS AND CONFIGURATIONS ARE AVAILABLE ON REQUEST



THIS DRAWING CONTAINS INFORMATION THAT IS PROPRIETARY TO MOLEX INCORPORATED AND SHOULD NOT BE USED WITHOUT WRITTEN PERMISSION

EC DESCRIPTION EC NO: 101432 DRWN: MFURKEL CHK'D: RSILLER APPR: RSILLER	2015/09/24 2016/02/15 2016/02/15	QUALITY SYMBOLS ▽ = 0 ▽ = 0 ▽ = 0 ▼ = 0 ▽ = 0 ☒ = 0 ■ = 0 ▽ = 0	GENERAL TOLERANCES (UNLESS SPECIFIED) ANGULAR TOL ± 0.5 ° 4 PLACES ± 3 PLACES ± 2 PLACES ± 0.25 1 PLACE ± 0.5 0 PLACES ± DRAFT WHERE APPLICABLE MUST REMAIN WITHIN DIMENSIONS	DIMENSION UNITS: mm SCALE: 5:1 DRWN BY: MFURKEL DATE: 2015/06/15 CHK'D BY: RSILLER DATE: 2015/07/02 APPR BY: RSILLER DATE: 2015/07/02 DRAWING SIZE: A3 THIRD ANGLE PROJECTION	
				GIGABIT MAGNETIC JACK 1X1 LED	
				PRODUCT CUSTOMER DRAWING	
				SERIES: 85793 MATERIAL NUMBER: SEE BOM/ SHEET 3/4 CUSTOMER:	DOCUMENT NUMBER: 857931001 DOC TYPE: PSD DOC PART: 000 SHEET NUMBER: 3 OF 4

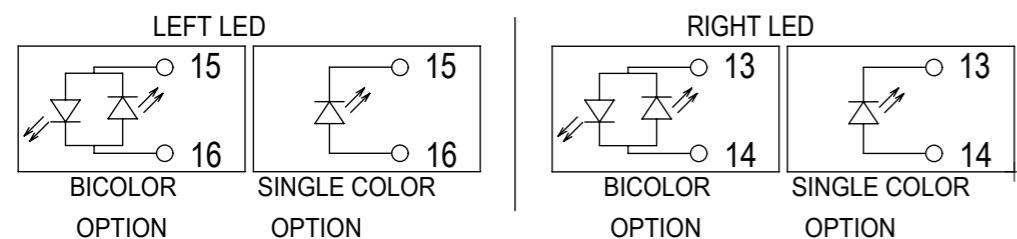
Electrical Specifications @25°C		
Operating temperature (-40°C to +85°C)		
Description	VALUE	
OCL 8mA bias (-40°C to +85°C)	350µH min.	
Turns Ratio	1CT:1CT	
Insertion Loss		
Frequency (MHz)	Limits (dB max.)	Typical Values (dB max.)
1.0-9.9 MHz	0.4+0.1*log(F)	0.5 @ 10MHz
10-49.9 MHz	0.5+0.3*log(F/10)	0.7 @ 50MHz
50-79.9 MHz	1+1.4*log(F/80)	1.0 @ 80MHz
80-100 MHz	1.3+3*log(F/100)	1.3 @ 100MHz
Return Loss		
Frequency (MHz)	Limits (dB min.)	TYPICAL Values (dB min.)
1-9.9 MHz	27dB min.	27 @ 10MHz
10-100 MHz	27-17*log(F/10)	10 @ 100MHz
CMR		
Frequency (MHz)	Limits (dB min.)	TYPICAL Values (dB min.)
1-9.9 MHz	34dB min.	34 @ 10MHz
10-79.9 MHz	27dB min.	27 @ 80MHz
80-199.9 MHz	27-14.5*log(F/80)	21.5 @ 200MHz
200-399.9 MHz	21.5-39*log(F/200)	10 @ 400MHz
400-1000 MHz	10	10 @ 1000MHz
NEXT		
Frequency (MHz)	Limits (dB min.)	TYPICAL Values (dB min.)
1-5.9 MHz	50	50 @ 6MHz
6-49.9 MHz	45-16*log(F/10)	34 @ 50MHz
50-100 MHz	25-30*log(F/100)	25 @ 100MHz
Isolation PHY to Wire side	2.25kVDC/60sec	



INDUSTRIAL VERSION / HIGH TEMP

857933006	-	+	GRN	-	+	YW
-40°C~+85°C						
857933007	-	+	GRN	-	+	GRN
-40°C~+85°C	+	-	YW			

ADDITIONAL LED COLORS AND CONFIGURATIONS ARE AVAILABLE ON REQUEST



THIS DRAWING CONTAINS INFORMATION THAT IS PROPRIETARY TO MOLEX INCORPORATED AND SHOULD NOT BE USED WITHOUT WRITTEN PERMISSION

EC DESCRIPTION EC NO: 101432 DRWN: MFURKEL CHK'D: RSILLER APPR: RSILLER	2015/09/24 2016/02/15 2016/02/15	QUALITY SYMBOLS ▽ = 0 ▽ = 0 ▽ = 0 ▼ = 0 ▽ = 0 ☒ = 0 ■ = 0 ▽ = 0	GENERAL TOLERANCES (UNLESS SPECIFIED) ANGULAR TOL ± 0.5 ° 4 PLACES ± 3 PLACES ± 2 PLACES ± 0.25 1 PLACE ± 0.5 0 PLACES ± DRAFT WHERE APPLICABLE MUST REMAIN WITHIN DIMENSIONS	DIMENSION UNITS: mm SCALE: 5:1 DRWN BY: MFURKEL DATE: 2015/06/15 CHK'D BY: RSILLER DATE: 2015/07/02 APPR BY: RSILLER DATE: 2015/07/02 DRAWING SIZE: A3 THIRD ANGLE PROJECTION	<div style="text-align: center;">molex</div> <p>GIGABIT MAGNETIC JACK 1X1 LED</p> <p>PRODUCT CUSTOMER DRAWING</p> <table border="1"> <tr> <td>SERIES</td> <td>MATERIAL NUMBER</td> <td>CUSTOMER</td> </tr> <tr> <td>85793</td> <td>SEE BOM/ SHEET 3/4</td> <td></td> </tr> <tr> <td>DOCUMENT NUMBER</td> <td>DOC TYPE</td> <td>DOC PART</td> <td>SHEET NUMBER</td> </tr> <tr> <td>857931001</td> <td>PSD</td> <td>000</td> <td>4 OF 4</td> </tr> </table>	SERIES	MATERIAL NUMBER	CUSTOMER	85793	SEE BOM/ SHEET 3/4		DOCUMENT NUMBER	DOC TYPE	DOC PART	SHEET NUMBER	857931001	PSD	000	4 OF 4
	SERIES	MATERIAL NUMBER	CUSTOMER																
	85793	SEE BOM/ SHEET 3/4																	
	DOCUMENT NUMBER	DOC TYPE	DOC PART	SHEET NUMBER															
857931001	PSD	000	4 OF 4																