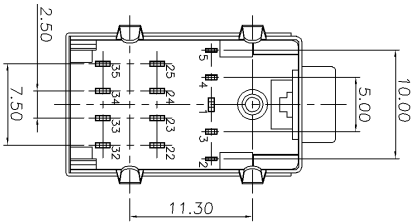


RECOMMENDED PLUG DRAWING  
SCALE: 2:1



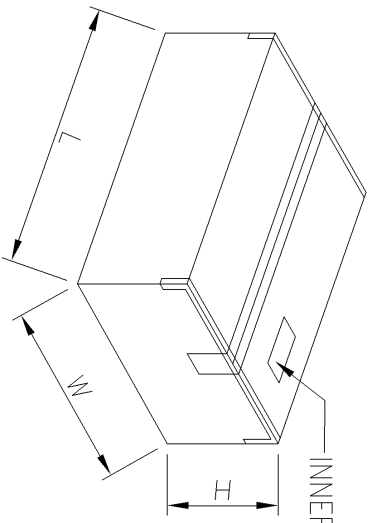
RECOMMENDED PCB LAYOUT  
(TOLERANCE: ±0.05mm)

TR	REVISION RECORD	EN	CHK	DATE
A	REVISED	ECR-06-009162	SH WK	20APR 2006
O	FIRST RELEASED	FZ00-0332-04	SH WK	24DEC 2004
LTR	REVISION RECORD	EN	DW	CHK DATE

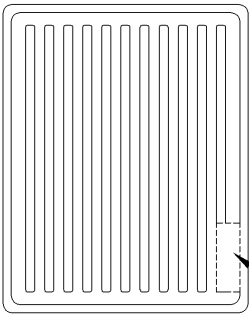
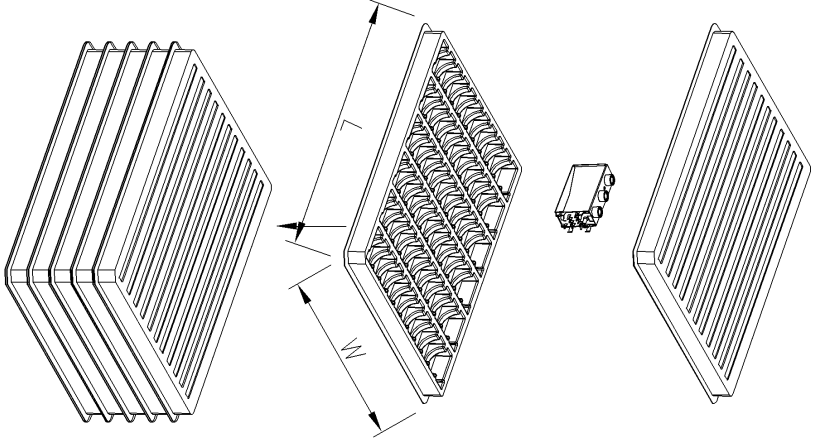
FINISH		SEE NOTE	
MATERIAL		SEE NOTE	
TOLERANCES UNLESS OTHERWISE SPECIFIED:		0 PLG ± 0.3 1 PLG ± 0.2 2 PLG ± 0.2 3 PLG ± 0.2 ANGLES ± 3°	
DWN	S. HOU	W. U. KE	W. U. KE
CHK	20-APR-2006	20-APR-2006	20-APR-2006
APVD	W. U. KE	20-APR-2006	20-APR-2006
PRODUCT SPEC	108-57377	QUALIFICATION TEST REPORT	501-57409
WEIGHT	19 GRAM	LOC	SCALE
AUDIO JACK TRIPLE STACKED DIP TYPE		DW	A3
DRAWING NO C-1775824		SCALE	---
REV		SHEET	1 OF 2
A		CUSTOMER DRAWING	

GRAY	BLACK	ORANGE	1775824-2
423C	426C	157C	
PINK	LIME	BLUE	1775824-1
701C	577C	284C	
C	B	A	PART NUMBER
JACK BARREL COLOR			
tyco TYCO HOLDINGS (BERMUDA) ELECTRONICS VII LTD. TAIWAN BRANCH			

- NOTES:
- MATERIAL:
    - HOUSING COVER & SPACER: THERMOPLASTIC .UL94V-0; COLOR: BLACK.
    - JACK BARREL: THERMOPLASTIC .UL94V-0; COLOR: SEE TABLE
    - T5 SPRING: PHOSPHOR BRONZE
    - SHELL: BRASS.
    - GROUND: BRASS.
    - TERMINAL: BRASS.
    - SPRING RING: PHOSPHOR BRONZE
  - FINISH:
    - T2: GOLD FLASH ON CONTACT AREA.
    - T1: BRIGHT TIN PLATED ON SOLDER TAIL AREA.
    - T3: MIN. NICKEL UNDERPLATED OVERALL.
    - T4: MIN. NICKEL UNDERPLATED OVERALL.
    - T5: MIN. NICKEL UNDERPLATED OVERALL.
    - T6: MIN. NICKEL UNDERPLATED OVERALL.
    - T7: MIN. NICKEL UNDERPLATED OVERALL.
    - T8: MIN. NICKEL UNDERPLATED OVERALL.
    - T9: MIN. NICKEL UNDERPLATED OVERALL.
    - T10: MIN. NICKEL UNDERPLATED OVERALL.
    - T11: MIN. NICKEL UNDERPLATED OVERALL.
    - T12: MIN. NICKEL UNDERPLATED OVERALL.
    - T13: MIN. NICKEL UNDERPLATED OVERALL.
    - T14: MIN. NICKEL UNDERPLATED OVERALL.
    - T15: MIN. NICKEL UNDERPLATED OVERALL.
    - T16: MIN. NICKEL UNDERPLATED OVERALL.
    - T17: MIN. NICKEL UNDERPLATED OVERALL.
    - T18: MIN. NICKEL UNDERPLATED OVERALL.
    - T19: MIN. NICKEL UNDERPLATED OVERALL.
    - T20: MIN. NICKEL UNDERPLATED OVERALL.
    - T21: MIN. NICKEL UNDERPLATED OVERALL.
    - T22: MIN. NICKEL UNDERPLATED OVERALL.
    - T23: MIN. NICKEL UNDERPLATED OVERALL.
    - T24: MIN. NICKEL UNDERPLATED OVERALL.
    - T25: MIN. NICKEL UNDERPLATED OVERALL.
    - T26: MIN. NICKEL UNDERPLATED OVERALL.
    - T27: MIN. NICKEL UNDERPLATED OVERALL.
    - T28: MIN. NICKEL UNDERPLATED OVERALL.
    - T29: MIN. NICKEL UNDERPLATED OVERALL.
    - T30: MIN. NICKEL UNDERPLATED OVERALL.
    - T31: MIN. NICKEL UNDERPLATED OVERALL.
    - T32: MIN. NICKEL UNDERPLATED OVERALL.
    - T33: MIN. NICKEL UNDERPLATED OVERALL.
    - T34: MIN. NICKEL UNDERPLATED OVERALL.
    - T35: MIN. NICKEL UNDERPLATED OVERALL.
  - RECOMMENDED PCB THICKNESS: 1.60mm
  - WAVE SOLDER CAPABLE TO 265°C PER TYCO SPEC. 109-202, CONDITION B.

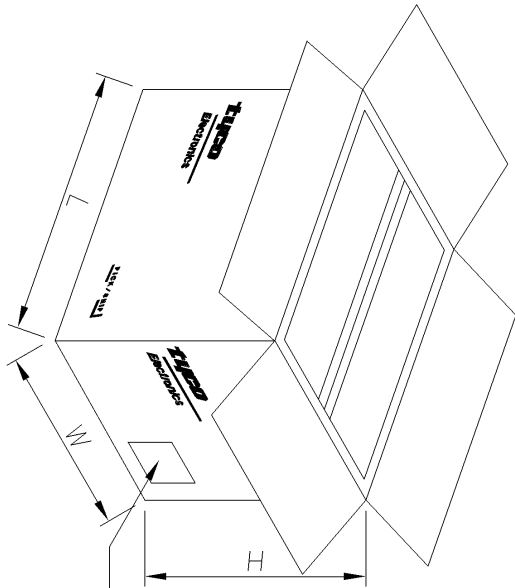


INNER LABEL



TRAY LAYOUT

TRAY LABEL



CARTON LABEL

- NOTES :
1. MATERIAL :
  - 1.1 TRAY: PS WHITE
  - 1.2 INNER CARTON: CORRUGATED FIBERBOARD
  - 1.3 SHIPPING CARTON: CORRUGATED FIBERBOARD
  2. DIMENSION:
  - 2.1 TRAY: L=345mm, W=280mm, H=26mm
  - 2.2 INNER CARTON: L=350mm, W=285mm, H=155mm
  - 2.3 SHIPPING CARTON: L=365mm, W=300mm, H=335mm
  3. QUANTITY:
  - 3.1 PRIMARY PACKING: 66 PCS/TRAY
  - 3.2 SECONDARY PACKING: 5 TRAYS/INNER CARTON(330PCS)
  - 3.3 SECONDARY PACKING: 2 INNERS/CARTON(660PCS)
  4. WEIGHT:
  - 4.1 NET WEIGHT: 12.5Kg
  - 4.2 GROSS WEIGHT: 14.5Kg

TOLERANCES UNLESS OTHERWISE SPECIFIED:		DIM	S. HOU
0 P/C	±	20-APR-2006	W.J. KE
1 P/C	±	20-APR-2006	W.J. KE
2 P/C	±	20-APR-2006	W.J. KE
3 P/C	±	20-APR-2006	W.J. KE
ANGLES #	±		
MATERIAL		FINISH	QUALIFICATION TEST REPORT
SEE NOTE		SEE NOTE	
PRODUCT SPEC		WGT	SCALE
20-APR-2006		---	---
AUDIO JACK		LOC	SIZE
TRIPLE STACKED		DW	A3
DIP TYPE		SCALE	---

TOLERANCES UNLESS OTHERWISE SPECIFIED:		DIM	S. HOU
0 P/C	±	20-APR-2006	W.J. KE
1 P/C	±	20-APR-2006	W.J. KE
2 P/C	±	20-APR-2006	W.J. KE
3 P/C	±	20-APR-2006	W.J. KE
ANGLES #	±		
MATERIAL		FINISH	QUALIFICATION TEST REPORT
SEE NOTE		SEE NOTE	
PRODUCT SPEC		WGT	SCALE
20-APR-2006		---	---
AUDIO JACK		LOC	SIZE
TRIPLE STACKED		DW	A3
DIP TYPE		SCALE	---

TOLERANCES UNLESS OTHERWISE SPECIFIED:		DIM	S. HOU
0 P/C	±	20-APR-2006	W.J. KE
1 P/C	±	20-APR-2006	W.J. KE
2 P/C	±	20-APR-2006	W.J. KE
3 P/C	±	20-APR-2006	W.J. KE
ANGLES #	±		
MATERIAL		FINISH	QUALIFICATION TEST REPORT
SEE NOTE		SEE NOTE	
PRODUCT SPEC		WGT	SCALE
20-APR-2006		---	---
AUDIO JACK		LOC	SIZE
TRIPLE STACKED		DW	A3
DIP TYPE		SCALE	---

TOLERANCES UNLESS OTHERWISE SPECIFIED:		DIM	S. HOU
0 P/C	±	20-APR-2006	W.J. KE
1 P/C	±	20-APR-2006	W.J. KE
2 P/C	±	20-APR-2006	W.J. KE
3 P/C	±	20-APR-2006	W.J. KE
ANGLES #	±		
MATERIAL		FINISH	QUALIFICATION TEST REPORT
SEE NOTE		SEE NOTE	
PRODUCT SPEC		WGT	SCALE
20-APR-2006		---	---
AUDIO JACK		LOC	SIZE
TRIPLE STACKED		DW	A3
DIP TYPE		SCALE	---

LTR	SEE SHEET 1	ECN	DWG/CHK	DATE
	REVISION RECORD			

PRINT	DIST
DW	

A

B

C

D