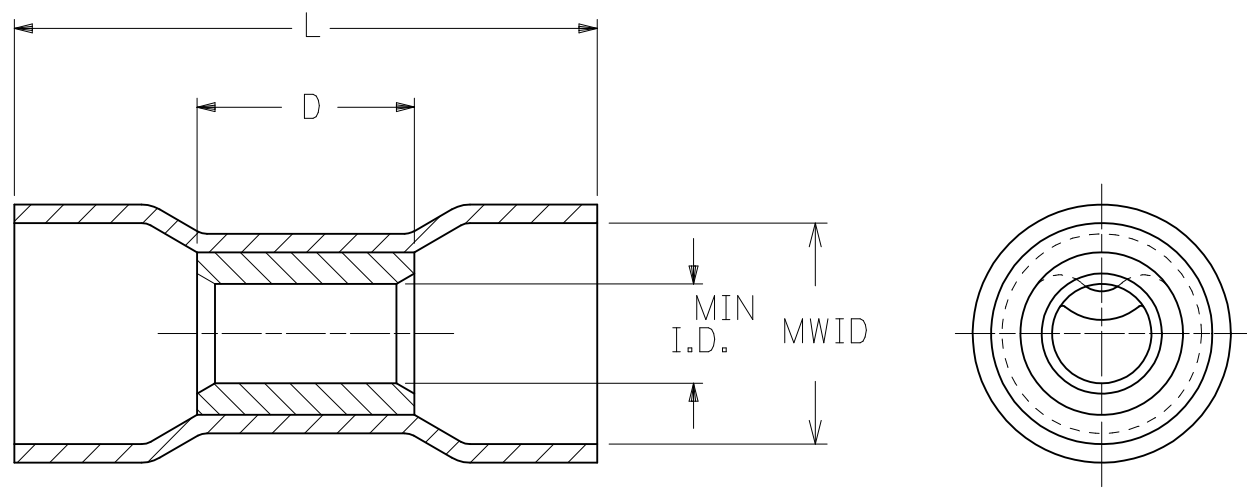


MATERIAL NUMBER	ENGINEERING P/N	WIRE SIZE	INSULATION COLOR	I.D. MIN.	MWID*	"D" MAX.	"L" MAX.
192060012	D-655X	8	RED	.165 / 4.19	.33 / 8.3 (A)	.398 / 10.11	1.07 / 27.2
192060013	E-66 IX	6	BLUE	.230 / 5.84	.44 / 11.1	.467 / 11.86	1.30 / 33.0
192060015	F-655X	4	YELLOW	.277 / 7.03	.60 / 15.2	.537 / 13.64	1.39 / 35.3

(A)



NOTES:

- MATERIALS:  
 SPLICE: MATTE-TIN PLATED COPPER  
 INSULATION: PVC
- MWID = MAXIMUM WIRE INSULATION DIAMETER
- PARTS ARE ROHS COMPLIANT.

REDRAWN FROM DOC CD-21100

(A)

REDRAW, D MWID EC NO: WNA2011-0558 DRWN:ETHRODAHL 2011/05/12 CHKD:JMACNEIL 2011/05/12 APPR:JMACNEIL 2011/05/12	QUALITY SYMBOLS	GENERAL TOLERANCES (UNLESS SPECIFIED)		DIMENSION STYLE	SCALE	DESIGN UNITS	THIRD ANGLE PROJECTION	
	$\blacktriangledown=0$ $\nabla=0$	mm	INCH	IN/MM (A)	---	INCH		
		4 PLACES	± ---	± ---	DRAWN BY	DATE	TITLE INSULKRIMP SEAMLESS PARALLEL CONNECTORS SALES DRAWING	
		3 PLACES	± ---	± .005	RCM	1996/04/15		
	2 PLACES	± 0.13	± .01	CHECKED BY	DATE	MOLEX INCORPORATED DOCUMENT NO. SD-19206-001 (A) SHEET NO. 1 OF 1		
	1 PLACE	± 0.25	± ---	RWD	1996/04/15			
		ANGULAR ± ---°		APPROVED BY	DATE	THIS DRAWING CONTAINS INFORMATION THAT IS PROPRIETARY TO MOLEX INCORPORATED AND SHOULD NOT BE USED WITHOUT WRITTEN PERMISSION		
		DRAFT WHERE APPLICABLE MUST REMAIN WITHIN DIMENSIONS		JMACNEIL	2011/05/12			
A	REV			MATERIAL NO.				
				SIZE				
				A				