

6 5 4 3 2 1

E

E

D

D

C

C

B

B

A

A

6

5

4

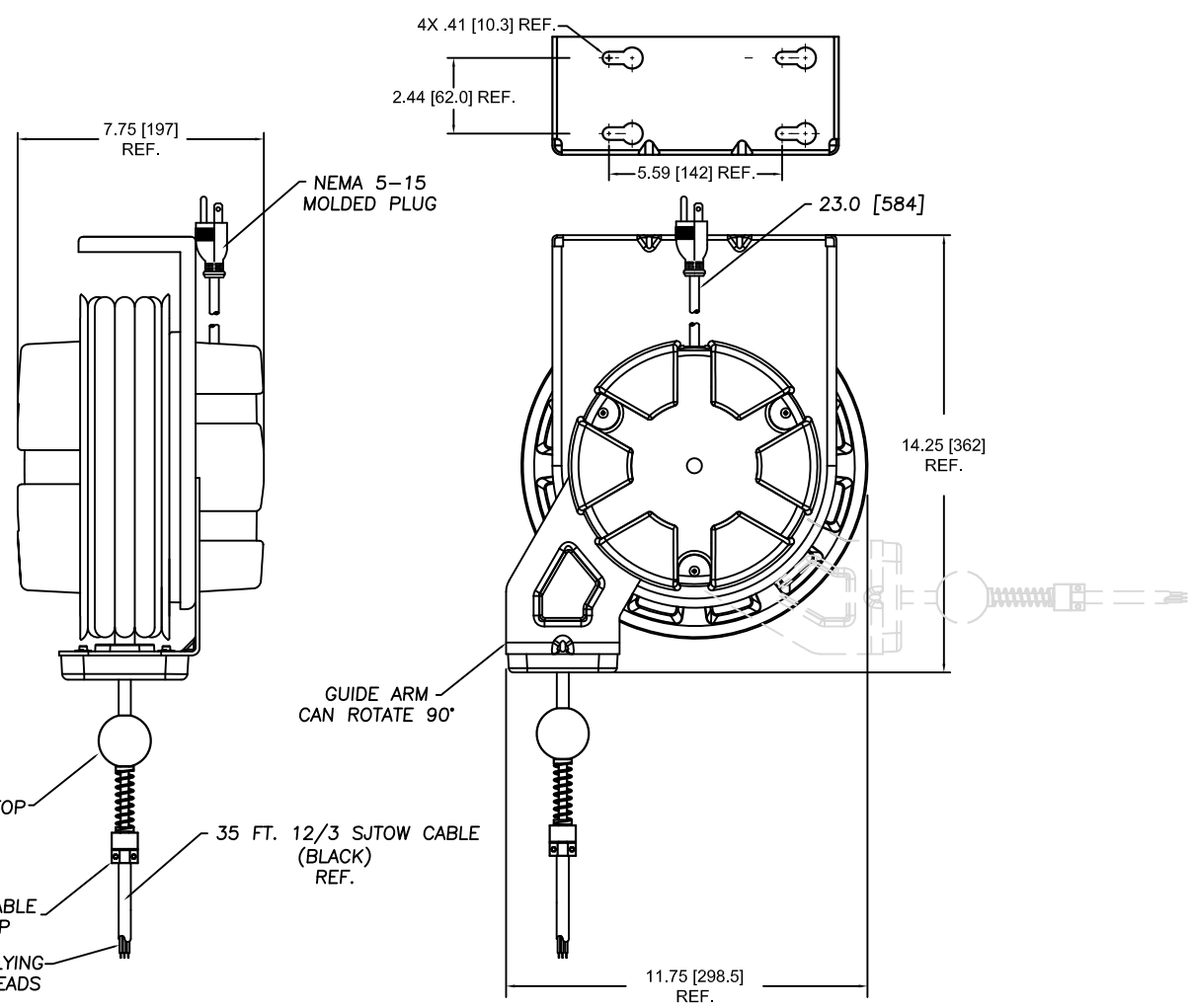
3

2

1

| | |
|-----------------------|---------------------|
| ORDER NO. | 130091-0109 |
| WOODHEAD ENG. NO. | 997 |
| WIRE GAUGE | 12 |
| CONDUCTORS | 3 |
| AMPERAGE | 15A |
| CORD LENGTH | 35 FT [10.6 M] |
| CORD TYPE | SJTOW |
| CONSTRUCTION | SHEET METAL/PLASTIC |
| PAINT | YELLOW POWDER COAT |
| REEL ENCLOSURE RATING | INDOOR |
| RETRACTION WEIGHT | 3.0 LB [1.4 KG] |

REFERENCE
USE ONLY



- NOTES:
1. CABLE GUIDE IS ADJUSTABLE - DUAL POSITION
 2. RATCHET LOCK IS EASY TO DISENGAGE FOR CONSTANT TENSION.
 3. REEL CANNOT BE "LOCKED OUT" AT FULL TENSION.
 4. BALL STOP AND AUTO ON/OFF SWITCH INCLUDED
 5. SWITCH IS "ON" WHEN RATCHET LOCK IS ENGAGED.

| | | | | | | | | | | |
|---|-----------------|---------------------------------------|-------|----------------------------|----------------|---|---|--------------------------|-------|-----------|
| EC DESCRIPTION EC NO: --- DRWN: --- CHKD: --- APPR: --- | QUALITY SYMBOLS | GENERAL TOLERANCES (UNLESS SPECIFIED) | | DIMENSION STYLE IN/MM | | SCALE NTS | DESIGN UNITS INCH | THIRD ANGLE PROJECTION | | |
| | | | mm | INCH | DRAWN BY KA | DATE 8-23-2013 | TITLE 997SW | | | |
| | | 4 PLACES | ±--- | ±--- | CHECKED BY | DATE | CORD REEL W / 35' #12-3 SJOW & AUTO ON/OFF SWITCH | | | |
| | | 3 PLACES | ±--- | ±.005 | APPROVED BY | | DATE | MOLEX MOLEX INCORPORATED | | SHEET NO. |
| | 2 PLACES | ±0.13 | ±.010 | --- | | --- | DOCUMENT NO. | | SHEET | |
| | 1 PLACE | ±0.25 | ±.020 | MATERIAL NO. 1300910109 | | 997SW | | | | |
| DRAFT WHERE APPLICABLE MUST REMAIN WITHIN DIMENSIONS | | ANGULAR ±1/2° | | SIZE A | | THIS DRAWING CONTAINS INFORMATION THAT IS PROPRIETARY TO MOLEX INCORPORATED AND SHOULD NOT BE USED WITHOUT WRITTEN PERMISSION | | | | |

6

5

4

3

2

1