

Type APX Automotive Blade Fuse Maxi Size



www.optifuse.com (619) 593-5050

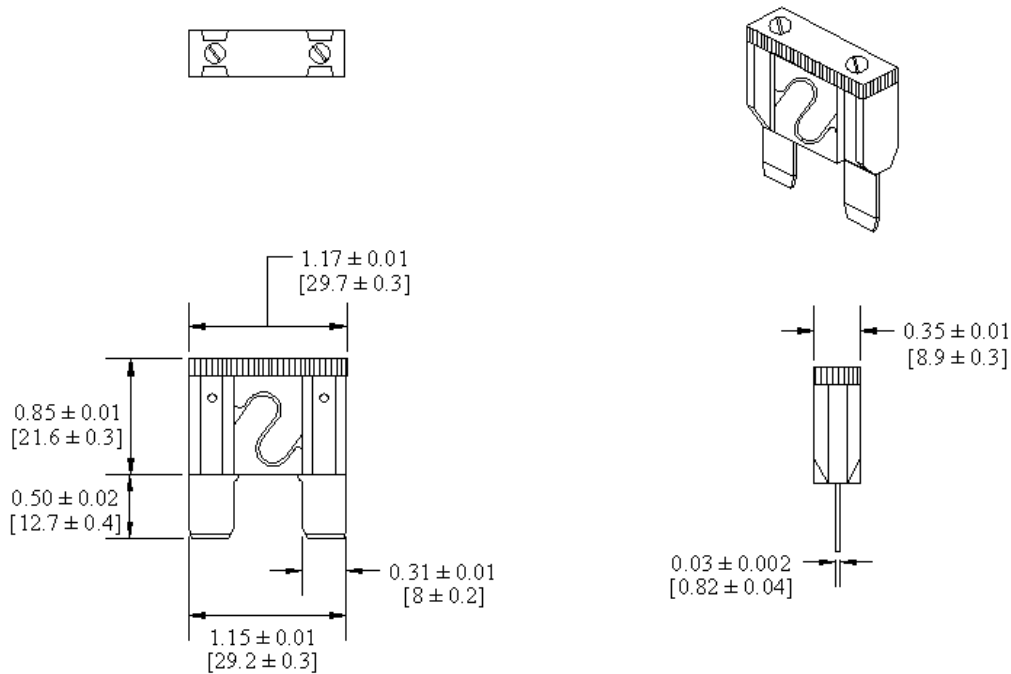
Specifications:

- Voltage: 32V DC
- Amperage: 20A, 30A, 40A, 50A, 60A, 70A, 80A, 100A, 120A
- Designed to meet SAE J1888 and ISO 8820-3 Standards.

Part Number	Amperage	Body Color
APX-20A	20A	Yellow
APX-30A	30A	Green
APX-40A	40A	Orange
APX-50A	50A	Red
APX-60A	60A	Blue
APX-70A	70A	Tan
APX-80A	80A	Clear
APX-100A	100A	Violet
APX-120A	120A	Pink

Time Characteristics:		
% of Rated Current	Min Hold Time	Max Hold Time
110%	100h	
135%	60s	1800s (20~60A) 3600s (70~120A)
200%	1.5s	60s
350%	200ms	7s
600%	40ms	1s

Mechanical Dimensions: Inches [mm]



<p>Warning:</p>	<p>-Operation beyond the specified maximum ratings or improper use may result in damage and possible electrical arcing and/or flame.</p> <p>-Avoid contact of device with chemical solvent. Prolonged contact may damage the device performance.</p>
------------------------	--

Type APX
Automotive Blade Fuse
Maxi Size



www.optifuse.com (619) 593-5050

Time Current Curve Graph

