

# AC centrifugal fan

forward curved, dual inlet  
with housing (flange)

ebm-papst Mulfingen GmbH & Co. KG  
Bachmühle 2  
D-74673 Mulfingen  
Phone: +49(0)7938/81-0  
Fax: +49(0)7938/81-110  
info1@de.ebmpapst.com  
www.ebmpapst.com

## Nominal data

Type	D2E133-AM47-23		
Motor	M2E068-DF		
Phase		1~	1~
Nominal voltage	V	230	230
Frequency	Hz	50	60
Type of data definition		rfa	ml
Valid for approval / standard		CE	CE
Speed	min <sup>-1</sup>	1500	1800
Power input	W	190	200
Current draw	A	0.84	0.88
Motor capacitor	μF	3	3
Capacitor voltage	VDB	450	450
Min. back pressure	Pa	0	100
Max. ambient temperature	°C	35	25

ml = max. load · me = max. efficiency · rfa = running at free air · cs = customer specs · cu = customer unit  
Subject to alterations

# AC centrifugal fan

forward curved, dual inlet  
with housing (flange)

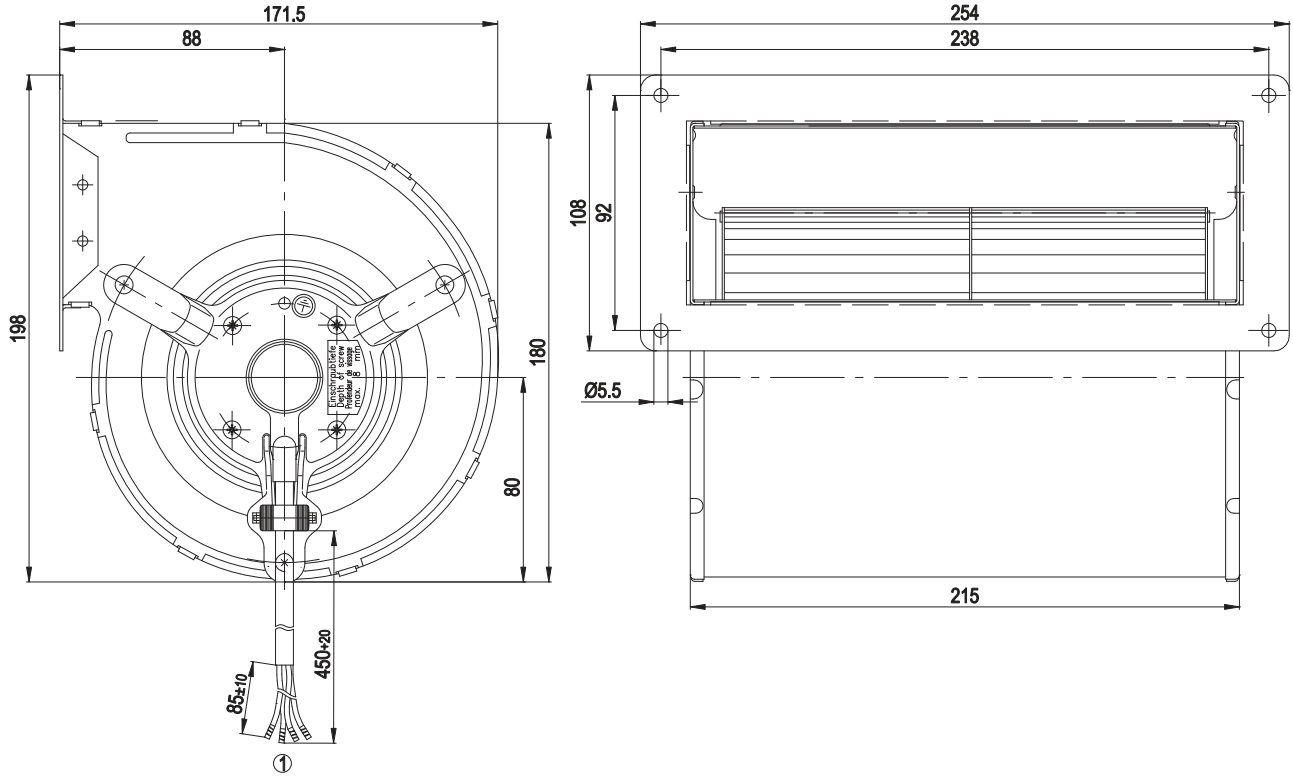
## Technical features

Leakage current	< 0.75 mA
General description	With flange
Size	133 mm
Operation mode	S1
Direction of rotation	Clockwise, seen on rotor
Mounting position	Any
Humidity class	F0
Insulation class	"B"
Cable exit	Axial
Condensate discharge holes	None
Motor bearing	Ball bearing
Mass	3.5 kg
Housing material	Sendzimir galvanized sheet steel
Material of impeller	Sendzimir galvanized sheet steel
Motor suspension	Motor mounted via brackets on one side
Motor protection	Thermal overload protector (TOP) wired internally
Product conforming to standard	CE; EN 60335-1
Surface of rotor	Partially cast in aluminium
Type of protection	IP 44
Protection class	I
Max. permissible ambient motor temp. (transp./ storage)	+ 80 °C
Min. permissible ambient motor temp. (transp./storage)	- 40 °C
Approval	CCC; GOST

# AC centrifugal fan

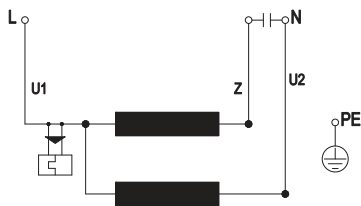
forward curved, dual inlet  
with housing (flange)

## Product drawing



1 Connection line PVC, 4x brass lead tips crimped

## Connection screen

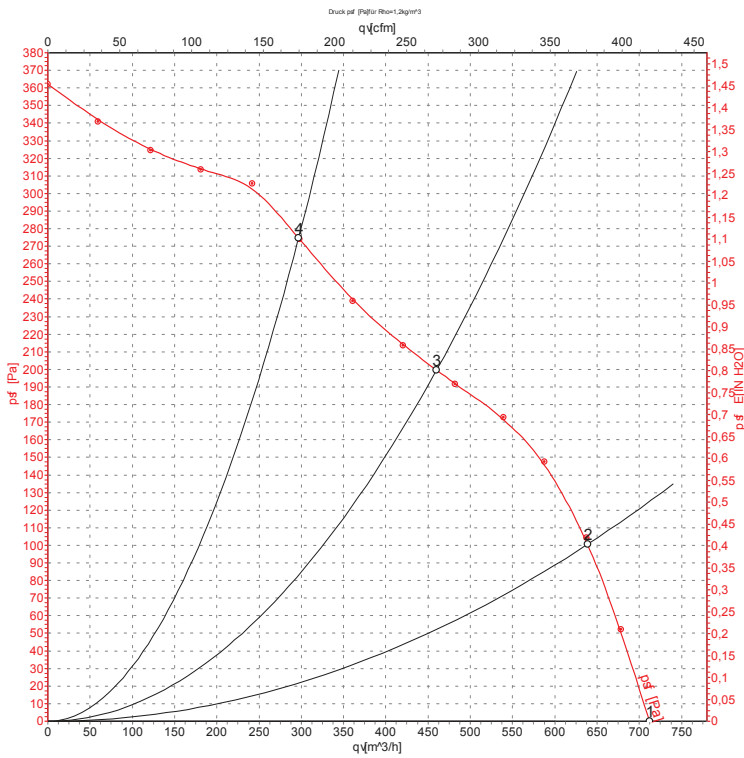


U1	blue	Z	brown	U2	black
PE	green/yellow				

# AC centrifugal fan

forward curved, dual inlet  
with housing (flange)

## Charts: Air flow 50 Hz



Measurement: LU-105263

Air performance measured as per ISO 5801 Installation Category A. For detailed information on the measuring set-up, please contact ebm-papst. Suction-side noise levels: L<sub>WA</sub> measured as per ISO 13347 / L<sub>pA</sub> measured with 1m distance to fan axis. The values given are valid under the measuring conditions mentioned above and may vary according to the actual installation situation. With any deviation from the standard set-up, the specific values have to be checked and reviewed with the unit installed.

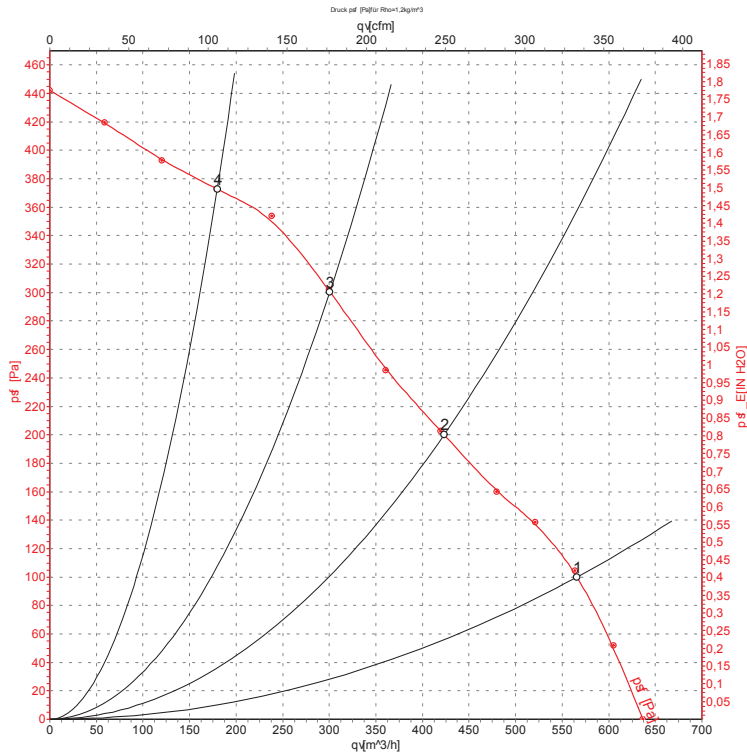
## Measured values

	U	f	n	P <sub>1</sub>	I	q <sub>v</sub>	P <sub>sf</sub>
	V	Hz	min <sup>-1</sup>	W	A	m <sup>3</sup> /h	Pa
1	230	50	1500	190	0.84	710	0
2	230	50	1890	164	0.72	640	102
3	230	50	2310	141	0.61	460	200
4	230	50	2570	118	0.52	295	275

# AC centrifugal fan

forward curved, dual inlet  
with housing (flange)

## Charts: Air flow 60 Hz



Measurement: LU-105265

Air performance measured as per ISO 5801 Installation Category A. For detailed information on the measuring set-up, please contact ebm-papst. Suction-side noise levels: LwA measured as per ISO 13347 / LpA measured with 1m distance to fan axis. The values given are valid under the measuring conditions mentioned above and may vary according to the actual installation situation. With any deviation from the standard set-up, the specific values have to be checked and reviewed with the unit installed.

## Measured values

	U	f	n	P <sub>1</sub>	I	qv	P <sub>sf</sub>
	V	Hz	min <sup>-1</sup>	W	A	m <sup>3</sup> /h	Pa
1	230	60	1800	200	0.88	565	100
2	230	60	2310	181	0.78	425	200
3	230	60	2685	170	0.74	300	300
4	230	60	2945	159	0.70	180	375