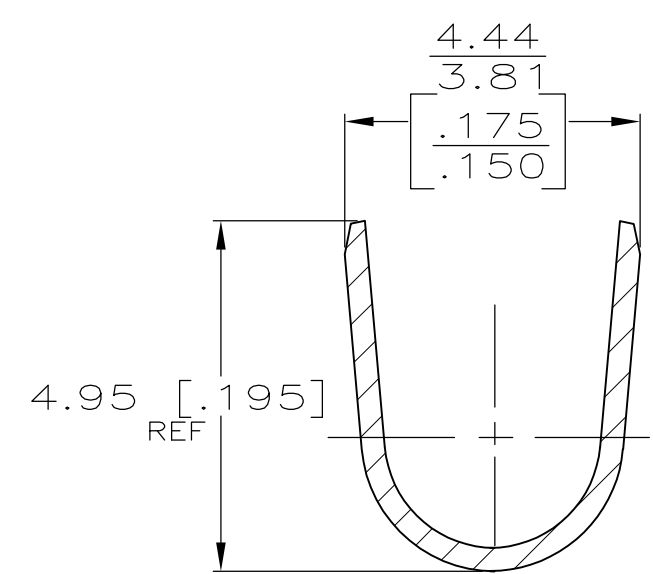
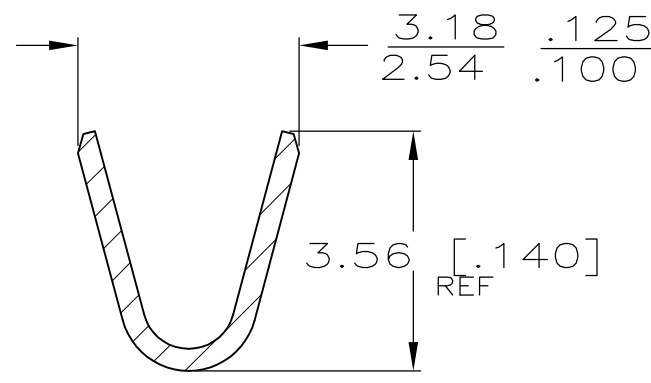
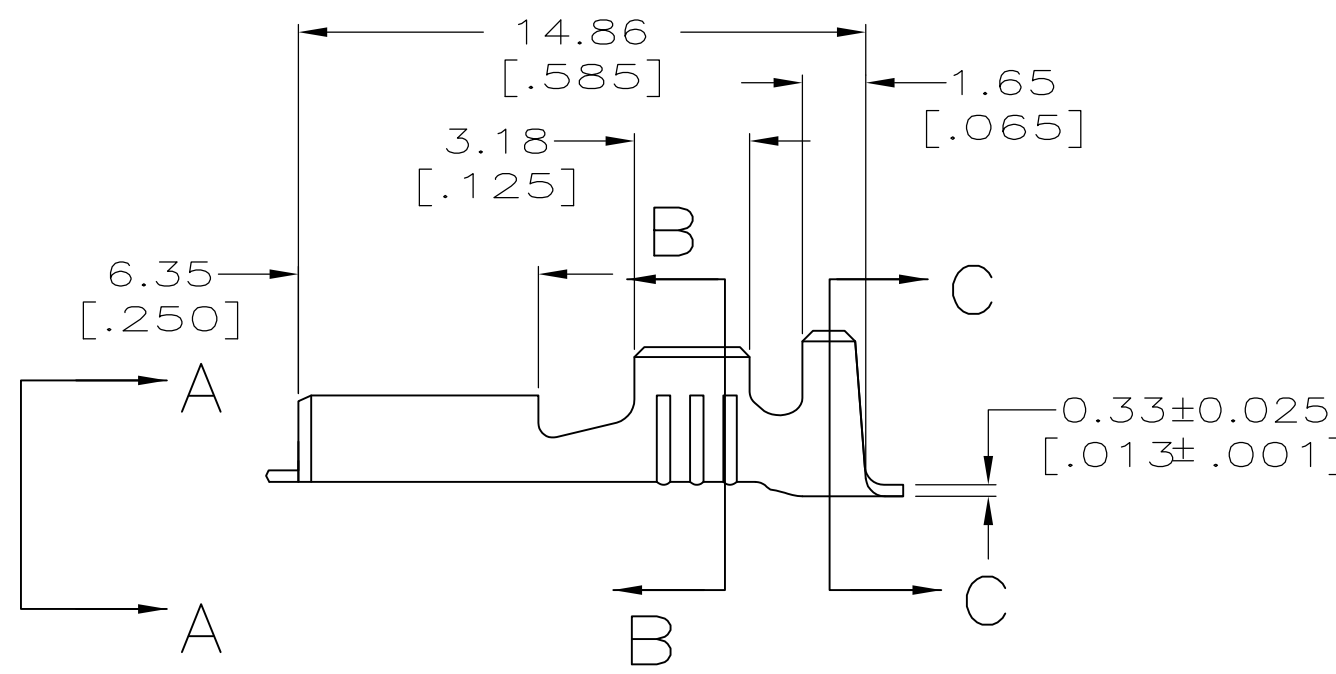
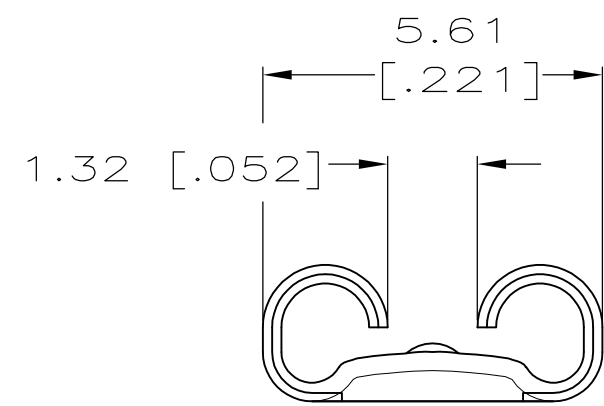
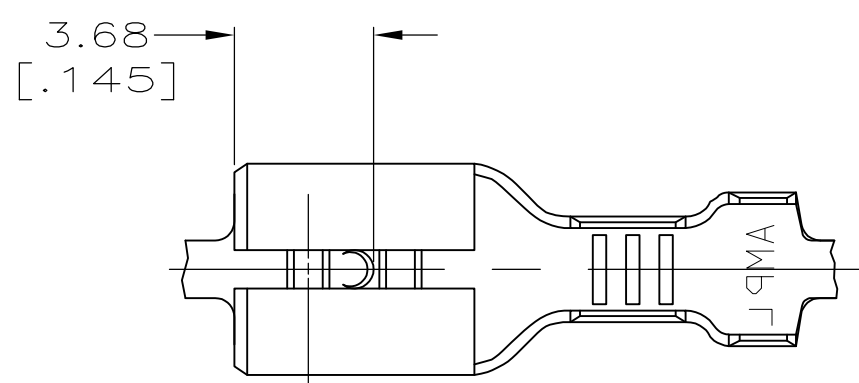


THIS DRAWING IS UNPUBLISHED. RELEASED FOR PUBLICATION
 © COPYRIGHT - By - ALL RIGHTS RESERVED.

LOC	DIST	REVISIONS					
AF	50	P	LTR	DESCRIPTION	DATE	DWN	APVD
		F		REVISED PER ECR-12-013518	23NOV2012	KH	PD

- 1 ACCEPTS WIRE SIZE [#20-#16] AWG.
- 2 INSULATION RANGE IS 2.29-3.30 [.090-.130] DIA.
- 3 CONTINUOUS STRIP ON REELS.



OBSOLETE	TIN	0.51±0.025	63556-2
	-	[.020±.001]	-63556-1
	FINISH	MATING TAB THICKNESS	PART NUMBER

F OR 0	3.56 [.140]	4.78 [.188]	F	2.29 [.090]	1.52 [.060]	1.3mm ² [16]
					1.35 [.053]	0.8mm ² [18]
					1.24 [.049]	0.5mm ² [20]
TYPE	WIDTH	STRIP LENGTH ±0.38 ±[.015]	TYPE	WIDTH	±.051 [±.002] HEIGHT	WIRE
INSUL BARREL CRIMP		WIRE BARREL CRIMP				

THIS DRAWING IS A CONTROLLED DOCUMENT.

DIMENSIONS: mm [INCHES]

TOLERANCES UNLESS OTHERWISE SPECIFIED:

0 PLC	± -
1 PLC	± -
2 PLC	± 0.25 [.010]
3 PLC	± -
4 PLC	± -
ANGLES	± -

MATERIAL: BRASS
FINISH: SEE TABLE

DWN: JR RUTH 11/8/89
 CHK: MS FEHER 11/8/89
 APVD: C MEYERS 11/8/89
 PRODUCT SPEC: -
 APPLICATION SPEC: -
 WEIGHT: -

STE TE Connectivity

RECEPTACLE, LIF, FASTON, 4.75 [.187] SERIES

SIZE: A3 CAGE CODE: 00779 DRAWING NO: C-63556 RESTRICTED TO: -

CUSTOMER DRAWING SCALE: 5:1 SHEET: 1 OF 1 REV: F