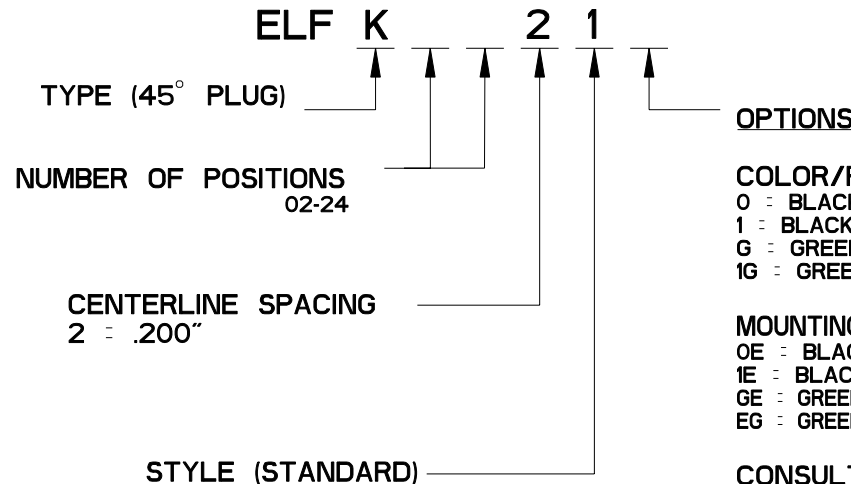


REV	ECN	APP'D
-	3600	JEC 12/11/98
A	4686	IQ 1/2/02
B	5137	

ELFK SERIES PART NUMBERING SCHEME



OPTIONS

COLOR/PLATING

0 = BLACK, TIN-LEAD (STANDARD)
 1 = BLACK, SELECTIVE GOLD
 G = GREEN, TIN-LEAD
 1G = GREEN, SEL. GOLD

MOUNTING EARS

OE = BLACK, TIN-LEAD
 IE = BLACK, SEL. GOLD
 GE = GREEN, TIN-LEAD
 EG = GREEN, SEL. GOLD

CONSULT PCD FOR PART NO. AND AVAILABILITY OF FOLLOWING OPTIONS:

- CUSTOM COLORS
- CUSTOM MARKING
- CUSTOM KEYING
- SELECTIVE CONTACT LOADING



RATINGS

CURRENT - 15A
 VOLTAGE - 300V
 U.L. FILE NO. E83421



RATINGS

CURRENT - PENDING
 VOLTAGE - PENDING
 CSA FILE NO. LR69703

DIN VDE 0627:1986
 DIN VDE 0110-1:1989
 EN 60947-1:1991
 EN 60947-7-1:1992

CURRENT - PENDING
 VOLTAGE - PENDING
 TUV FILE NO. 20396

INSTALLATION RECOMMENDATIONS

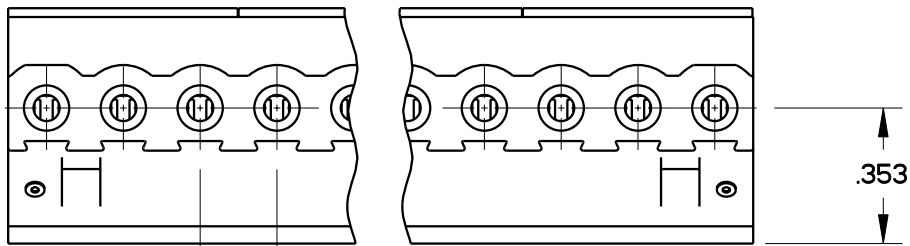
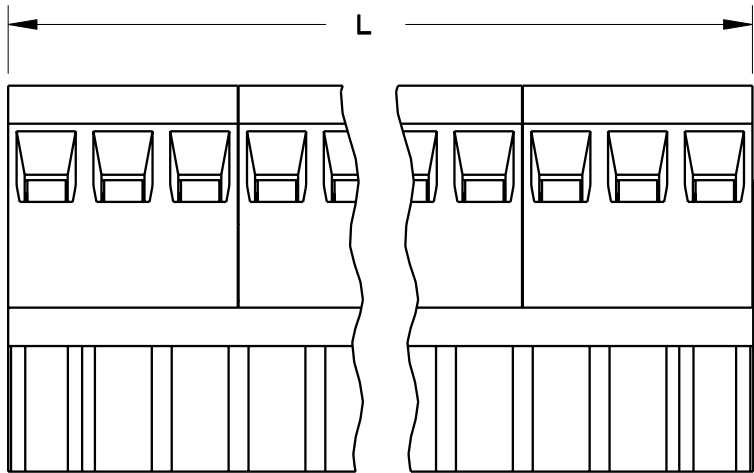
WIRE RANGE: AWG #14-26, STRANDED
 OR SOLID; AWG #12 STRANDED
 WIRE STRIP LENGTH: .310"
 TIGHTENING TORQUE: 7 LB-IN.

MATERIALS:

HOUSING: PPO, UL 94 V-0
 CONTACT: COPPER ALLOY, NICKEL FINISH
 SCREW: STEEL, NICKEL FINISH
 WIRE CLAMP: COPPER ALLOY, NICKEL FINISH

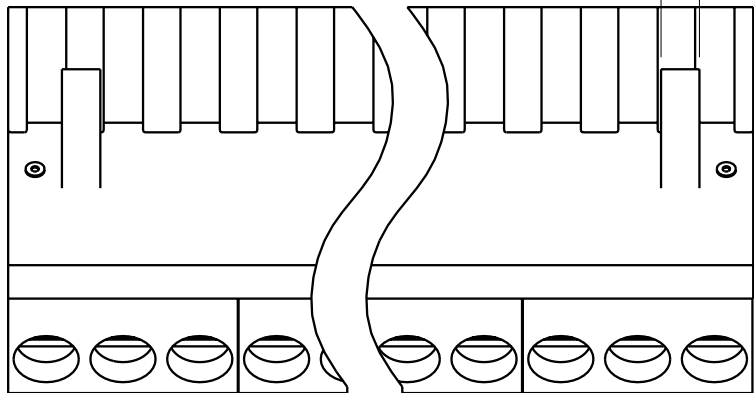
MAX OPERATING TEMPERATURE:
 105°C

DIMENSIONS ANSI Y14.5M UNITS: INCHES Pro/E FILE	TOLERANCES .XX ±0.01 .XXX ±0.005 ANGLES ±2.0°	PROJECTION 	SPECIFICATION DRAWING			TITLE ELFK SERIES PLUG ASSEMBLY 45°		
			ENGR D. MANTER 10-Dec-98					
ORIGINAL STAMPED IN RED	THIS DOCUMENT CONTAINS PROPRIETARY INFORMATION WHICH IS THE CONFIDENTIAL PROPERTY OF PCD, INC. PEABODY, MA, USA		CHKD		SIZE A	DWG NO. ELFK02210		REV B
			APPD J. CAHALY 12/11/98			CODE: 58982		SCALE: NONE

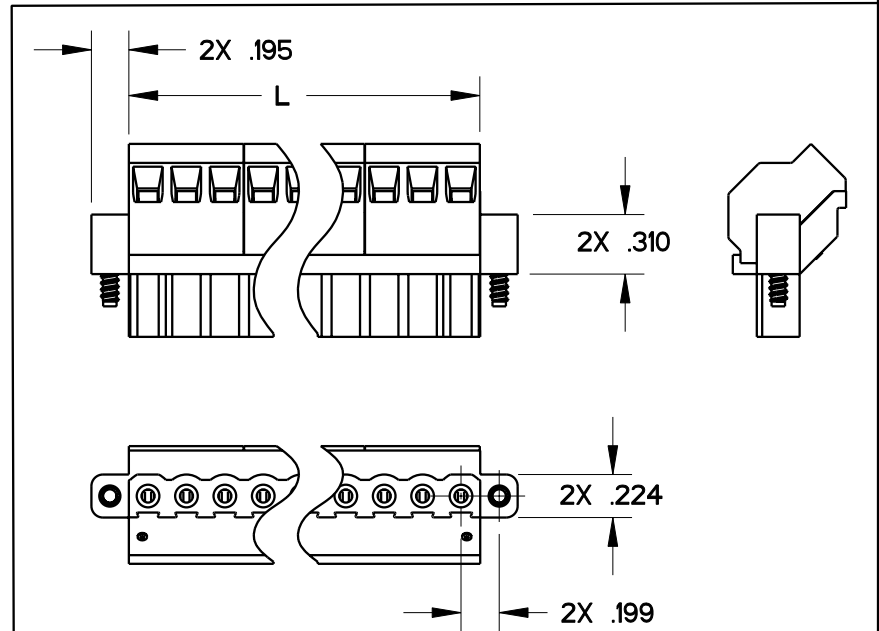
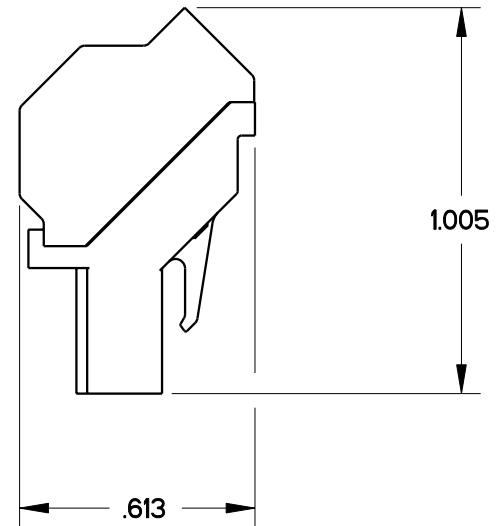


.200 TYP

2X .100
2X .140



L=NUM OF POS X CL SPACING



MOUNTING EARS CONFIGURATION

SIZE A	DWG NO. ELFK02210	REV B
CODE: 58982	SCALE: NONE	SHEET 2 OF 2