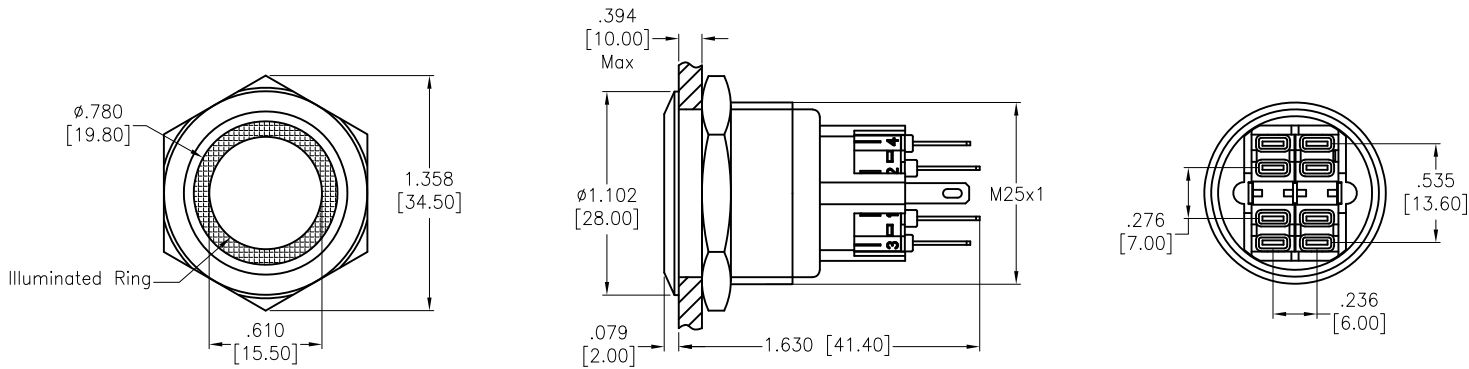
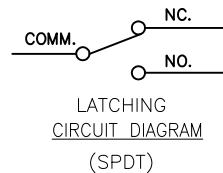


APPROVED: _____
 DATE: _____ TITLE: _____

Rev	AWO #	Description	Date	Appr
-		RELEASED	11/2/21	
A		UPDATE SPEC.	11/12/21	WX/RC



SPECIFICATIONS:
 Material:
 Body: PA, Rated UL94V-0
 Bushing: Stainless Steel, Varnish polished
 Button: Stainless Steel, Varnish polished
 Contact Material: Silver Alloy, (2.8X0.5mm)
 Nut: Brass, Nickel plated
 Electrical:
 Voltage rating: 250V
 Current rating: 5A max
 Contact resistance: 50 m Ω max.
 Insulation resistance: 1000M ohms min @ 500V DC.
 Dielectric withstanding voltage: 2000V RMS, 50Hz.
 Electrical Life: 50,000 cycles min at full load.
 Mechanical:
 Torque: 0.6Nm max.
 Temperature Rating:
 Operating temperature: -25°C to +55°C
 Environmental:
 Sealed IP65 Rated
 Lead free, RoHS compliant



SW-PB7-03LB5CFRXXXXX

"x"	LED Color	LED Voltage	
R	Red	2.8V	2.8V AC/DC
G	Green	6V	6V AC/DC
Y	Yellow	12V	12V AC/DC
O	Orange	24V	24V AC/DC
B	Blue	110V	110V AC/DC
W	White	220V	220V AC/DC

UNLESS OTHERWISE SPECIFIED ALL DIMENSIONS ARE INCHES [MM]. TOLERANCES: EXCEPT AS NOTED

INCHES		HOLES	
.x	$\pm .10$	ϕ .x	$\pm .10$
.xx	$\pm .020$	ϕ .xx	$\pm .015$
.xxx	$\pm .015$	ϕ .xxx	$\pm .010$

ADAM TECH 909 Rahway Avenue,
 Union, NJ 07083
 Phone: 908-687-5000
 Fax: 908-687-5710

DRAWN	JJ	11/2/21
CHECKED	RC	11/2/21
APPROVED		

TITLE SWITCH, ANTI-VANDAL, PUSH BUTTON,
 25mm, LIGHTED RING, SPDT, LATCHING, N.O.-N.C.

THIS DRAWING CONTAINS INFORMATION THAT IS PROPRIETARY AND SHOULD NOT BE USED WITHOUT PRIOR WRITTEN PERMISSION FROM ADAM TECH

SIZE	PART NO.	REV.
X	SW-PB7-03LB5CFRXXXXX	A
REF: S00198T	SCALE: NTS	SHEET 1 OF 1