

**ENERGIZER 397**

**ZEROMERCURY**

**SILVER OXIDE**

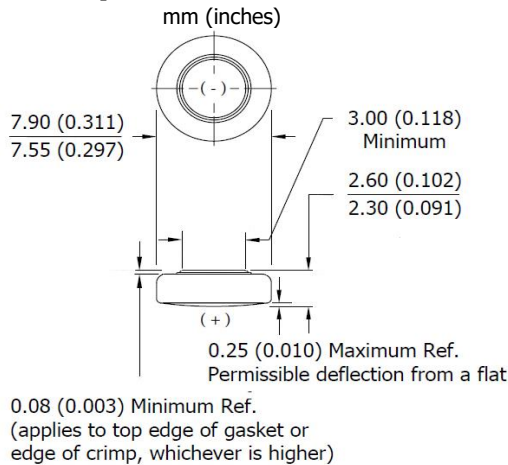


**General Information**

**Chemical System:** Silver Oxide (Zn/Ag<sub>2</sub>O)  
**Designation:** ANSI-1164SO/1163SO, IEC-SR59  
**Nominal Voltage:** 1.55 Volts  
**Typical Capacity:** 34 mAh\* (to 1.2 volts)  
**Capacity Test:** 33K ohm continuous drain at 21°C  
**Typical Weight:** 0.5 grams (0.018 oz.)  
**Typical Volume:** 0.13 cubic centimeters (0.008 cubic inch)  
**Impedance (40 Hz):** 15 to 30 ohms

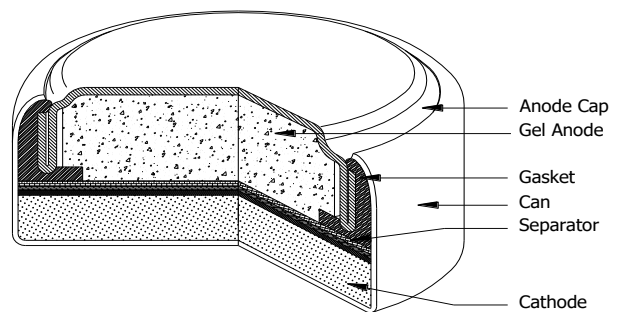
\* Varies according to the applied load, temperature, and cutoff voltage.

**Industry Standard Dimensions**



DESIGNED FOR USE ON CONTINUOUS LOW DRAIN

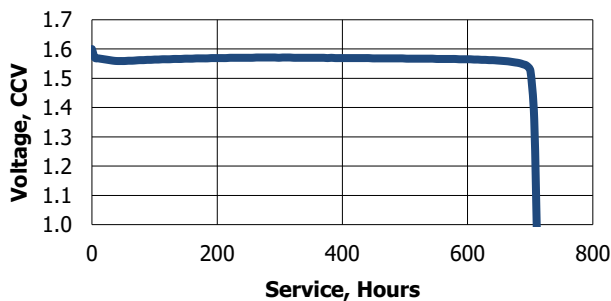
**Cross Section**



**Typical Discharge Characteristics**

Typical Performance at 21°C (70°F)

**Schedule:** Continuous  
**Typical Drain @1.56V:**  
 0.047 milliamperes  
**Load:** 33K ohm

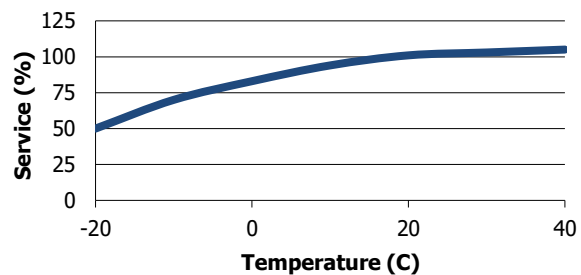


Schedule	Typical Drains at 1.49V (milliamperes)	Load (ohm)	Cutoff (hours)
Continuous	0.047	33K	718

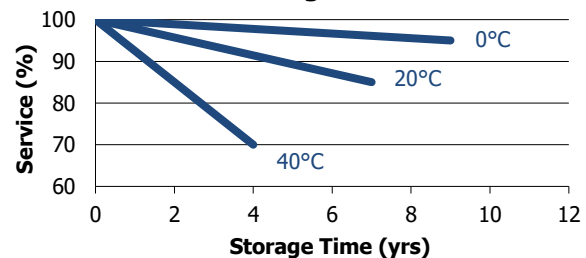
**Temperature Characteristics**

Typical Performance at Low Discharge Rates

**Service Effects**



**Storage Effects**



**Important Notice**

This datasheet contains typical information specific to products manufactured at the time of its publication.  
**Contents herein do not constitute a warranty and are for reference only.**