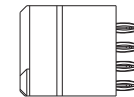
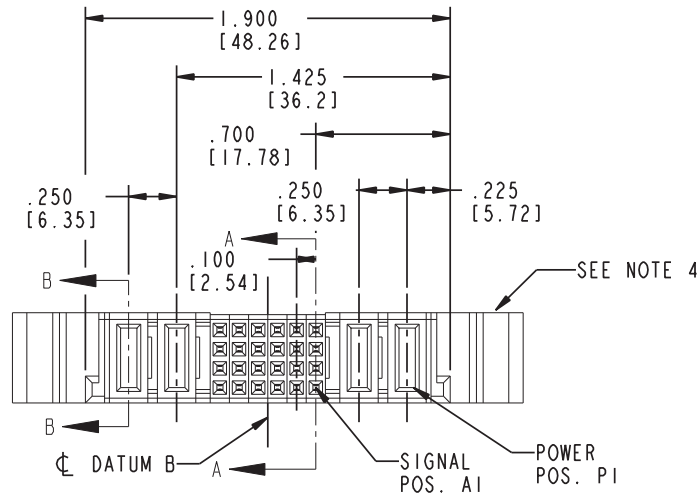
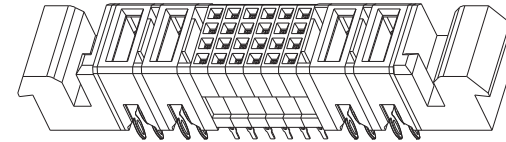
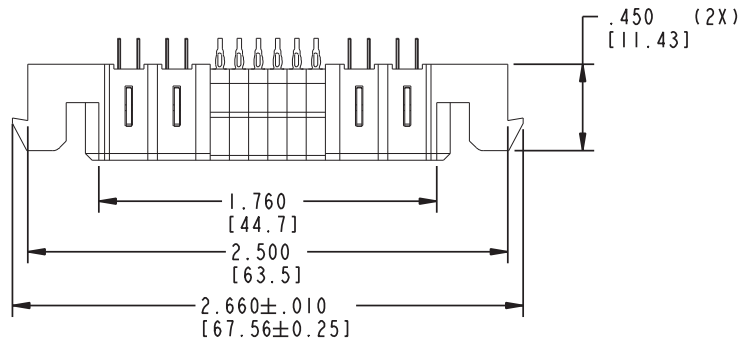


Tous droits strictement réservés. Reproduction ou communication a des tiers interdite sous quelque forme que ce soit sans autorisation écrite du propriétaire. Propriété de c FCI. Droits de reproduction FCI.

All rights strictly reserved. Reproduction or issue to third parties in any form whatever is not permitted without written authority from the proprietor. Property of FCI. Copyright FCI.



PRODUCT NO.	ROWS	POWER		SIGNAL						POWER		E1
		E2	P4	P3	6	5	4	3	2	1	P2	
10071628-001-- NOTE ③	D C B A	PC	PC	F	F	F	F	F	F	F	PC	PC



CODE	DIM "M" MATING LENGTH	CONTACT TYPE
PC	.042 [1.07]	POWER
F	N/A [N/A]	SIGNAL

mat'l code				SEE NOTE 2		tolerances unless otherwise specified		CUSTOMER		 www.fciconnect.com	
lir	ecn no.	dr	date	linear	.XX±.01/0.X±0.3		COPY		title		
A	DG06-0433	SW	08/04/06		.XX±.005/0.XX±0.13		projection		2P + 24S + 2P		
					.XXX±.0020/0.XXX±0.051				VERTICAL PF REC. WITH EAR		
				angles	0°±2°				product family		
				dr	STEVEN WANG	08/04/06	MM		PwrBlade		
				enrg	STEVEN WANG	08/04/06	1:1		code		
				chr	BEER FU	08/04/06			213		
				appd	JOSEPH HSIA	08/04/06			sheet		
sheet index		revision sheet	A	A	A	A			1 of 4		
			1	2	3	4					

Pro/E

PDM: Rev: A

STATUS: Released

Printed: Dec 20, 2010

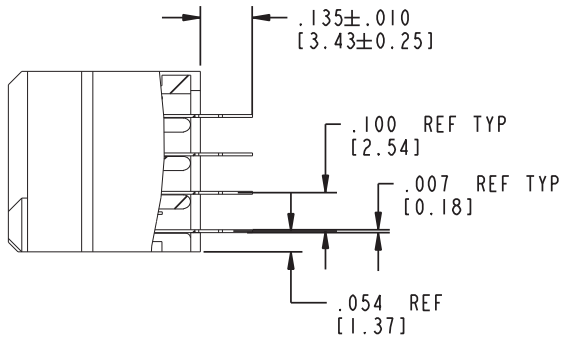
cage code 22526

Tous droits strictement réservés. Reproduction ou communication a des tiers interdite sous quelque forme que ce soit sans autorisation écrite du propriétaire. Propriété de c FCI. Droits de reproduction FCI.

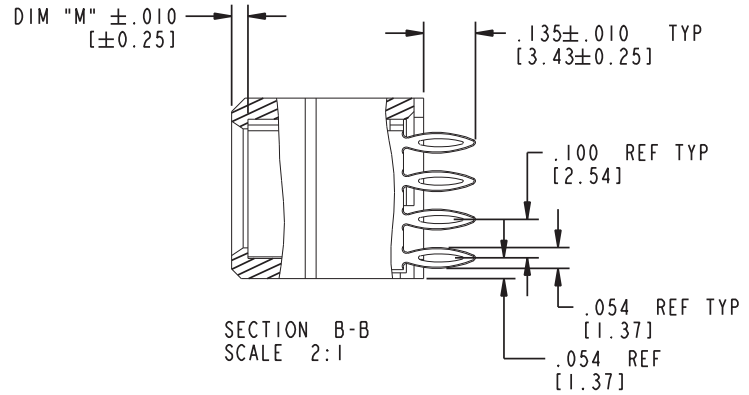


All rights strictly reserved. Reproduction or issue to third parties in any form whatever is not permitted without written authority from the proprietor. Property of FCI. Copyright FCI.

PRODUCT NUMBER
10071628-001..
 NOTE ③



SECTION A-A
 SCALE 2:1



SECTION B-B
 SCALE 2:1

mat'l code		SEE NOTE 2		tolerances unless otherwise specified		CUSTOMER		 www.fciconnect.com	
lir	ecn no.	dr	date	linear	.XX±.01/0.X±0.3	COPY		title	
A				projection	.XX±.005/0.XX±0.13			2P + 24S + 2P VERTICAL PF REC. WITH EAR	
				angles	.XXX±.0020/0.XXX±0.051			product family	
				dr	0°±2°	scale		PwrBlade	
				enr	STEVEN WANG 08/04/06	1:1		code	
				enr	STEVEN WANG 08/04/06			213	
				chr	BEER FU 08/04/06			sheet	
				appd	JOSEPH HSIA 08/04/06			2 of 4	
sheet index	revision sheet								

Pro/E

PDM: Rev: A

STATUS: Released

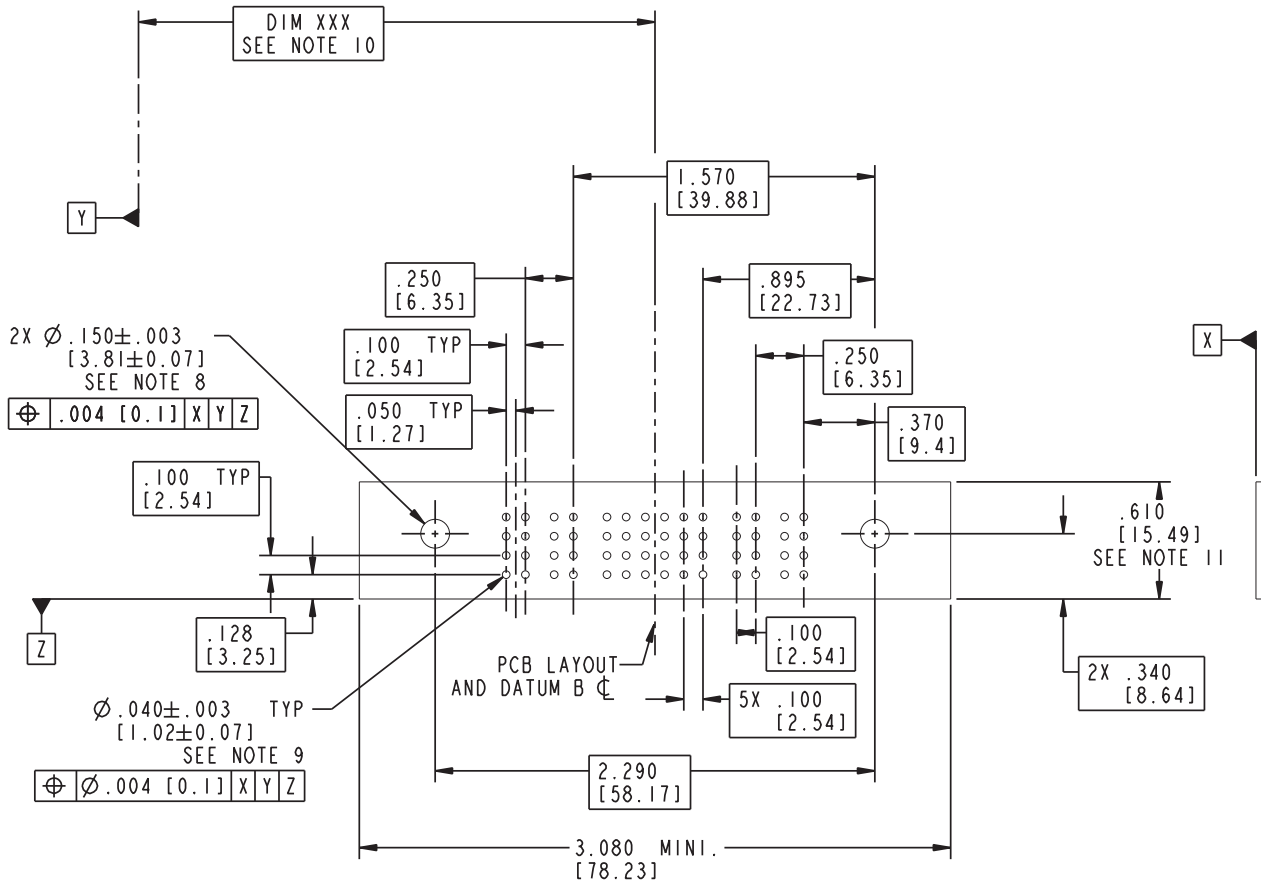
Printed: Dec 20, 2010

Tous droits strictement réservés. Reproduction ou communication a des tiers interdite sous quelque forme que ce soit sans autorisation écrite du propriétaire. Propriété de c FCI. Droits de reproduction FCI.

All rights strictly reserved. Reproduction or issue to third parties in any form whatever is not permitted without written authority from the proprietor. Property of FCI. Copyright FCI.



PRODUCT NUMBER
10071628-001..
 NOTE ③



mat'l code		SEE NOTE 2		tolerances unless otherwise specified		CUSTOMER		 www.fciconnect.com	
ltr	ecn no.	dr	date	linear	.XX±.01/0.X±0.3	projection	title		
A				linear	.XX±.005/0.XX±0.13		2P + 24S + 2P		
				angles	.XXX±.0020/0.XXX±0.051		VERTICAL PF REC. WITH EAR		
				dr	STEVEN WANG 08/04/06		product family		code
				enr	STEVEN WANG 08/04/06	MM	PwrBlade		213
				chr	BEER FU 08/04/06	scale	size	dwg no	sheet
				appd	JOSEPH HSIA 08/04/06	1:1	A	10071628-001	3 of 4
sheet index	revision sheet								

Pro/E

PDM: Rev: A

STAT: Released

Printed: Dec 20, 2010

PRODUCT NUMBER

10071628-001...
NOTE ③

NOTES:

1. DIMENSIONS AND TOLERANCES ARE IN ACCORDANCE WITH ASME Y14.5M, 1994 UNLESS OTHERWISE SPECIFIED.

CONNECTOR NOTES:

- ② HOUSING MATERIAL: UL 94 V-0 GLASS FILLED
HIGH-TEMP THERMOPLASTIC
POWER CONTACT MATERIAL: COPPER ALLOY
SIGNAL PIN MATERIAL: COPPER ALLOY
- 3. PLATING SPEC.
10071628-001,10071628-001LF PLATING SPEC. WAS SHOWN IN THE PRINT OF 10064183.
- ④ MANUFACTURER'S NAME, P/N, AND DATE CODE TO APPEAR ON THIS SURFACE.
- 5. PRODUCT SPECIFICATION GS-12-149.
APPLICATION SPECIFICATION BUS-20-067.
- 6. PACKAGED IN TRAYS.

PCB NOTES:

- 7. ALL HOLE DIAMETERS ARE FINISHED HOLE SIZE.
- ⑧ MOUNTING HOLES, WHERE APPLICABLE, ARE UNPLATED.
- ⑨ $\varnothing .0453 \pm .0010$ [1.151 \pm 0.025] DRILLED HOLES PLATED WITH .0003 [0.008] MIN SnPb OVER .001 [0.03] TO .003 [0.08] Cu PLATING TO ACHIEVE $\varnothing .040 \pm .003$ [1.02 \pm .07] HOLE.
- ⑩ "DIM XXX" TO BE DETERMINED BY THE CUSTOMER.

mat'l code		SEE NOTE 2		tolerances unless otherwise specified		CUSTOMER		FCJ	
ltr	ecn no.	dr	date	linear	.XX±.01/0.X±0.3	COPY		www.fciconnect.com	
A				projection	.XXX±.005/0.XX±0.13			title 2P + 24S + 2P VERTICAL PF REC. WITH EAR	
				angles	.XXX±.0020/0.XXX±0.051			product family PwrBlade code 213	
				dr	STEVEN WANG 08/04/06	MM		size dwg no 10071628-001	
				enrg	STEVEN WANG 08/04/06	scale 1:1		sheet 4 of 4	
				chr	BEER FU 08/04/06				
				appd	JOSEPH HSIA 08/04/06				
sheet index	revision sheet								

Tous droits strictement réservés. Reproduction ou communication a des tiers interdite sous quelque forme que ce soit sans autorisation écrite du propriétaire. Propriete de c FCI. Droits de reproduction FCI.



All rights strictly reserved. Reproduction or issue to third parties in any form whatever is not permitted without written authority from the proprietor. Property of FCI. Copyright FCI.