

ASSEMBLY NOTES:

1. SLIDE COMPONENTS ONTO CABLE AS SHOWN
REF. ITEMS 1, 2 & 4 ARE PRE-ASSEMBLED
2. CABLE PREP: SEE SHEET 2
3. PULL TERMINATED RJ45 PLUG (#7) INTO PLUG HOLDER (#4)
WITH LOCKING TAB ALIGNED WITH SLOT ON PLUG HOLDER
DEPRESS LOCKING TAB DOWN BEFORE SEATING PLUG
INTO FINAL POSITION
4. INSTALL RETAINER WEDGE (#5) INTO SLOT LOCATED ON
UNDERSIDE OF PLUG HOLDER (#4), SEE DETAIL B
5. ROTATE SEAL NUT UNTIL CABLE SEAL IS TIGHT ON OUTER JACKET OF CABLE
6. SLIDE COUPLING RING (#3) INTO POSITION SHOWN ON ASSEMBLY VIEW

MATERIAL & FINISH NOTES:

1. MATERIAL: SEE BOM TABLE
2. FINISH: SEE BOM TABLE
3. PACKAGING: PARTS ARE PACKED IN A CLEAR POLY BAG
WITH LABEL AND ASSEMBLY INSTRUCTIONS

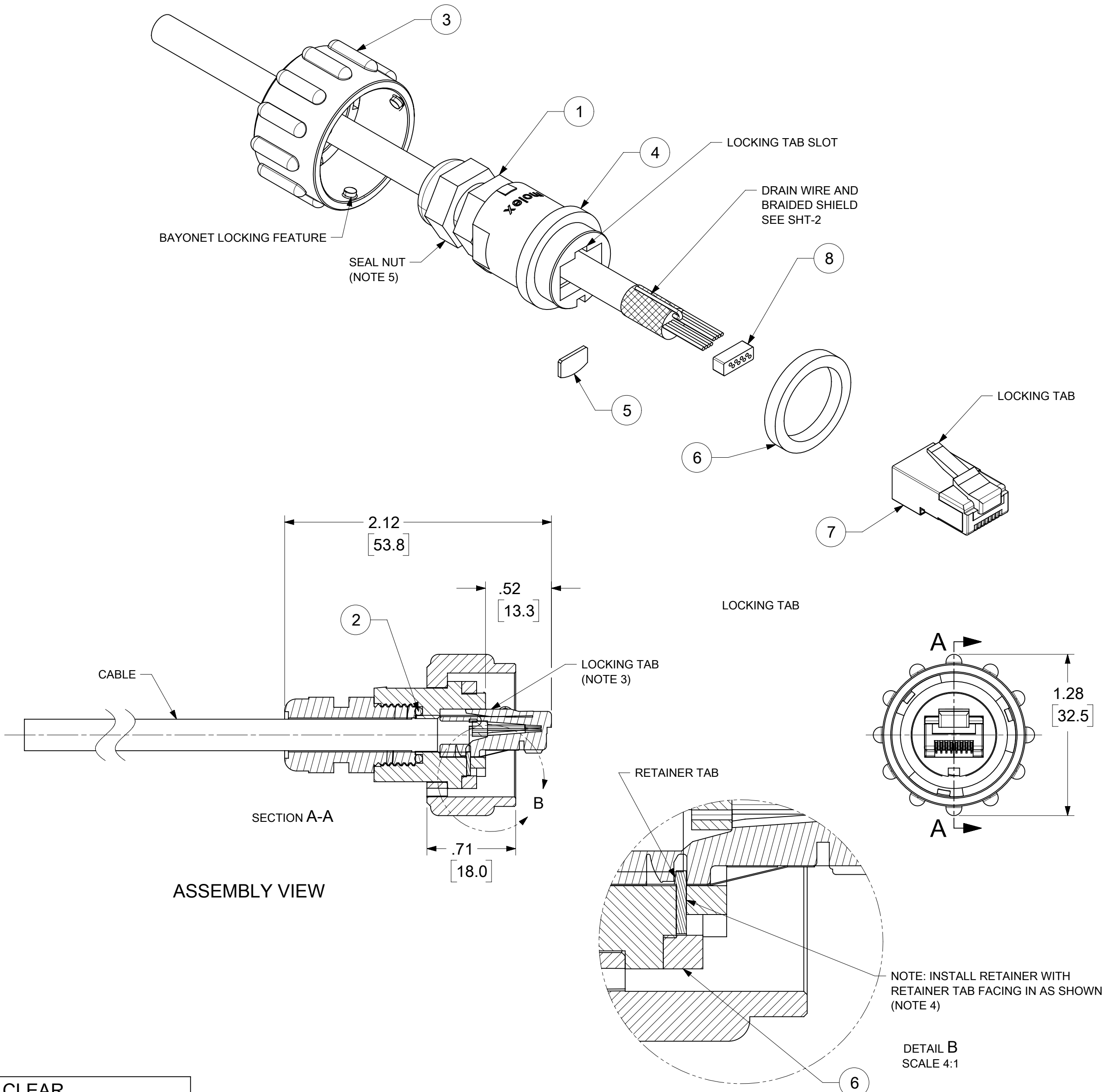
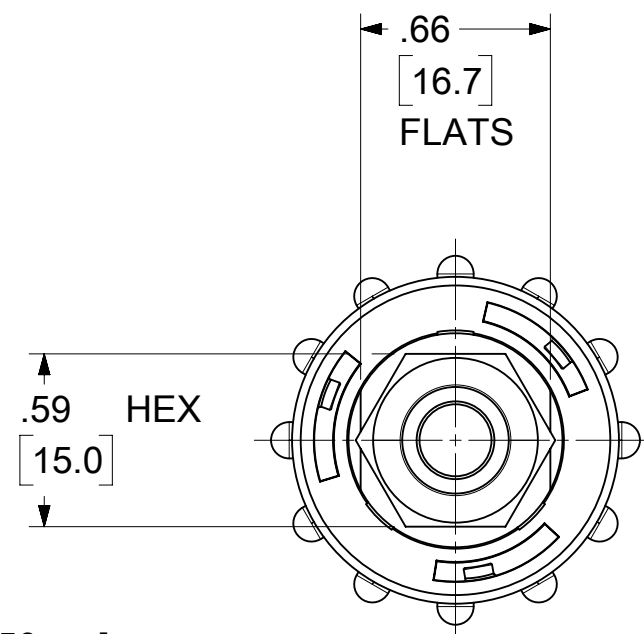
ENGINEERING SPECS:

1. WIRE RANGE:
OD: .217 IN [5.51mm] TO .256 IN [6.50mm]
CONDUCTOR TYPE: SOLID OR STRANDED
CONDUCTOR RANGE: 22 TO 28 AWG
CONDUCTOR OD RANGE: .037 IN [0.94mm] TO .042 IN [1.07mm]

2. ELECTRICAL SPECS (RJ45)

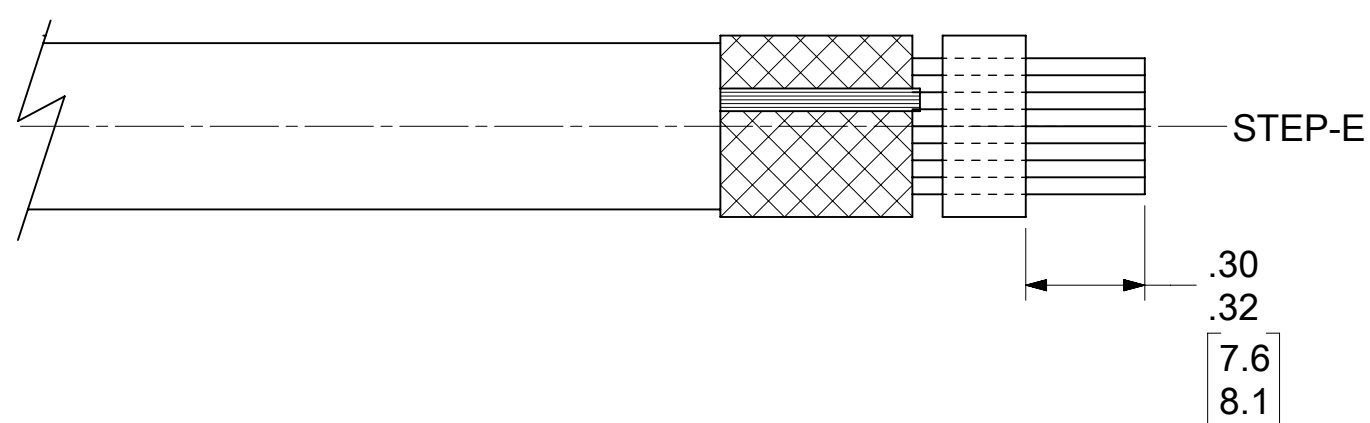
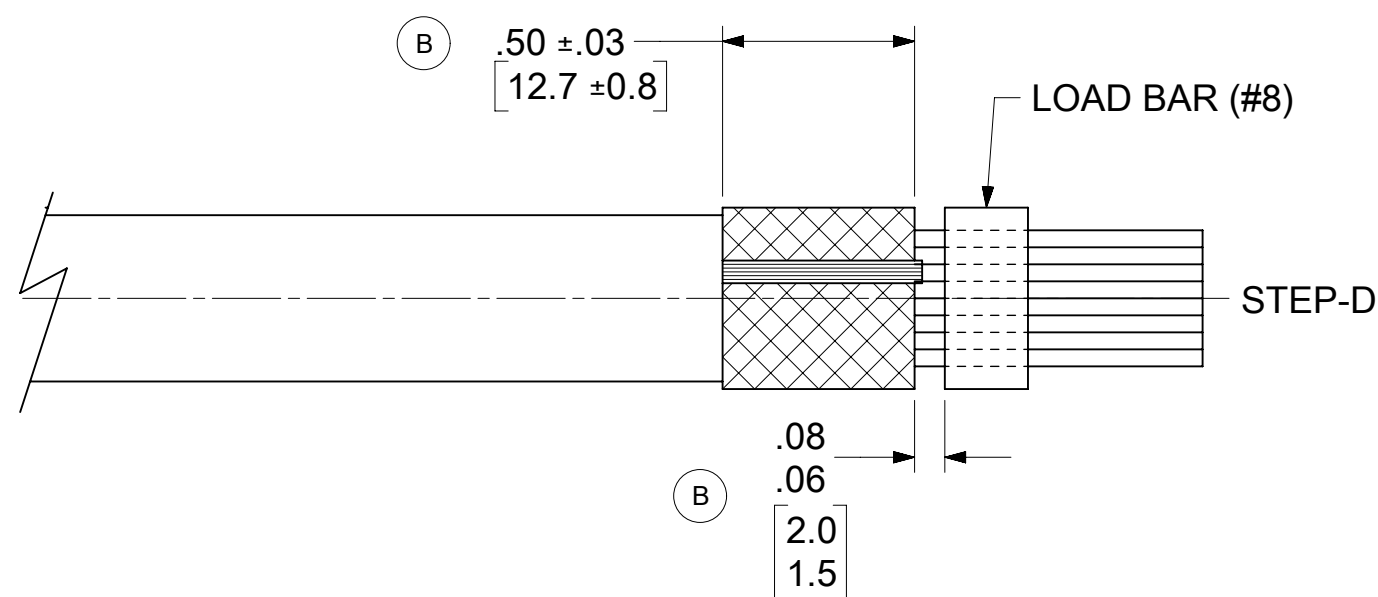
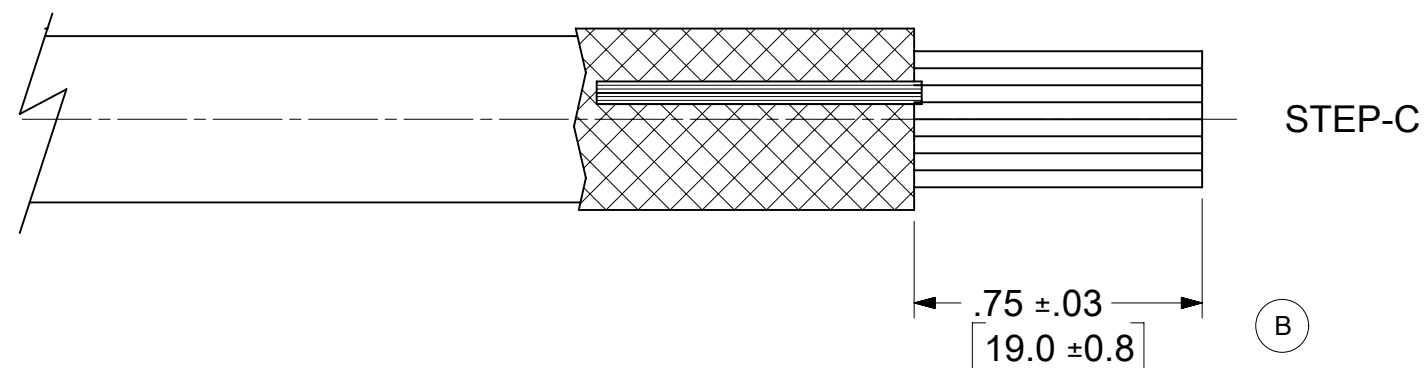
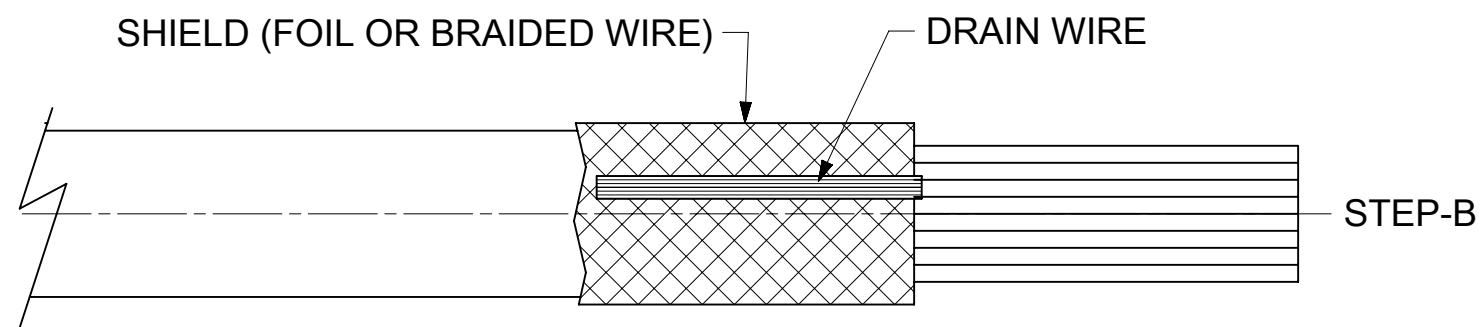
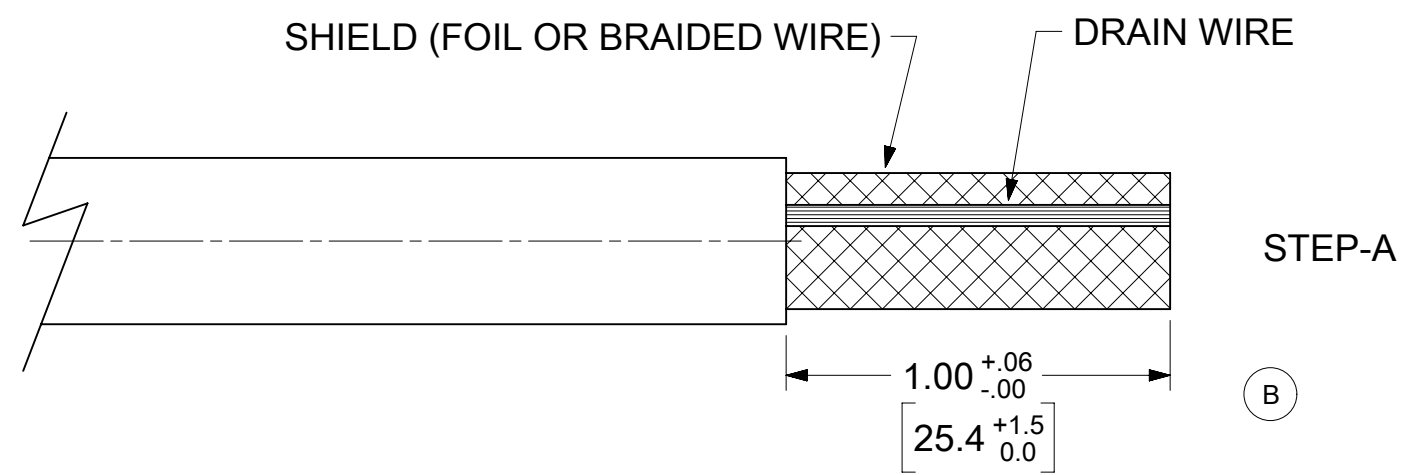
- VOLTAGE: 30VAC/42VDC
- CURRENT: 1.5 AMPS
- OPERATING TEMP: -40°C TO +85°C [-40°F TO +185°F]

3. DIMS SHOAWN ARE FOR REFERENCE ONLY UNLESS
NOTED OR TOLERANCED OTHERWISE



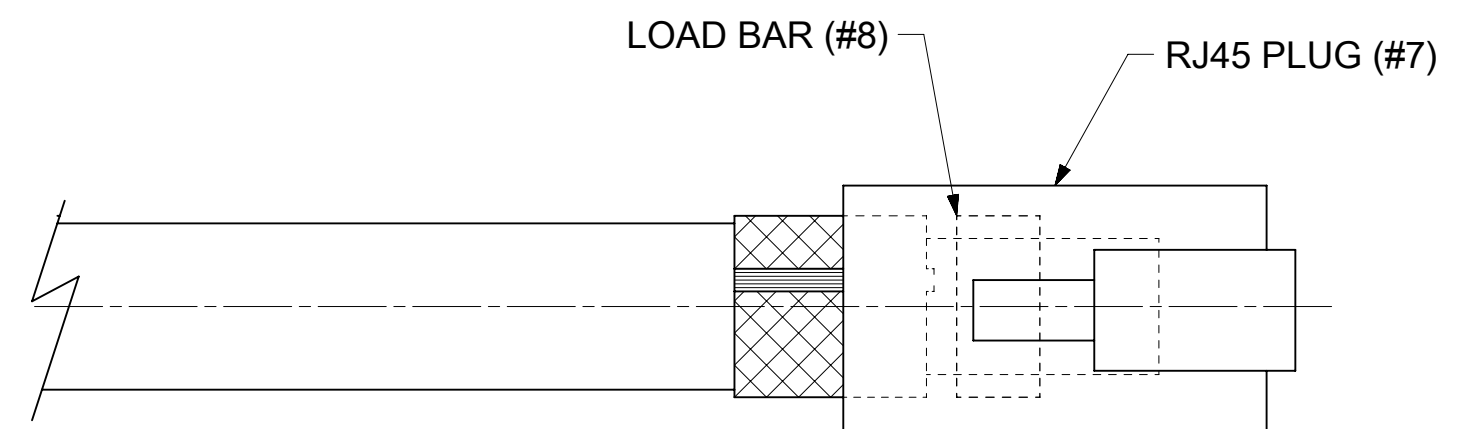
ITEM	DESCRIPTION	MATERIAL	FINISH
8	LOAD BAR	POLYCARBONATE	CLEAR
7	RJ-45 PLUG (SHIELDED)	POLYCARBONATE/PHOS-BRZ	CLEAR/GOLD PLATE
6	GASKET SEAL (MATING)	NITRILE	BLACK
5	RETAINER WEDGE	PBT	BLACK
4	PLUG HOLDER	PBT	BLACK
3	COUPLING RING (BAYONET LOCK)	PBT	BLACK
2	O-RING	NITRILE	BLACK
1	CABLE SEAL ASSEMBLY	NYLON SHELL/TPE GLAND	BLACK

FUNCTIONAL SYMBOLS	THIS DRAWING CONTAINS INFORMATION THAT IS PROPRIETARY TO MOLEX ELECTRONIC TECHNOLOGIES, LLC AND SHOULD NOT BE USED WITHOUT WRITTEN PERMISSION		CURRENT REV DESC: REDRAWN TO NX, BOM UPDATED FOR PACKAGING AND LABELS. UPDATE NOTES, ADD NOTE 3 TO ELECTRICAL SPECS. ADD TOLERANCES TO STEPS A, C & D (SHT-2)		molex		
	FA = 0	SCALE: INCH/MM 1.5:1					
DIVISIONAL SYMBOLS	GENERAL TOLERANCES (UNLESS SPECIFIED)		EC NO: 692535		RJ-45 PLUG ASSEMBLY FIELD ATTACHABLE		
	FC = 0	4 PLACES ±	MM	INCH			
DIVISIONAL SYMBOLS	FP = 0	3 PLACES ±	DRWN: RSTONE		2022/01/14		
		2 PLACES ±	CHK'D: CCHRASKA		2022/01/20		
		1 PLACE ±	APPR: BWOODMAN		2022/01/24		
		0 PLACES ±	INITIAL REVISION:				
	ANGULAR TOL ± °	DRWN: RSTONE		2013/03/19		DOCUMENT NUMBER	
	DRAFT WHERE APPLICABLE MUST REMAIN WITHIN DIMENSIONS	APPR: JFMURPHY		2013/06/24		SD-84700-012	
		THIRD ANGLE PROJECTION		DRAWING SERIES		MATERIAL NUMBER	
		C-SIZE		84700		CUSTOMER	
						GENERAL MARKET	
						SHEET NUMBER	
						1 OF 2	



- CABLE PREP.
- A. STRIP OUTER INSULATION TO DIMENSION SHOWN
 - B. FOLD DRAIN WIRE AND OR BRAIDED SHIELD (SEE REF. NOTE) BACK OVER OUTER JACKET
 - C. TRIM WIRES (STRAIGHT) TO DIMENSION SHOWN
 - D. TRIM DRAIN WIRE AND OR SHIELD TO DIMENSION SHOWN. SLIDE LOAD BAR ON TO WIRES TO DIMENSION SHOWN
 - E. TRIM WIRES AHEAD OF LOAD BAR TO DIMENSION SHOWN
 - F. ALIGN RJ45 PLUG(#7) AND INSERT PREPARED CABLE INTO BACK OF RJ45 PLUG UNTIL WIRES ARE SEATED
 - G. CRIMP WIRES TO PLUG USING RECOMMENDED HAND TOOL SENTINEL CONNECTOR SYSTEMS P/N: 900000/900208 OR 900005/900216-1

REF. NOTE: CABLE PREP STEPS MAY VARY DEPENDING ON TYPE OF CABLE SHIELDING



FUNCTIONAL SYMBOLS										THIS DRAWING CONTAINS INFORMATION THAT IS PROPRIETARY TO MOLEX ELECTRONIC TECHNOLOGIES, LLC AND SHOULD NOT BE USED WITHOUT WRITTEN PERMISSION									
DIMENSION UNITS		SCALE		CURRENT REV DESC: REDRAWN TO NX, BOM UPDATED FOR PACKAGING AND LABELS. UPDATE NOTES, ADD NOTE 3 TO ELECTRICAL SPECS. ADD TOLERANCES TO STEPS A, C & D (SHT-2)															
INCH/MM		1:1		molex RJ-45 PLUG ASSEMBLY FIELD ATTACHABLE PRODUCT CUSTOMER DRAWING															
GENERAL TOLERANCES (UNLESS SPECIFIED)																			
ANGULAR TOL ± °																			
4 PLACES ±																			
DIVISIONAL SYMBOLS		3 PLACES ±		EC NO: 692535		2022/01/14		DRWN: RSTONE CHK'D: CCHRASKA APPR: BWOODMAN											
2 PLACES ±		2022/01/20																	
1 PLACE ±		2022/01/24		INITIAL REVISION:				DOCUMENT NUMBER				DOC TYPE		DOC PART		REVISION			
0 PLACES ±		2013/03/19		DRWN: RSTONE				SD-84700-012				PSD		001		B			
DRAFT WHERE APPLICABLE MUST REMAIN WITHIN DIMENSIONS		THIRD ANGLE PROJECTION		DRAWING		SERIES		MATERIAL NUMBER		CUSTOMER		SHEET NUMBER							
		C-SIZE		84700		847000002		GENERAL MARKET		2 OF 2									