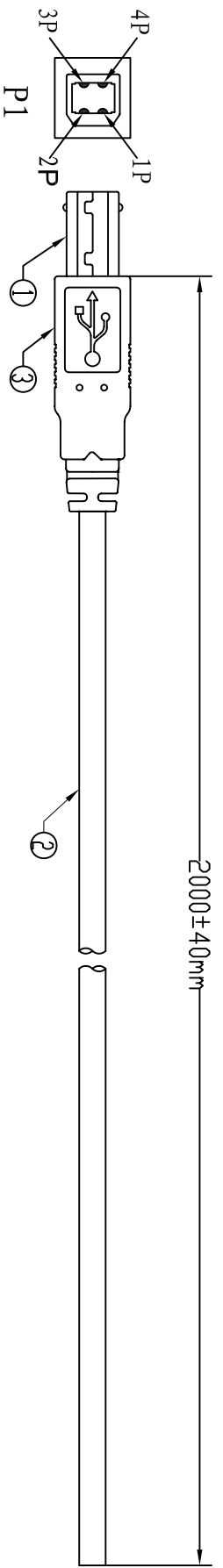


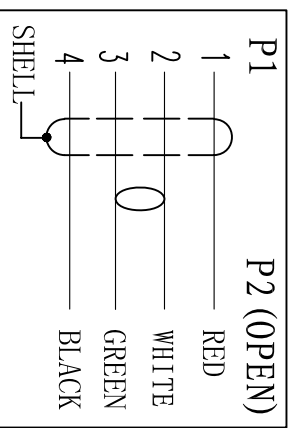
UNIT:mm



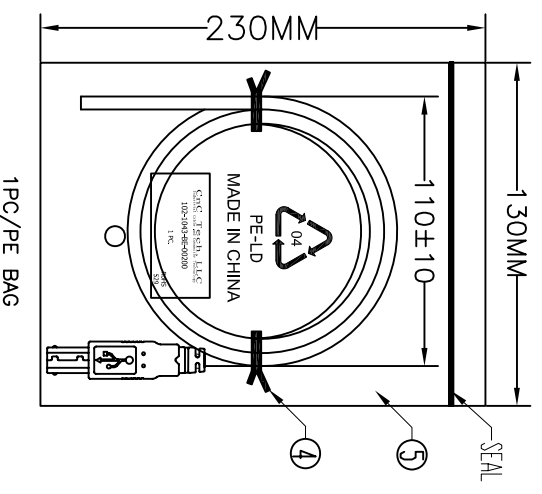
CABLE BLACK PRINT

HI-SPEED USB Revision 2.0 SHIELDED 28AWG/1P+28AWG/2C
E189529 **RU** AWM STYLE 2725 80°C 30V VW-1 VEGA TECH

PIN ASSIGNMENT:



Electrical test:
 1. 100% short, open, miswire test
 2. Conduct resistance: 2 Ohm(max)
 3. Insulation resistance: 5Mohm(min)
 4. dielectric test: DC 300V



⑥	PE BAG	1/10	CLEAR SIZE:280*330*0.05mm	PRINT BLACK	MADE IN CHINA	"10PCS"印生产周期,有透气孔.
⑤	PE BAG	1	CLEAR SIZE:130*230*0.05mm	PRINT BLACK	MADE IN CHINA	"1PC"印生产周期,有透气孔.
④	TIE	2	WHITE	L=100mm		
③	OUT JACKET	12g	BELGE (TV-29#)	PVC-40P	(MOULD NO.:WM-65)	
②	CABLE	1	BELGE (TV-29#)	USB2.0	UL2725 28#/1P+28#/2C+AB	OD:4.7mm L=2000±20
①	CONN	2set	USB2.0 B MALE SHELL:NICKEL	PIN G/F 3PCS	TYPE INSULATOR COLOR:WHITE	
NO.	NAME	Q'TY	SPECIFICATION			

CNC Tech, LLC
 Industrial Cable and Connector Technology

DRAWN	LI CHENG	DRAWING NO	
CHECKED		CUSTOMER	
APPROVAL		ITEM NO.	102-1043-BE-00200
DECIDED		DATE	2012-11-23
VERSIONS/EDITED	A/0	PROJECTION	

4

3

2

1

4

3

2

1

D

D

C

C

B

B

A

A