

Aluminum Electrolytic Capacitors Power Long Life Printed Wiring


**RoHS
COMPLIANT**

FEATURES

- Polarized aluminum electrolytic capacitors, non-solid electrolyte
- Large types, minimized dimensions, cylindrical aluminum case, insulated with a blue sleeve
- Provided with keyed polarity
- Very long useful life: 5000 h at 105 °C
- High ripple current capability
- Temperature range up to 105 °C
- High resistance to shock and vibration
- Material categorization: for definitions of compliance please see www.vishay.com/doc?99912

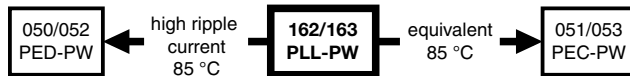


Fig. 1

APPLICATIONS

- Computer, telecommunication and industrial systems
- Smoothing and filtering
- Standard and switched mode power supplies
- Energy storage in pulse systems

MARKING

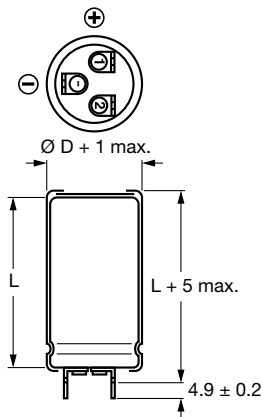
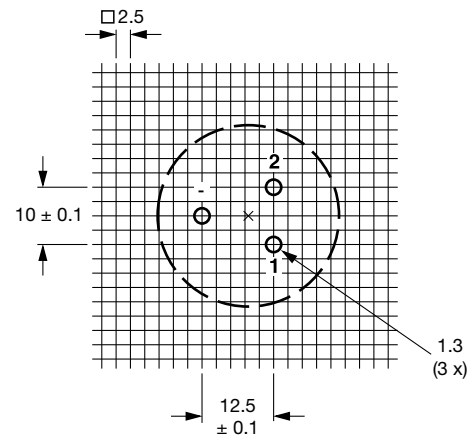
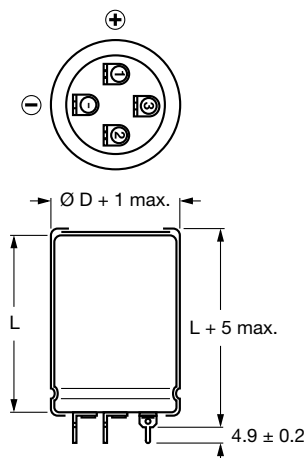
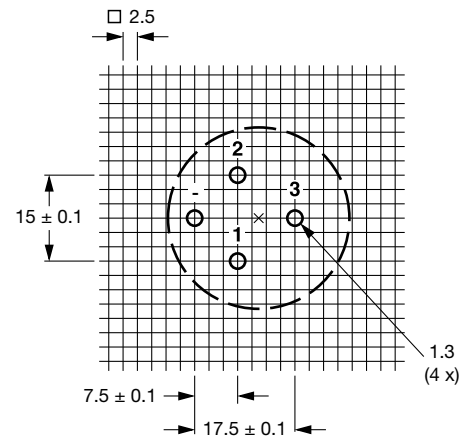
The capacitors are marked (where possible) with the following information:

- Rated capacitance (in μF)
- Tolerance on rated capacitance, code letter in accordance with IEC 60062 (M for $\pm 20\%$)
- Rated voltage (in V)
- Date code (YYMM)
- Name of manufacturer
- Code for factory of origin
- Polarity of the terminals and “-” sign to indicate the negative terminal, visible from the top and / or side of the capacitor
- Code number
- Climatic category in accordance with IEC 60068

QUICK REFERENCE DATA		
DESCRIPTION	VALUE	
	162	163
Nominal case size (\varnothing D x L in mm)	25 x 30 to 40 x 100	
Rated capacitance range (E6 series), C_R	470 μF to 150 000 μF	68 μF to 3300 μF
Tolerance on C_R	$\pm 20\%$	
Rated voltage range, U_R	10 V to 100 V	200 V to 400 V
Category temperature range	-40 °C to +105 °C	
Endurance test at 105 °C	2000 h	
Useful life at 105 °C	5000 h	
Useful life at 40 °C, 1.9 x I_R applied	150 000 h	
Shelf life at 0 V, 105 °C	500 h	
Based on sectional specification	IEC 60384-4 / EN130300	
Climatic category IEC 60068	40 / 105 / 56	

SELECTION CHART FOR C_R , U_R , AND RELEVANT NOMINAL CASE SIZES FOR 162 SERIES (\varnothing D x L in mm)						
C_R (μF)	U_R (V)					
	10	16	25	40	63	100
470	-	-	-	-	-	25 x 30
680	-	-	-	-	-	25 x 40
1000	-	-	-	-	25 x 30	30 x 40
1500	-	-	-	-	25 x 40	35 x 40
2200	-	-	-	25 x 30	30 x 40	35 x 50
	-	-	-	-	-	40 x 40
3300	-	-	-	25 x 40	35 x 40	40 x 50
	-	-	25 x 30	30 x 40	35 x 50	40 x 70
4700	-	-	-	-	40 x 40	-
	-	25 x 30	25 x 40	35 x 40	40 x 50	40 x 100
10 000	25 x 30	25 x 40	30 x 40	35 x 50	40 x 70	-
	-	-	-	40 x 40	-	-
15 000	25 x 40	30 x 40	35 x 40	40 x 50	40 x 100	-
	30 x 40	35 x 40	35 x 50	40 x 70	-	-
22 000	-	-	40 x 40	-	-	-
	35 x 40	35 x 50	40 x 50	40 x 100	-	-
33 000	-	40 x 40	-	-	-	-
	35 x 50	40 x 50	40 x 70	-	-	-
47 000	40 x 40	-	-	-	-	-
	40 x 50	40 x 70	40 x 100	-	-	-
100 000	40 x 70	40 x 100	-	-	-	-
150 000	40 x 100	-	-	-	-	-

SELECTION CHART FOR C_R, U_R, AND RELEVANT NOMINAL CASE SIZES FOR 163 SERIES (∅ D x L in mm)				
C _R (μF)	U _R (V)			
	200	250	385	400
68	-	-	25 x 30	25 x 30
100	-	25 x 30	25 x 40	25 x 40
150	25 x 30	25 x 40	30 x 40	30 x 40
220	25 x 40	30 x 40	35 x 40	35 x 40
330	30 x 40	35 x 40	35 x 50	35 x 50
	-	-	40 x 40	40 x 40
470	35 x 40	35 x 50	40 x 50	40 x 50
	-	40 x 40	-	-
680	35 x 50	40 x 50	40 x 70	40 x 70
	40 x 50	-	-	-
1000	40 x 50	40 x 70	40 x 100	40 x 100
1500	40 x 70	40 x 100	-	-
2200	40 x 100	-	-	-

DIMENSIONS in millimeters AND AVAILABLE FORMS

 Fig. 2 - Printed wiring pin version
(case Ø D = 25 mm)

 Fig. 3 - Mounting hole diagram viewed from component side
(case Ø D = 25 mm)

 Fig. 4 - Printed wiring pin version
(case Ø D = 30 mm)

 Fig. 5 - Mounting hole diagram viewed from component side
(case Ø D = 30 mm)

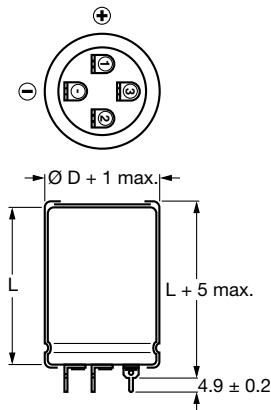


Fig. 6 - Printed wiring pin version
(case Ø D = 35 mm)

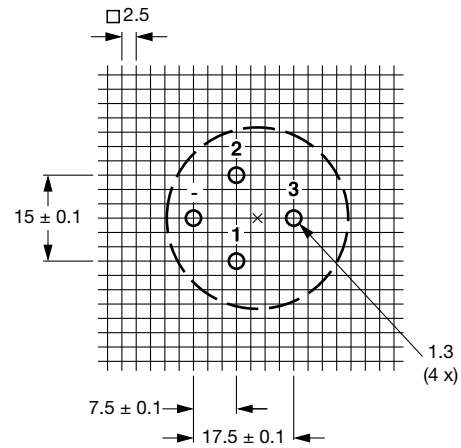


Fig. 7 - Mounting hole diagram viewed from component side
(case Ø D = 35 mm)

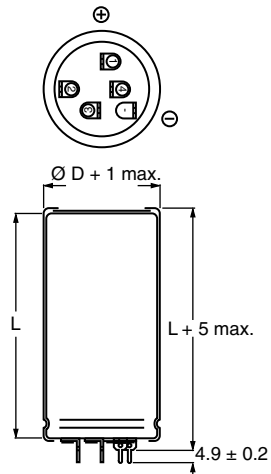


Fig. 8 - Printed wiring pin version
(case Ø D = 40 mm)

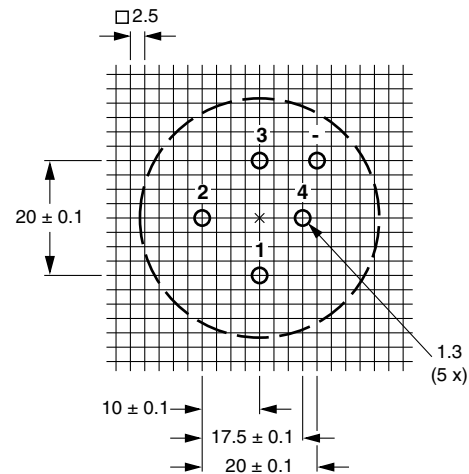


Fig. 9 - Mounting hole diagram viewed from component side
(case Ø D = 40 mm)

Table 1

DIMENSIONS in millimeters, MASS AND PACKAGING QUANTITIES PW VERSIONS					
NOMINAL CASE SIZE Ø D x L	Ø D _{max.}	L _{max.}	MASS (g)	PACKAGING QUANTITIES (units per box)	CARDBOARD BOX DIMENSIONS L x W x H
25 x 30	26	35	≈ 24	100	290 x 280 x 50
25 x 40	26	45	≈ 28	100	290 x 280 x 60
30 x 40	31	45	≈ 38	100	340 x 330 x 60
35 x 40	36	45	≈ 51	50	390 x 198 x 60
35 x 50	36	55	≈ 66	50	390 x 198 x 70
40 x 40	41	45	≈ 78	50	440 x 223 x 60
40 x 50	41	55	≈ 82	50	440 x 223 x 70
40 x 70	41	75	≈ 110	25	230 x 230 x 90
40 x 100	41	105	≈ 176	25	230 x 230 x 120

MOUNTING

When a number of capacitors are connected in a bank, they must not be closer together than 15 mm, when no derating of ripple current and / or temperature is applied.

Pin number 1 is the positive terminal. Pin “-” is the negative terminal.

Pin numbers 2, 3 and 4 (if present) should be free from the electrical circuit or connected to the minus terminal.



ELECTRICAL DATA	
SYMBOL	DESCRIPTION
C _R	Rated capacitance at 100 Hz
I _R	Rated RMS ripple current at 100 Hz and 105 °C
I _{L1}	Max. leakage current after 1 min at U _R
I _{L5}	Max. leakage current after 5 min at U _R
ESR	Max. equivalent series resistance at 100 Hz
Z	Max. impedance at 10 kHz

ORDERING EXAMPLE

Electrolytic capacitor 162 series
 10 000 µF / 25 V; ± 20 %
 Nominal case size: Ø 30 mm x 40 mm
 Ordering code: MAL2 16256103E3
 Former 12NC: 2222 16256103

Note

- Unless otherwise specified, all electrical values in Tables 2 and 3 apply at T_{amb} = 20 °C, P = 86 kPa to 106 kPa, RH = 45 % to 75 %

Table 2

ELECTRICAL DATA AND ORDERING INFORMATION FOR 162 SERIES								
U _R (V)	C _R 100 Hz (µF)	NOMINAL CASE SIZE Ø D x L (mm)	I _R 100 Hz 105 °C (A)	I _{L1} 1 min (mA)	I _{L5} 5 min (mA)	ESR 100 Hz (mΩ)	Z 10 kHz (mΩ)	ORDERING CODE MAL2162.....
10	10 000	25 x 30	3.17	0.60	0.20	48	37	54103E3
	15 000	25 x 40	4.21	0.90	0.30	34	27	54153E3
	22 000	30 x 40	5.05	1.32	0.44	29	23	54223E3
	33 000	35 x 40	5.63	1.98	0.66	27	22	54333E3
	47 000	35 x 50	6.19	2.82	0.94	26	21	54473E3
	47 000	40 x 40	6.19	2.82	0.94	26	21	44473E3
	68 000	40 x 50	7.64	4.08	1.36	21	18	54683E3
	100 000	40 x 70	10.0	6.00	2.00	16	15	54104E3
150 000	40 x 100	12.9	9.00	3.00	13	12	54154E3	
16	6800	25 x 30	3.11	0.65	0.22	50	37	55682E3
	10 000	25 x 40	4.09	0.96	0.32	36	27	55103E3
	15 000	30 x 40	4.97	1.44	0.48	30	23	55153E3
	22 000	35 x 40	5.53	2.12	0.71	29	22	55223E3
	33 000	35 x 50	6.08	3.17	1.06	28	21	55333E3
	33 000	40 x 40	6.08	3.17	1.06	28	21	45333E3
	47 000	40 x 50	7.46	4.52	1.51	22	18	55473E3
	68 000	40 x 70	9.70	6.53	2.18	17	15	55683E3
100 000	40 x 100	12.90	9.60	3.20	13	12	55104E3	
25	4700	25 x 30	2.94	0.71	0.24	56	37	56472E3
	6800	25 x 40	3.93	1.02	0.34	39	27	56682E3
	10 000	30 x 40	4.81	1.50	0.50	32	23	56103E3
	15 000	35 x 40	5.43	2.25	0.75	30	22	56153E3
	22 000	35 x 50	5.98	3.30	1.10	29	21	56223E3
	22 000	40 x 40	5.98	3.30	1.10	29	21	46223E3
	33 000	40 x 50	7.30	4.95	1.65	23	18	56333E3
	47 000	40 x 70	9.43	7.05	2.35	18	15	56473E3
68 000	40 x 100	12.44	10.20	3.40	14	12	56683E3	
40	2200	25 x 30	2.36	0.53	0.18	87	54	57222E3
	3300	25 x 40	3.17	0.79	0.27	60	38	57332E3
	4700	30 x 40	3.93	1.13	0.38	48	33	57472E3
	6800	35 x 40	4.59	1.63	0.55	42	31	57682E3
	10 000	35 x 50	5.03	2.40	0.80	41	29	57103E3
	10 000	40 x 40	5.03	2.40	0.80	41	29	47103E3
	15 000	40 x 50	6.09	3.60	1.20	33	24	57153E3
	22 000	40 x 70	8.34	5.28	1.76	23	18	57223E3
33 000	40 x 100	10.97	7.92	2.64	18	15	57333E3	
63	1000	25 x 30	1.55	0.38	0.13	202	155	58102E3
	1500	25 x 40	2.10	0.57	0.19	137	109	58152E3
	2200	30 x 40	2.72	0.83	0.28	100	79	58222E3
	3300	35 x 40	3.44	1.25	0.42	75	61	58332E3
	4700	35 x 50	4.09	1.78	0.60	62	53	58472E3
	4700	40 x 40	4.09	1.78	0.60	62	53	48472E3
	6800	40 x 50	5.10	2.57	0.86	47	40	58682E3
	10 000	40 x 70	6.86	3.78	1.26	34	29	58103E3
15 000	40 x 100	9.31	5.67	1.89	25	21	58153E3	



ELECTRICAL DATA AND ORDERING INFORMATION FOR 162 SERIES								
U_R (V)	C_R 100 Hz (μ F)	NOMINAL CASE SIZE \varnothing D x L (mm)	I_R 100 Hz 105 °C (A)	I_{L1} 1 min (mA)	I_{L5} 5 min (mA)	ESR 100 Hz (m Ω)	Z 10 kHz (m Ω)	ORDERING CODE MAL2162.....
100	470	25 x 30	1.42	0.28	0.10	240	155	59471E3
	680	25 x 40	1.90	0.41	0.14	167	109	59681E3
	1000	30 x 40	2.48	0.60	0.20	120	79	59102E3
	1500	35 x 40	3.17	0.90	0.30	88	61	59152E3
	2200	35 x 50	3.79	1.32	0.44	72	53	59222E3
	2200	40 x 40	3.79	1.32	0.44	72	53	49222E3
	3300	40 x 50	4.81	1.98	0.66	53	40	59332E3
	4700	40 x 70	6.49	2.82	0.94	38	29	59472E3
	6800	40 x 100	8.80	4.08	1.36	28	21	59682E3

Table 3

ELECTRICAL DATA AND ORDERING INFORMATION FOR 163 SERIES								
U_R (V)	C_R 100 Hz (μ F)	NOMINAL CASE SIZE \varnothing D x L (mm)	I_R 100 Hz 105 °C (A)	I_{L1} 1 min (mA)	I_{L5} 5 min (mA)	ESR 100 Hz (m Ω)	Z 10 kHz (m Ω)	ORDERING CODE MAL2163.....
200	150	25 x 30	0.72	0.18	0.06	950	710	52151E3
	220	25 x 40	0.96	0.26	0.09	650	485	52221E3
	330	30 x 40	1.29	0.40	0.14	442	330	52331E3
	470	35 x 40	1.66	0.57	0.19	321	240	52471E3
	680	35 x 50	2.09	0.82	0.28	237	185	52681E3
	680	40 x 40	2.09	0.82	0.28	237	185	42681E3
	1000	40 x 50	2.71	1.20	0.40	167	133	52102E3
	1500	40 x 70	3.75	1.80	0.60	114	90	52152E3
	2200	40 x 100	5.24	2.64	0.88	79	62	52222E3
250	100	25 x 30	0.67	0.15	0.05	1060	710	53101E3
	150	25 x 40	0.92	0.22	0.08	710	485	53151E3
	220	30 x 40	1.28	0.33	0.11	492	330	53221E3
	330	35 x 40	1.65	0.49	0.17	325	240	53331E3
	470	35 x 50	2.01	0.70	0.24	256	185	53471E3
	470	40 x 40	2.01	0.70	0.24	256	185	43471E3
	680	40 x 50	2.59	1.02	0.34	182	133	53681E3
	1000	40 x 70	3.58	1.50	0.50	125	90	53102E3
	1500	40 x 100	5.05	2.25	0.75	85	62	53152E3
385	68	25 x 30	0.61	0.16	0.06	1650	1260	58689E3
	100	25 x 40	0.82	0.23	0.08	1120	855	58101E3
	150	30 x 40	1.10	0.35	0.12	755	580	58151E3
	220	35 x 40	1.44	0.51	0.17	525	405	58221E3
	330	35 x 50	1.84	0.77	0.26	360	280	58331E3
	330	40 x 40	1.84	0.77	0.26	360	280	48331E3
	470	40 x 50	2.37	1.09	0.36	260	205	58471E3
	680	40 x 70	3.24	1.58	0.53	180	140	58681E3
	1000	40 x 100	4.54	2.31	0.78	125	100	58102E3
400	68	25 x 30	0.39	0.16	0.06	3200	2660	56689E3
	100	25 x 40	0.53	0.24	0.08	2180	1810	56101E3
	150	30 x 40	0.72	0.36	0.12	1460	1210	56151E3
	220	35 x 40	0.94	0.52	0.17	1010	830	56221E3
	330	35 x 50	1.24	0.79	0.26	680	570	56331E3
	330	40 x 40	1.24	0.79	0.26	680	570	46331E3
	470	40 x 50	1.59	1.12	0.37	485	407	56471E3
	680	40 x 70	2.18	1.63	0.54	336	282	56681E3
	1000	40 x 100	3.07	2.40	0.80	230	193	56102E3



ADDITIONAL ELECTRICAL DATA		
PARAMETER	CONDITIONS	VALUE
Voltage		
Surge voltage	≤ 200 V versions	$U_s = 1.15 \times U_R$
	≥ 385 V versions	$U_s = 1.1 \times U_R$
Reverse voltage		$U_{rev} \leq 1 \text{ V}$
Current		
Leakage current	After 1 min at U_R	$I_{L1} \leq 0.006 C_R \times U_R + 4 \mu\text{A}$
	After 5 min at U_R	$I_{L5} \leq 0.002 C_R \times U_R + 4 \mu\text{A}$
Inductance		
Equivalent series inductance (ESL)	Case $\varnothing D = 25 \text{ mm}$	Max. 25 nH
	Case $\varnothing D = 30 \text{ mm}$ and 35 mm	Max. 30 nH
	Case $\varnothing D = 40 \text{ mm}$	Max. 35 nH

RIPPLE CURRENT AND USEFUL LIFE

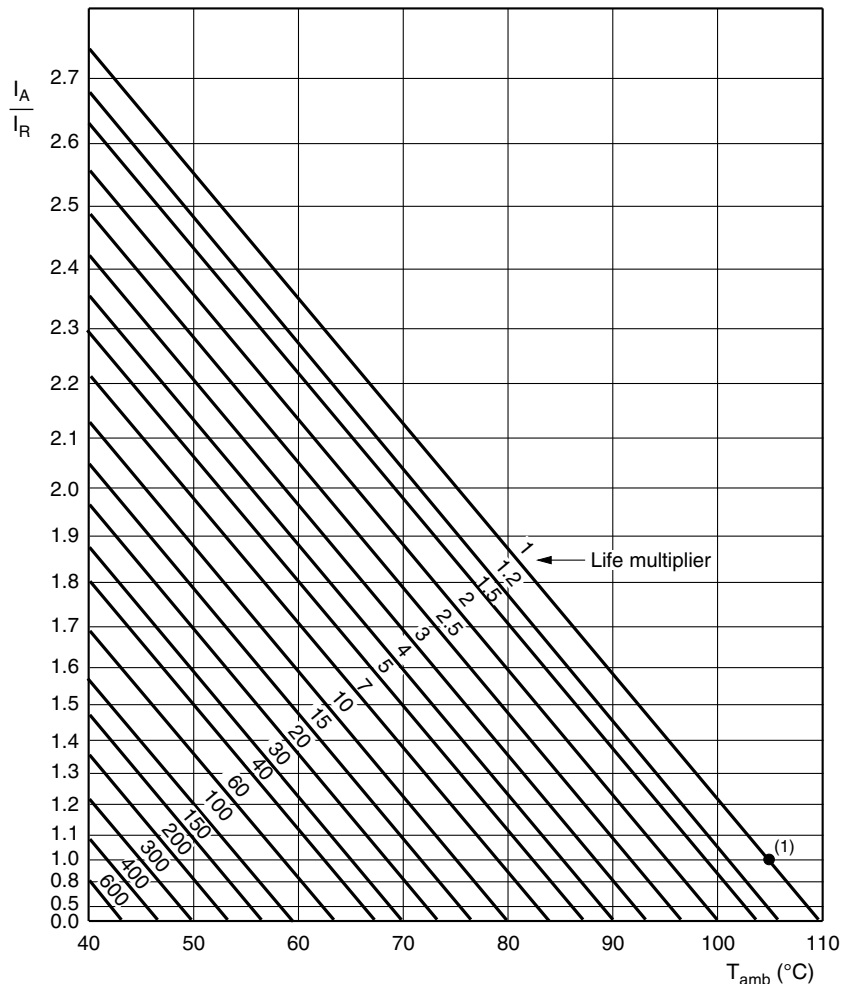
Table 4

ENDURANCE TEST DURATION AND USEFUL LIFE	
ENDURANCE AT 105 °C (h)	USEFUL LIFE AT 105 °C (h)
2000	5000

Note

- Multiplier of useful life code: MGA454

MGA454



I_A = Actual ripple current at 100 Hz
 I_R = Rated ripple current at 100 Hz and 105 °C
 (1) Useful life at 105 °C and I_R applied: 5000 h

Fig. 10 - Multiplier of useful life as a function of ambient temperature and ripple current load

Table 5

MULTIPLIER OF RIPPLE CURRENT (I_R) AS A FUNCTION OF FREQUENCY								
U_R (V)	FREQUENCY (Hz)							
	50	100	200	400	1000	2000	4000	$\geq 10\ 000$
I_R MULTIPLIER								
10	0.93	1.00	1.04	1.07	1.11	1.13	1.15	1.18
16	0.93	1.00	1.04	1.07	1.11	1.13	1.15	1.18
25	0.93	1.00	1.04	1.07	1.11	1.13	1.15	1.18
40	0.91	1.00	1.05	1.09	1.13	1.15	1.18	1.22
63	0.91	1.00	1.05	1.09	1.13	1.15	1.18	1.22
100	0.91	1.00	1.05	1.09	1.13	1.15	1.18	1.22
200	0.86	1.00	1.13	1.21	1.29	1.32	1.35	1.40
250	0.86	1.00	1.13	1.21	1.29	1.32	1.35	1.40
385	0.86	1.00	1.13	1.21	1.29	1.32	1.35	1.40
400	0.86	1.00	1.13	1.21	1.29	1.32	1.35	1.40

Table 6

TEST PROCEDURES AND REQUIREMENT			
TEST		PROCEDURE (quick reference)	REQUIREMENTS
NAME OF TEST	REFERENCE		
Endurance	IEC 60384-4 / EN130300 subclause 4.13	$T_{amb} = 105\ ^\circ\text{C}$; U_R applied; 2000 h	$U_R \leq 100\ \text{V}$; $\Delta\text{C}/\text{C}: \pm 15\ \%$ $U_R > 100\ \text{V}$; $\Delta\text{C}/\text{C}: \pm 10\ \%$ $\text{ESR} \leq 1.3 \times \text{spec. limit}$ $Z \leq 2 \times \text{spec. limit}$ $I_{L5} \leq \text{spec. limit}$
Useful life	CECC 30301 subclause 1.8.1	$T_{amb} = 105\ ^\circ\text{C}$; U_R and I_R applied; 5000 h	$U_R \leq 100\ \text{V}$; $\Delta\text{C}/\text{C}: \pm 45\ \%$ $U_R > 100\ \text{V}$; $\Delta\text{C}/\text{C}: \pm 30\ \%$ $\text{ESR} \leq 3 \times \text{spec. limit}$ $Z \leq 3 \times \text{spec. limit}$ $I_{L5} \leq \text{spec. limit}$ no short or open circuit, no visible damage total failure percentage: $U_R \leq 100\ \text{V}: \leq 1\ \%$; $U_R > 100\ \text{V}: \leq 3\ \%$
Shelf life (storage at high temperature)	IEC 60384-4 / EN130300 subclause 4.17	$T_{amb} = 105\ ^\circ\text{C}$; no voltage applied; 500 h After test: U_R to be applied for 30 min, 24 h to 48 h before measurement	$\Delta\text{C}/\text{C}: \pm 10\ \%$ $\text{ESR} \leq 1.2 \times \text{spec. limit}$ $I_{L5} \leq 2 \times \text{spec. limit}$

Statements about product lifetime are based on calculations and internal testing. They should only be interpreted as estimations. Also due to external factors, the lifetime in the field application may deviate from the calculated lifetime. In general, nothing stated herein shall be construed as a guarantee of durability.



Disclaimer

ALL PRODUCT, PRODUCT SPECIFICATIONS AND DATA ARE SUBJECT TO CHANGE WITHOUT NOTICE TO IMPROVE RELIABILITY, FUNCTION OR DESIGN OR OTHERWISE.

Vishay Intertechnology, Inc., its affiliates, agents, and employees, and all persons acting on its or their behalf (collectively, "Vishay"), disclaim any and all liability for any errors, inaccuracies or incompleteness contained in any datasheet or in any other disclosure relating to any product.

Vishay makes no warranty, representation or guarantee regarding the suitability of the products for any particular purpose or the continuing production of any product. To the maximum extent permitted by applicable law, Vishay disclaims (i) any and all liability arising out of the application or use of any product, (ii) any and all liability, including without limitation special, consequential or incidental damages, and (iii) any and all implied warranties, including warranties of fitness for particular purpose, non-infringement and merchantability.

Statements regarding the suitability of products for certain types of applications are based on Vishay's knowledge of typical requirements that are often placed on Vishay products in generic applications. Such statements are not binding statements about the suitability of products for a particular application. It is the customer's responsibility to validate that a particular product with the properties described in the product specification is suitable for use in a particular application. Parameters provided in datasheets and / or specifications may vary in different applications and performance may vary over time. All operating parameters, including typical parameters, must be validated for each customer application by the customer's technical experts. Product specifications do not expand or otherwise modify Vishay's terms and conditions of purchase, including but not limited to the warranty expressed therein.

Hyperlinks included in this datasheet may direct users to third-party websites. These links are provided as a convenience and for informational purposes only. Inclusion of these hyperlinks does not constitute an endorsement or an approval by Vishay of any of the products, services or opinions of the corporation, organization or individual associated with the third-party website. Vishay disclaims any and all liability and bears no responsibility for the accuracy, legality or content of the third-party website or for that of subsequent links.

Except as expressly indicated in writing, Vishay products are not designed for use in medical, life-saving, or life-sustaining applications or for any other application in which the failure of the Vishay product could result in personal injury or death. Customers using or selling Vishay products not expressly indicated for use in such applications do so at their own risk. Please contact authorized Vishay personnel to obtain written terms and conditions regarding products designed for such applications.

No license, express or implied, by estoppel or otherwise, to any intellectual property rights is granted by this document or by any conduct of Vishay. Product names and markings noted herein may be trademarks of their respective owners.