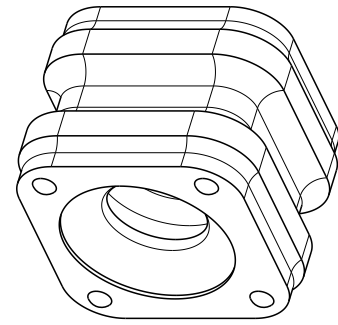
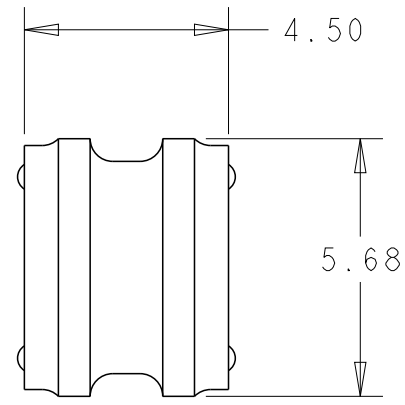
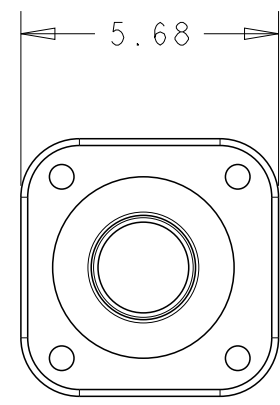
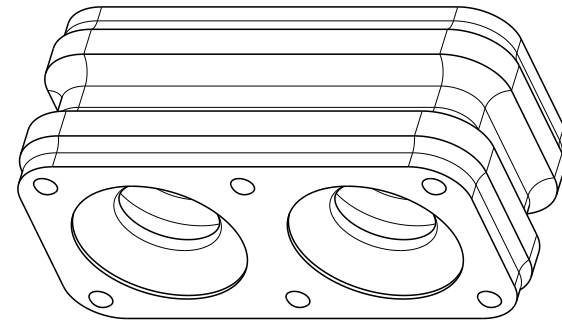
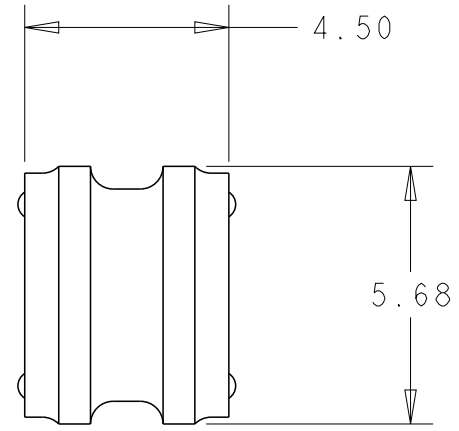
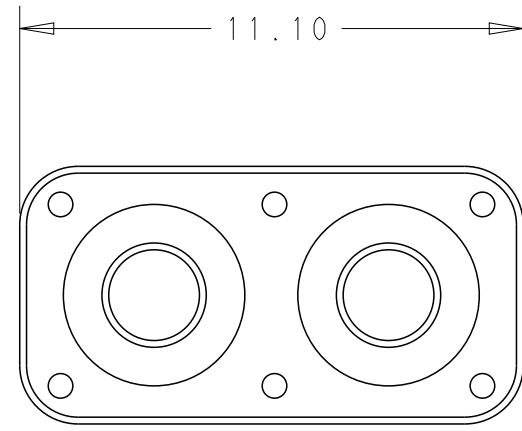


THIS DRAWING IS UNPUBLISHED. RELEASED FOR PUBLICATION 2018  
 © COPYRIGHT 2018 BY - ALL RIGHTS RESERVED.

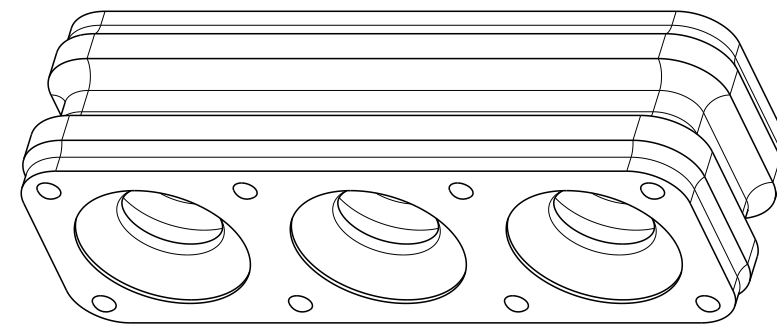
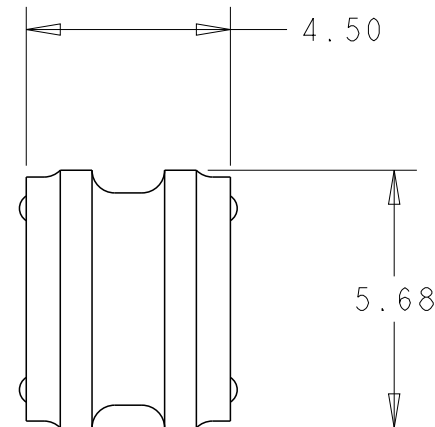
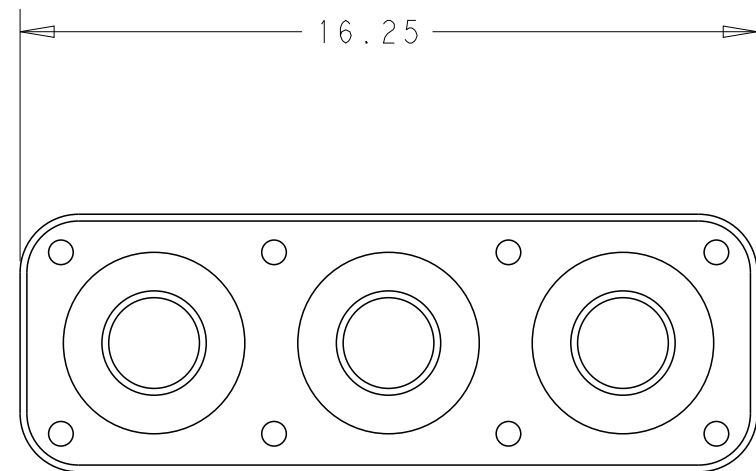
REVISIONS				
P	LTR	DESCRIPTION	DATE	APVD
A		RELEASED PER ECO-19-016370	25OCT2019	BKW DS
A1		REVISED PER ECR-20-100211	08AUG2020	JP VS
A2		REVISED PER ECR-22-126000	07JAN2022	SS VS
A3		REVISED PER ECR-22-146203	18JUL2022	AVN VS



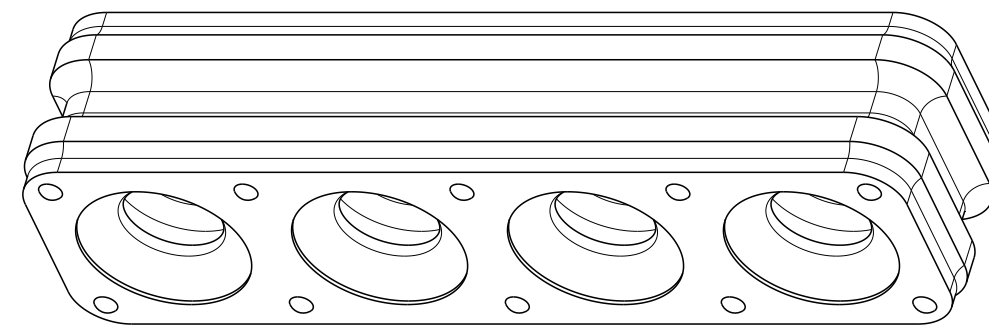
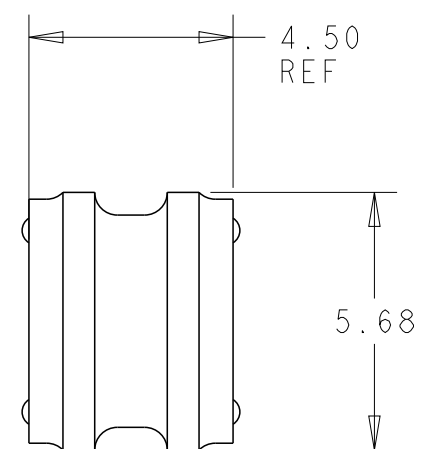
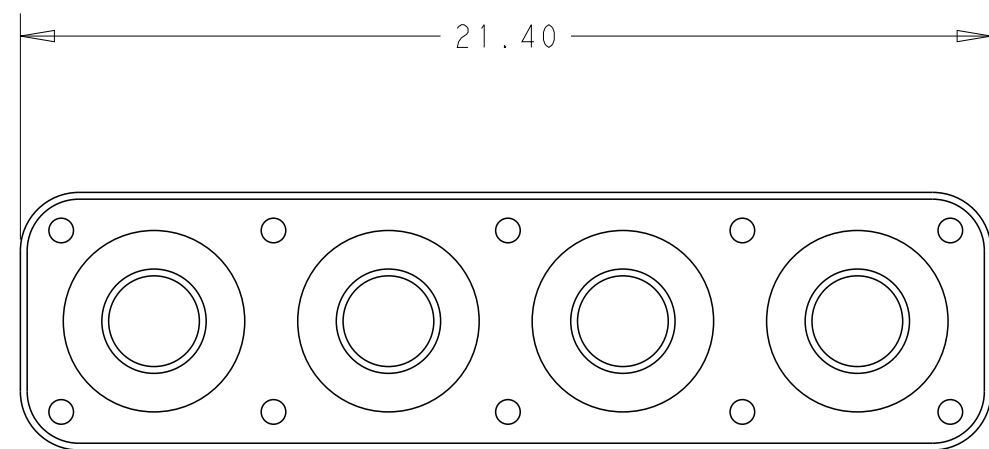
1\*1 POSITION



1\*2 POSITION



1\*3 POSITION



1\*4 POSITION

1 MATERIAL: SILICONE RUBBER, INHERENTLY LUBRICATED  
 COLOR - SEE CHART

2 SEE CHART FOR INSULATION OD RANGE

3 MATING CONNECTOR P/N'S:  
 CAP HSG - \*-2325350-\*/\*-2325043-\*/\*-2336231-\*/  
 \*-2337219-\*/\*-2345729-1  
 PLUG HSG - \*-2332040-\*/\*-2336229-\*/\*-2345728-1  
 CONTACTS - 2329907-\*/2329908-\*/2329911-\*/2329914-\*/  
 2329916-\*/2329917-\*/  
 BACK COVER (OPTIONAL) - 2324614-\*/2340648-6

4 PRELIMINARY PART - NOT RELEASED FOR PRODUCTION  
 THIS PRODUCT HAS NOT COMPLETED QUALIFICATION TESTING

5 THIS PRODUCT HAS NOT COMPLETED QUALIFICATION TESTING

GREEN	1.30-2.40	1*4	4 1-2325349-4
GREEN	1.30-2.40	1*3	5 1-2325349-3
GREEN	1.30-2.40	1*2	4 1-2325349-2
GREEN	1.30-2.40	1*1	4 1-2325349-1
BLUE	2.45-3.60	1*4	5 2325349-4
BLUE	2.45-3.60	1*3	2325349-3
BLUE	2.45-3.60	1*2	2325349-2
BLUE	2.45-3.60	1*1	2325349-1
COLOR 1	INSULATION OD RANGE 2	POSITIONS	PART NUMBER

THIS DRAWING IS A CONTROLLED DOCUMENT.

DIMENSIONS:	TOLERANCES UNLESS OTHERWISE SPECIFIED:	DWN B. WEAVER 15 JUN 2018	TE Connectivity
mm	0 PLC ±	CHK S. FERNANDES 15 JUN 2018	
	1 PLC ±	APVD C. YI 15 JUN 2018	
	2 PLC ±0.50	PRODUCT SPEC 108-143081	
	3 PLC ±	APPLICATION SPEC 114-143082	NAME GANG SEAL, POWER VERSA-LOCK
	4 PLC ±	WEIGHT -	SIZE A2 CAGE CODE 00779 DRAWING NO C-2325349 RESTRICTED TO -
MATERIAL 1	FINISH -	CUSTOMER DRAWING	SCALE 6:1 SHEET 1 OF 1 REV A3