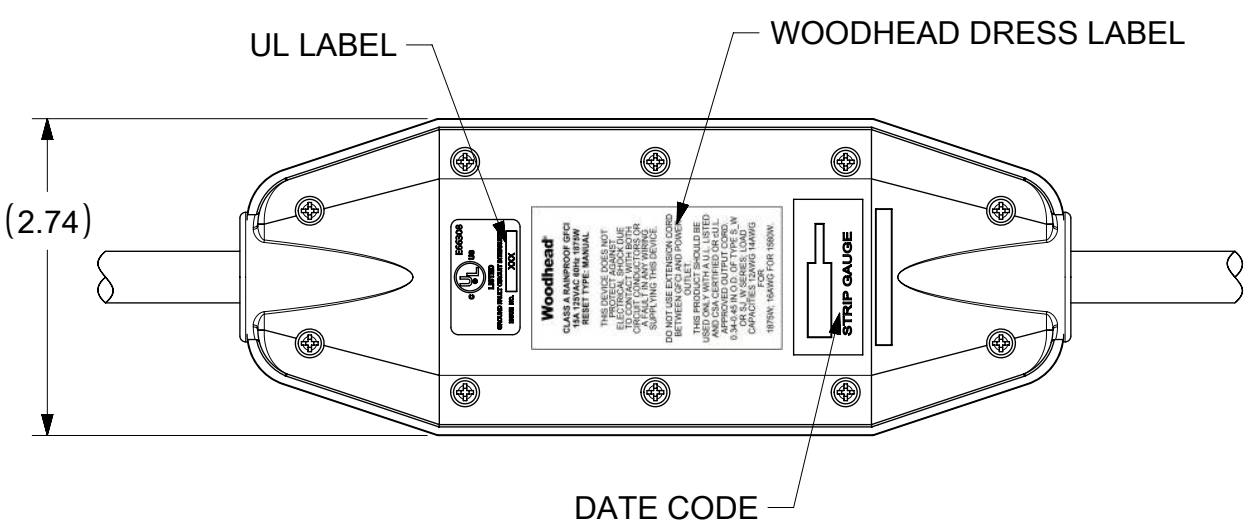
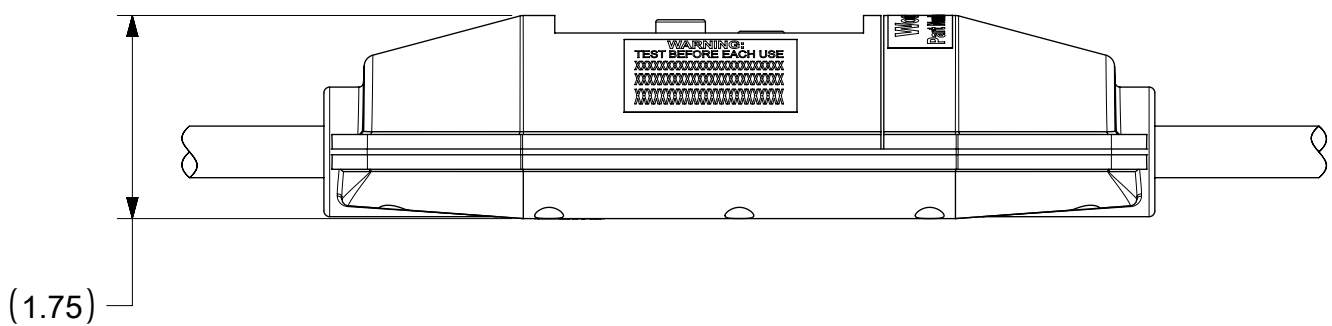
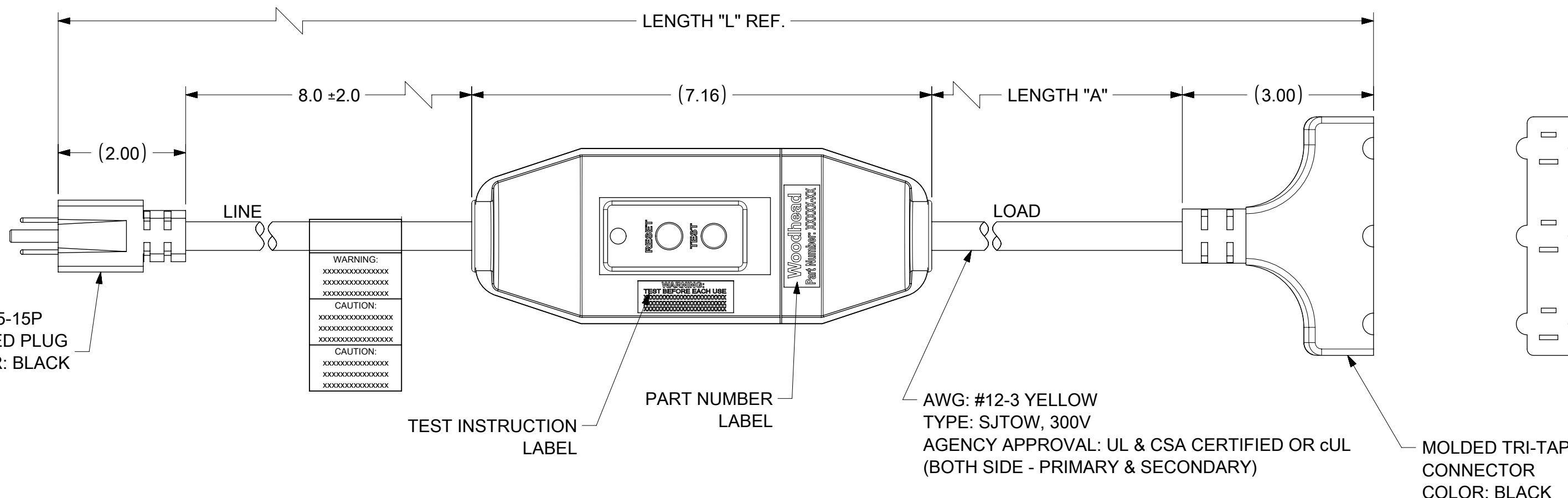


NEMA 5-15P
MOLDED PLUG
COLOR: BLACK



MATERIAL NO.	ENGINEERING NO.	LENGTH "L"	LENGTH "A"	POWER-UP
1301530029	15050-3TTA	2 FT 8 IN	1 FT ± 1 IN	AUTO
1301530040	15050-6TTA	7 FT 8 IN	6 FT ± 2 IN	AUTO
1301530026	15050-25TTA	26 FT 8 IN	25 FT ± 2 IN	AUTO
1301530034	15050-50TTA	51 FT 8 IN	50 FT ± 4 IN	AUTO
1301530030	15050-1TTM	2 FT 8 IN	1 FT ± 1 IN	MANUAL
1301530041	15050-6TTM	7 FT 8 IN	6 FT ± 2 IN	MANUAL
1301530027	15050-25TTM	26 FT 8 IN	25 FT ± 2 IN	MANUAL
1301530035	15050-50TTM	51 FT 8 IN	50 FT ± 4 IN	MANUAL

TECHNICAL

LISTED: UL & CSA
 RATED SUPPLY VOLTAGE: 120VAC
 RATED CURRENT: UP TO 15 AMPS
 RESET TYPE: AUTO OR MANUAL
 OPERATING FREQUENCY: 60 Hz
 TYPE: CLASS A
 GROUND TRIP CURRENT: 5mA +/- 1mA
 OVERLOAD CURRENT: 90 AMPS, 0.45 PF
 INSULATION VOLTAGE: 1,500 VRMS - 1 MINUTE
 ENDURANCE OPERATIONS: 3000 OPERATIONS
 ENCLOSURE: NEMA 3R

FUNCTIONAL SYMBOLS $\frac{F}{A} = 0$ $\frac{F}{C} = 0$ $\frac{F}{P} = 0$ DIVISIONAL SYMBOLS 4 PLACES ± 3 PLACES ± 2 PLACES ± 1 PLACE ± 0 PLACES ±	THIS DRAWING CONTAINS INFORMATION THAT IS PROPRIETARY TO MOLEX ELECTRONIC TECHNOLOGIES, LLC AND SHOULD NOT BE USED WITHOUT WRITTEN PERMISSION		SCALE INCH NTS		CURRENT REV DESC: NEW SALES DRAWING CREATED				
	GENERAL TOLERANCES (UNLESS SPECIFIED) ANGULAR TOL ± 0.5°		EC NO: 679783 DRWN: VBASUTHKARP 2021/09/30 CHK'D: DNGUYEN62 2021/10/05 APPR: HKNEELAND 2021/10/11		INLINE GFCI 15A, 120V W/ TRIPLE TAP CONNECTOR NEMA 5-15				
	DRAFT WHERE APPLICABLE MUST REMAIN WITHIN DIMENSIONS		THIRD ANGLE PROJECTION		DRAWING SERIES C-SIZE 130153		PRODUCT CUSTOMER DRAWING		
	MATERIAL NUMBER CUSTOMER SEE TABLE GENERAL MARKET		DOCUMENT NUMBER 1301530029		DOC TYPE DOC PART REVISION PSD 000 A		SHEET NUMBER 1 OF 1		

6

5

4

3

2

1

E

E

D

D

C

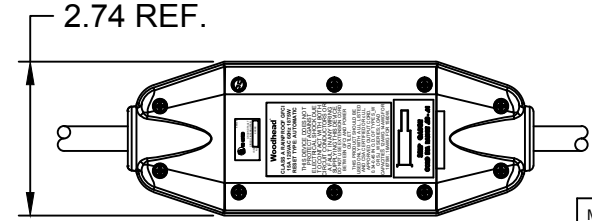
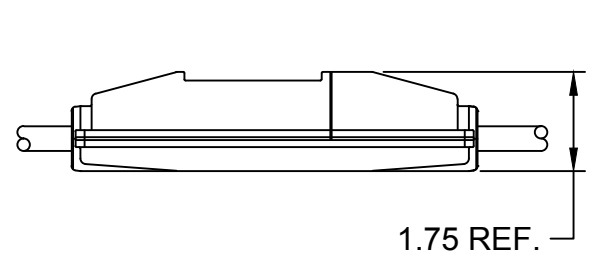
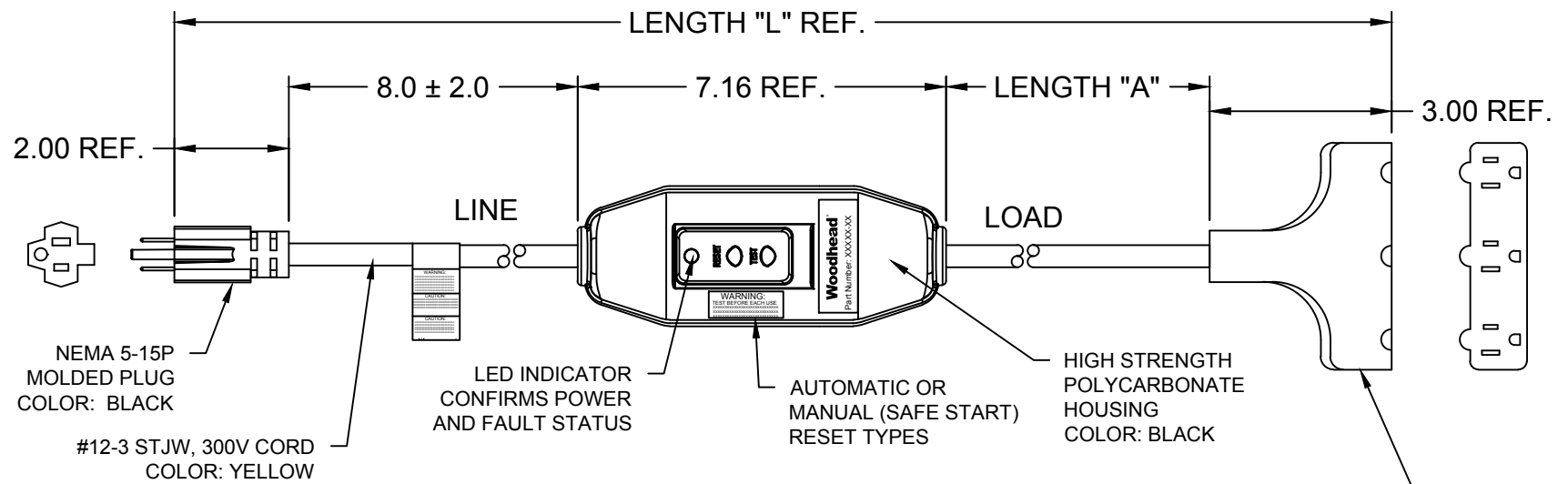
C

B

B

A

A



TECHNICAL:
 LISTED: UL AND cUL
 RATED SUPPLY VOLTAGE: 120 VAC
 RATED CURRENT: UP TO 15 AMPS OR CABLE RATING
 RESET TYPE: AUTOMATIC OR MANUAL
 OPERATING FREQUENCY: 60 Hz
 TYPE: CLASS A
 GROUND TRIP CURRENT: 4-6 mA
 OVERLOAD CURRENT: 90 AMP 125 VAC
 INSULATION VOLTAGE: 1,500 VRMS - 1 MINUTE
 ENDURANCE OPERATIONS: 3000 OPERATIONS

MATERIAL NO.	ENGINEERING NO.	LENGTH "L"	LENGTH "A"	POWER-UP
1301530029	15050-3TTA	2 FT 8 IN	1 FT ± 1 IN	AUTO
1301530040	15050-6TTA	7 FT 8 IN	6 FT ± 2 IN	AUTO
1301530026	15050-25TTA	26 FT 8 IN	25 FT ± 2 IN	AUTO
1301530034	15050-50TTA	51 FT 8 IN	50 FT ± 4 IN	AUTO
1301530030	15050-1TTM	2 FT 8 IN	1 FT ± 1 IN	MANUAL
1301530041	15050-6TTM	7 FT 8 IN	6 FT ± 2 IN	MANUAL
1301530027	15050-25TTM	26 FT 8 IN	25 FT ± 2 IN	MANUAL
1301530035	15050-50TTM	51 FT 8 IN	50 FT ± 4 IN	MANUAL

INITIAL RELEASE EC NO: IPC2013-1078 DRWN: HRUIZ01 2013/02/06 CHKD: HKNEELAN 2014/07/22 APPR: JFMURPHY 2015/04/20	DESCRIPTION	QUALITY SYMBOLS	GENERAL TOLERANCES (UNLESS SPECIFIED)		DIMENSION STYLE		SCALE	DESIGN UNITS	THIRD ANGLE PROJECTION		
		▽=0			INCH		NTS	INCH			
		▽C=0	4 PLACES	mm	INCH	DRAWN BY	DATE	TITLE 120V 15A INLINE GFCI W/ TRIPLE TAP CONNECTOR NEMA 5-15			
			3 PLACES	±---	±---	HRUIZ01	2013/02/06				
	2 PLACES	±0.13	±0.010	CHECKED BY	DATE	MOLEX INCORPORATED					
	1 PLACE	±0.25	±0.020	HKNEELAN	2014/07/22						
		ANGULAR ±1/2°		APPROVED BY	DATE	DOCUMENT NO. SD-130153-014					
		DRAFT WHERE APPLICABLE MUST REMAIN WITHIN DIMENSIONS		JFMURPHY	2015/04/20						
				MATERIAL NO.	SEE TABLE		SHEET NO. 1 OF 1				
				SIZE	A						
THIS DRAWING CONTAINS INFORMATION THAT IS PROPRIETARY TO MOLEX INCORPORATED AND SHOULD NOT BE USED WITHOUT WRITTEN PERMISSION											

6

5

4

3

2

1