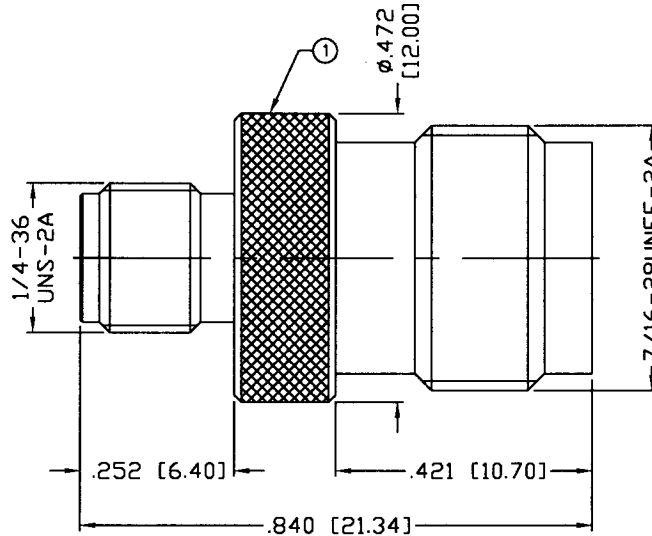


THIS DRAWING CONTAINS INFORMATION PROPRIETARY TO RF INDUSTRIES.  
 ANY UNAUTHORIZED USE OF THIS DRAWING IS EXPRESSLY PROHIBITED  
 WITHOUT WRITTEN PERMISSION FROM RF INDUSTRIES.  
 ANY VIOLATION IS PUNISHABLE UNDER U.S. COPYRIGHT LAWS.

ALL DIMENSIONS ARE REFERENCE ONLY

PART NO.		<b>RSA-3473</b>		
REV	DESCRIPTION	DWN	DATE	APPROVED
A	ENGINEERING RELEASE	CZS	11/24/97	R. RICE
B	UPDATE ELECTRIC. SPECS/UPDATE FROMAT/CHG. SMA END LENGHT	CZS	11/11/03	JDMc



**SPECIFICATIONS:**

IMPEDANCE: 50 Ohms  
 INTERFACE: Per MIL-STD-348  
 FREQUENCY RANGE: 0-11 GHz  
 VSWR: < 1.12:1 to 6 GHz  
 INSERTION LOSS: -0.13 dB Max 0-6 GHz  
 WORKING VOLTAGE: 375 VRMS @ sea level  
 TEMPERATURE RANGE: -65°C TO 165°C  
 INSULATION RESISTANCE: 5k M Ohms min.  
 RF LEAKAGE: N/A  
 RF HIGH POTENTIAL: 1k VRMS @ 5~7.5 MHz  
 CONNECTOR DURABILITY: 500 Cycles Min.

1	BODY	1	BRASS	NICKEL, 100μ"	008974	
2	INSULATOR	1	PTFE	---		
3	CONTACT	1	PHOS BRONZE	GOLD, 3μ"		
4	LOCK RING	1	BRASS	NICKEL, 100μ"		
5						
6						
7						
8						
9						
10						
11						
12						
13						
14						
#	DESCRIPTION	QTY	MATERIAL	FINISH	APPROVALS	DATE

UNLESS OTHERWISE SPECIFIED:

DIMENSIONS ARE IN INCHES AND [MILLIMETERS]  
 UNLESS OTHERWISE NOTED TOLERANCES ARE:

DECIMALS	DIAMETER
----------	----------

DRAWN C. ZUNIGA 11/11/03  
 CHECKED [Signature] 11-12-03  
 ORJ DRAWN C. ZUNIGA 11/24/97

7610 MIRAMAR RD  
 SAN DIEGO, CA 92126  
 (858) 549-6340  
 (858) 549-6345 FAX

**RF connectors**  
 DIVISION OF RF INDUSTRIES, LTD.

## SMA JACK TO TNC JACK ADAPTER

SIZE <b>A</b>	CABLE GROUP <b>N/A</b>	DWG NO. <b>RSA-3473</b>	REV <b>B</b>
SCALE: NTS		CAD FILE OUTLINE	SHEET 1 OF 1