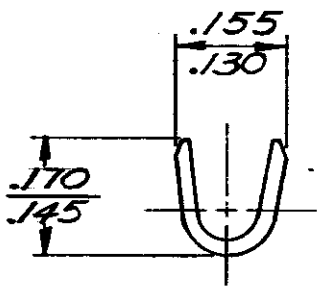
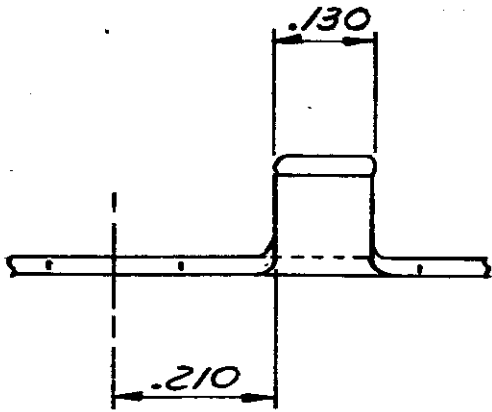
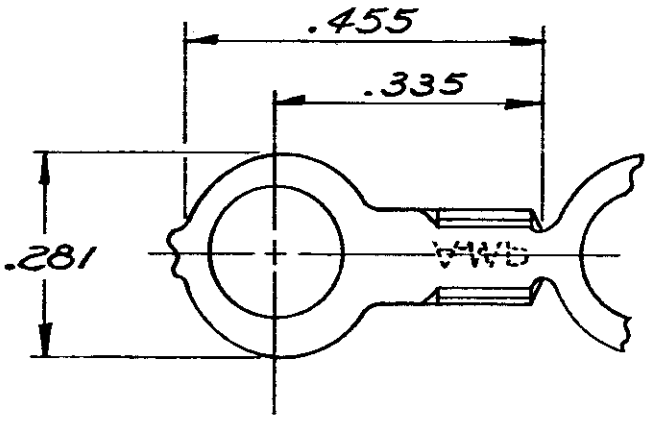


NUMBER 61142



**CONTINUOUS STRIP, ON REELS**

WIRE SIZE A.W.G.	STUD #	HOLE DIA. ±.003	MATERIAL AND FINISH	TERMINAL NUMBER
18-14	6	.145	.020 - BRASS - NONE	61142-1
18-14	6	.145	.020 BRASS - TIN	61142-2

DIMENSIONS IN INCHES. DO NOT SCALE PRINT.

©1967 BY AMP INCORPORATED. ALL RIGHTS RESERVED. AMP PRODUCTS COVERED BY PATENTS AND/OR PATENTS PENDING.

**CUSTOMER COPY REFERENCE ONLY**

MATERIAL AND FINISH

WIRE - RANGE - INSULATION

TOLERANCE EXCEPT AS NOTED ± .015 ± 1° 0'

SCALE 4-1

**AMP** AMP INCORPORATED HARRISBURG, PENNA.

CLASS — H —

TYPE — H —

B	OBS-1	AF1608	SS	8/2/67
A	ADDED	61142-2	GY	6/1/67
WAS - P-29500				
LTR	REVISION RECORD	DR	CHK	DATE
DR	CLAIR E. FINK	DE	C. MEYERS	1-26-67
CHK	1-25-67	APP		

LOC 15 A NO 61142 REV 6

RING