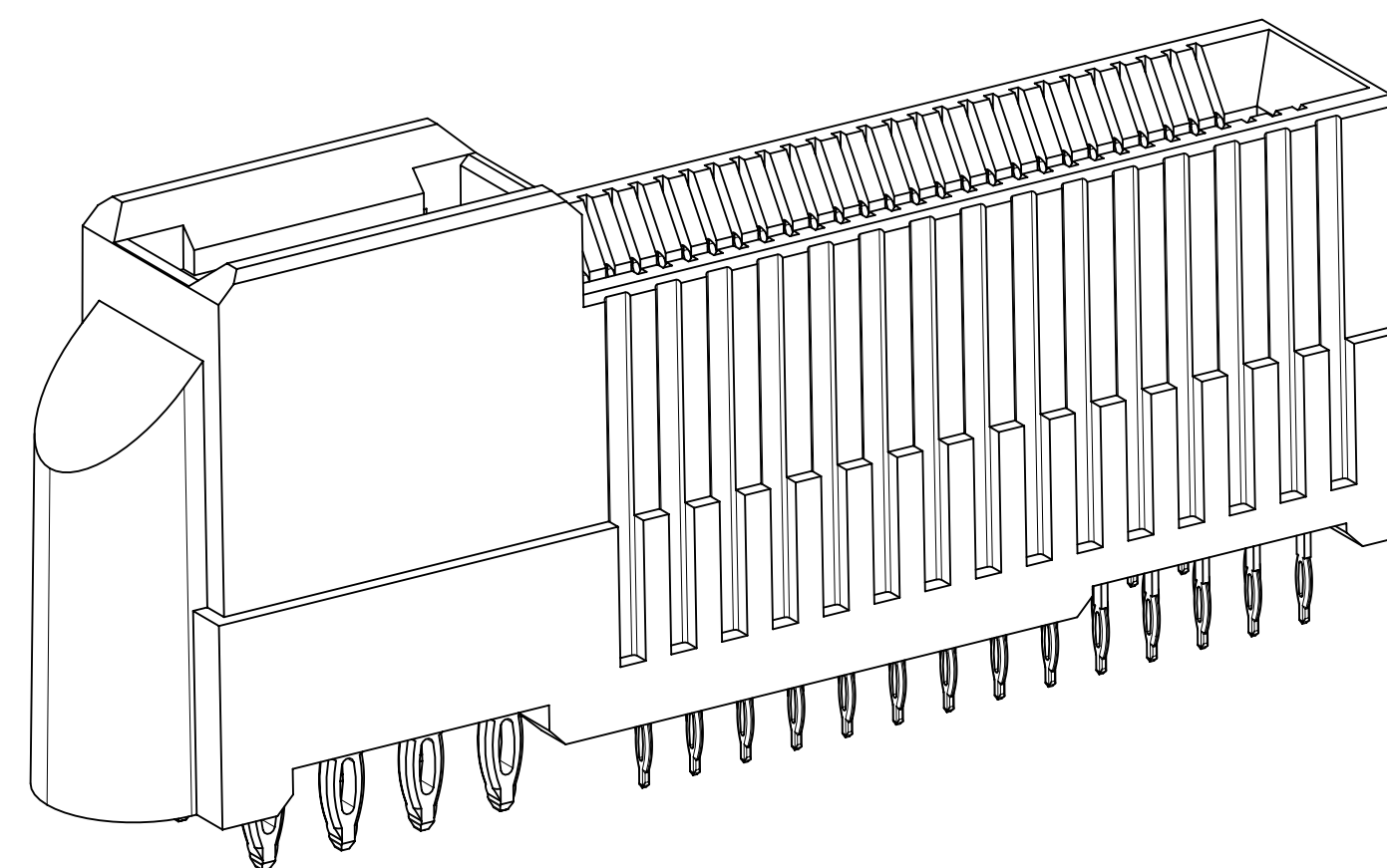
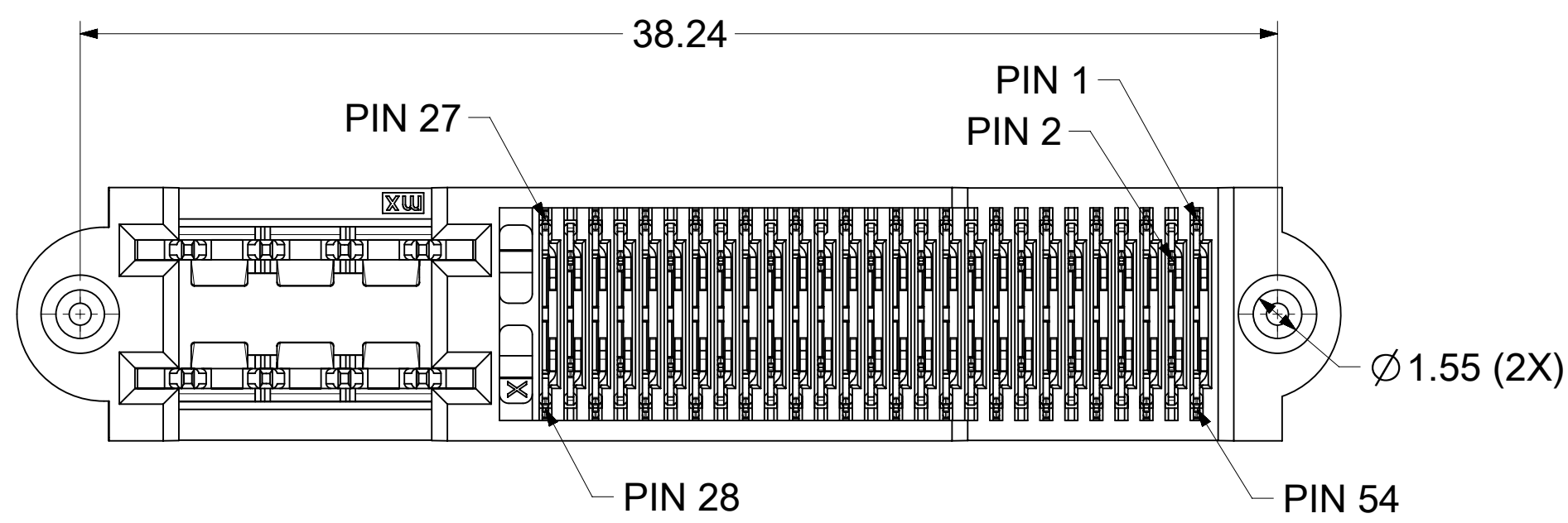
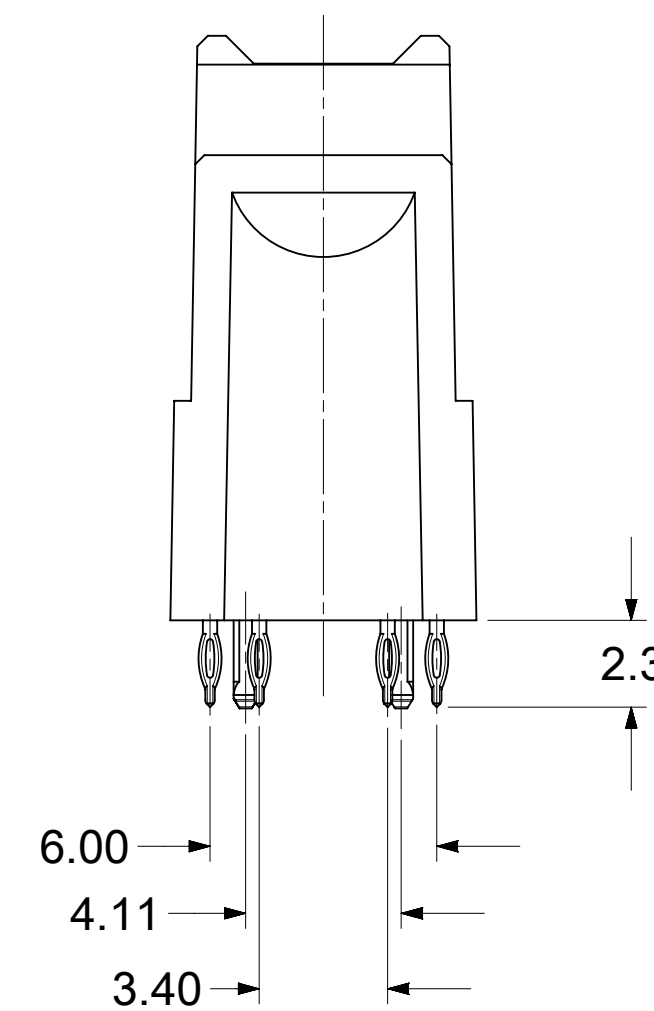
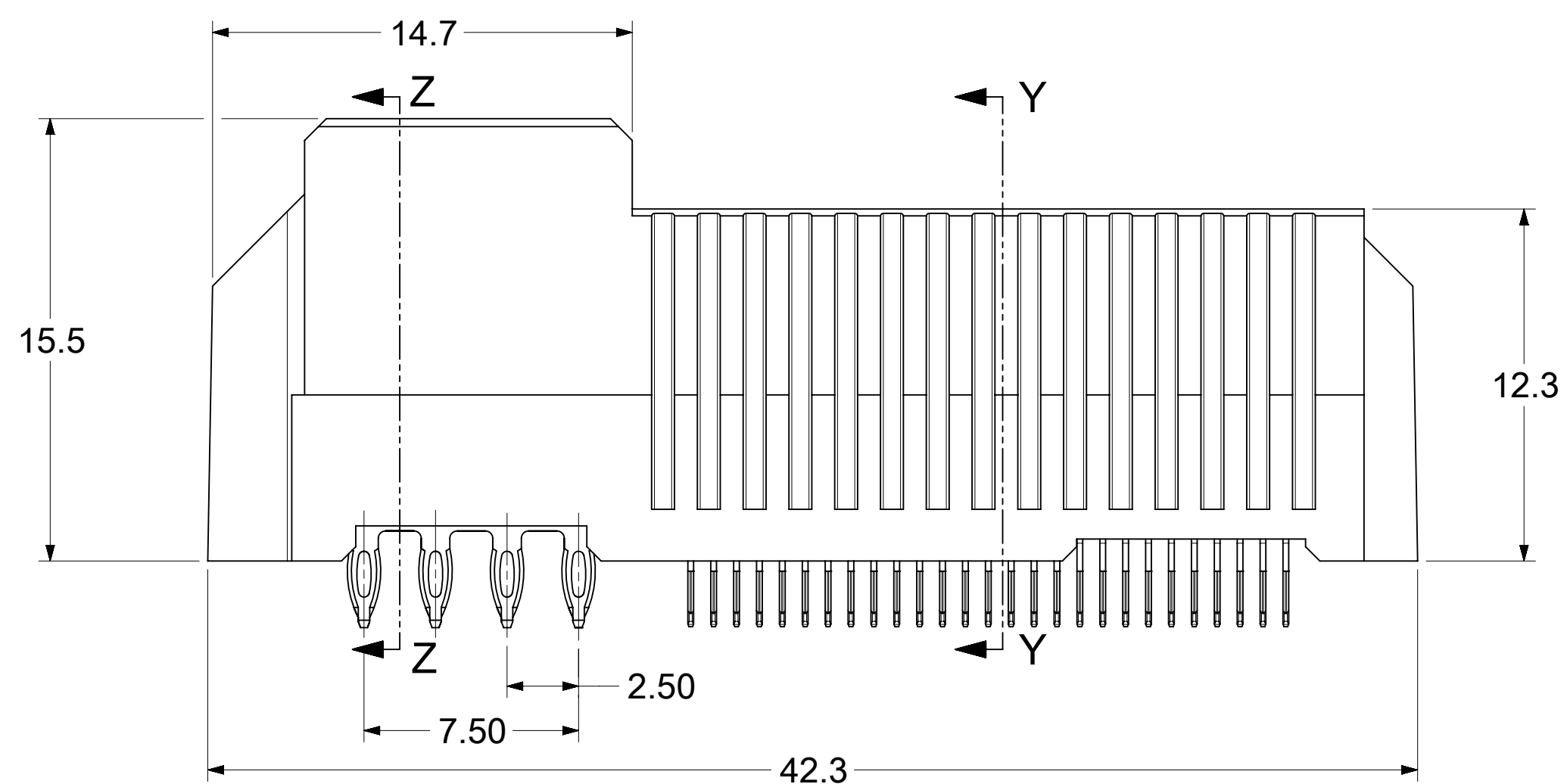


SECTION Z-Z

SECTION Y-Y



1705451054 LEGEND ESP 54 CIRCUITS / 0.093" PCB

PIN NO.	ALLEGRO PIN NO.				PIN NO.
54	1			1	1
53		1	1		2
52	1			1	3
51		1	1		4
50	1			1	5
49		1	1		6
48	1			1	7
47		1	1		8
46	1			1	9
45		1	1		10
44	1			1	11
43		1	1		12
42	1			1	13
41		1	1		14
40	1			1	15
39		1	1		16
38	1			1	17
37		1	1		18
36	1			1	19
35		1	1		20
34	1			1	21
33		1	1		22
32	1			1	23
31		1	1		24
30	1			1	25
29		1	1		26
28	1			1	27

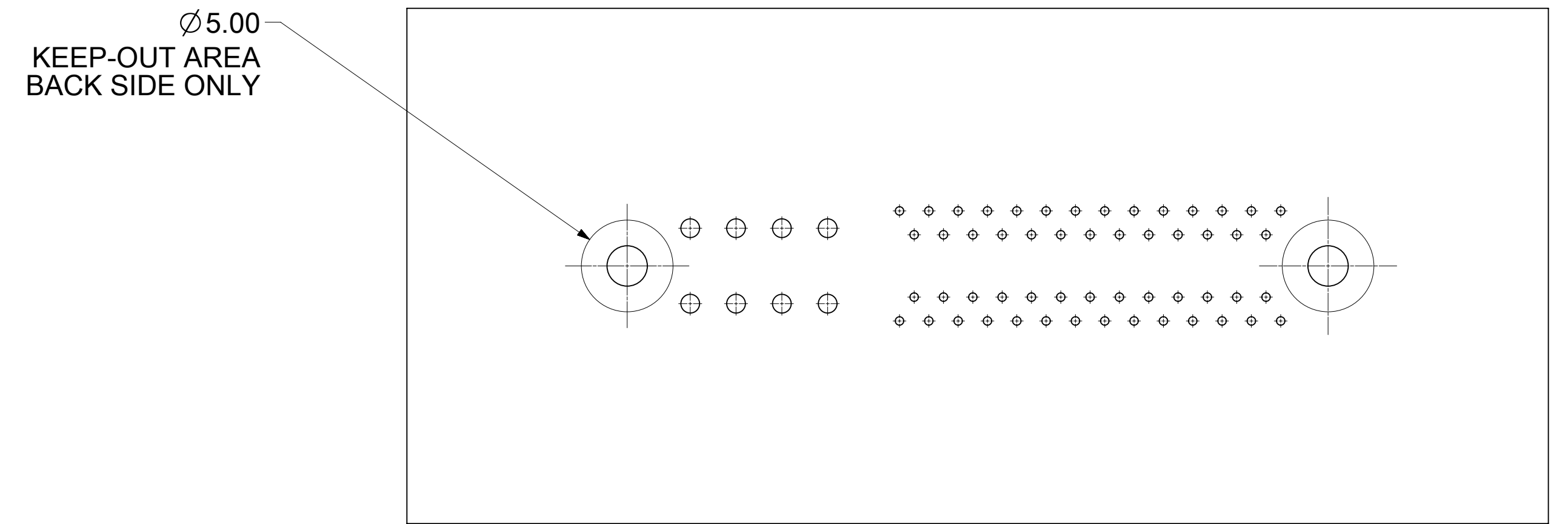
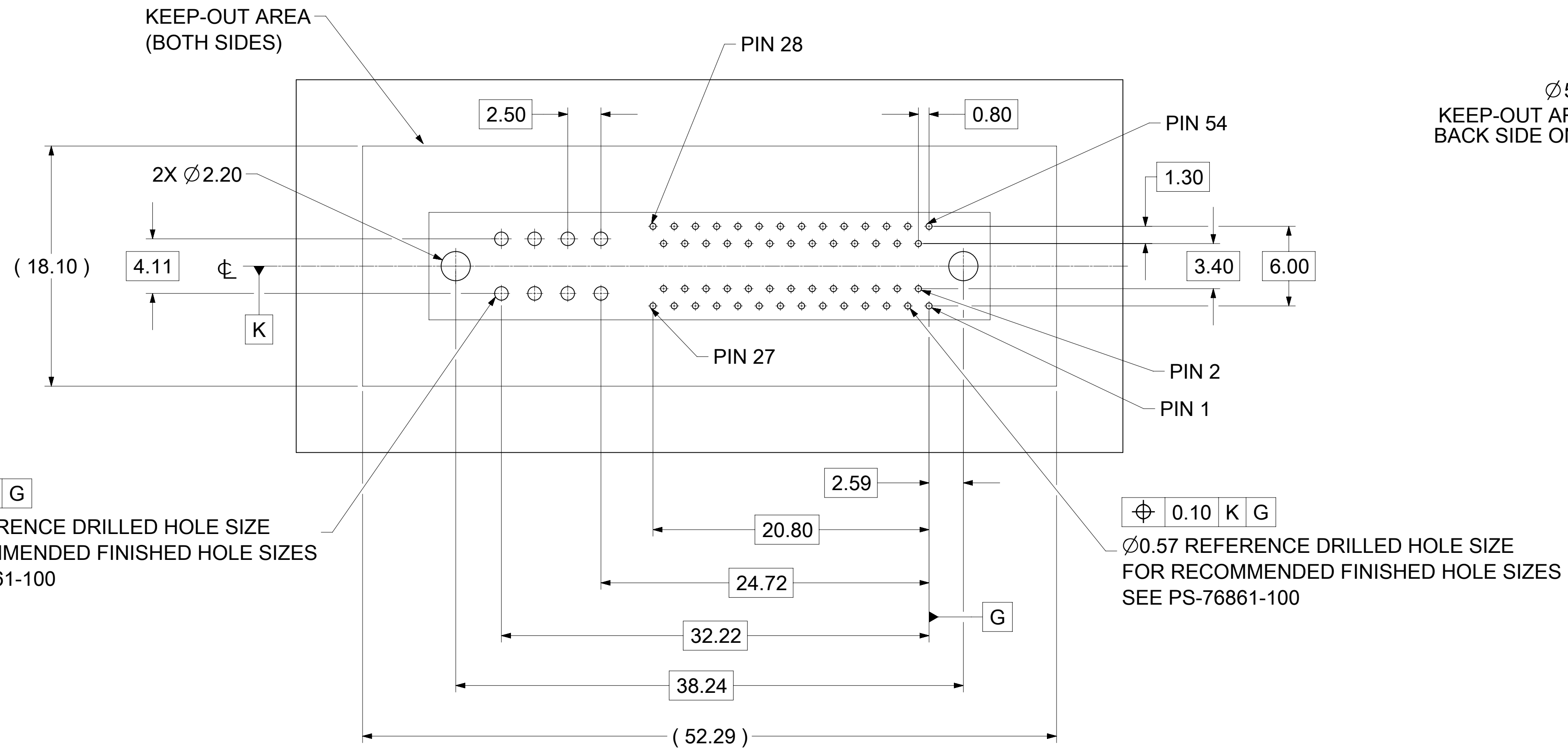
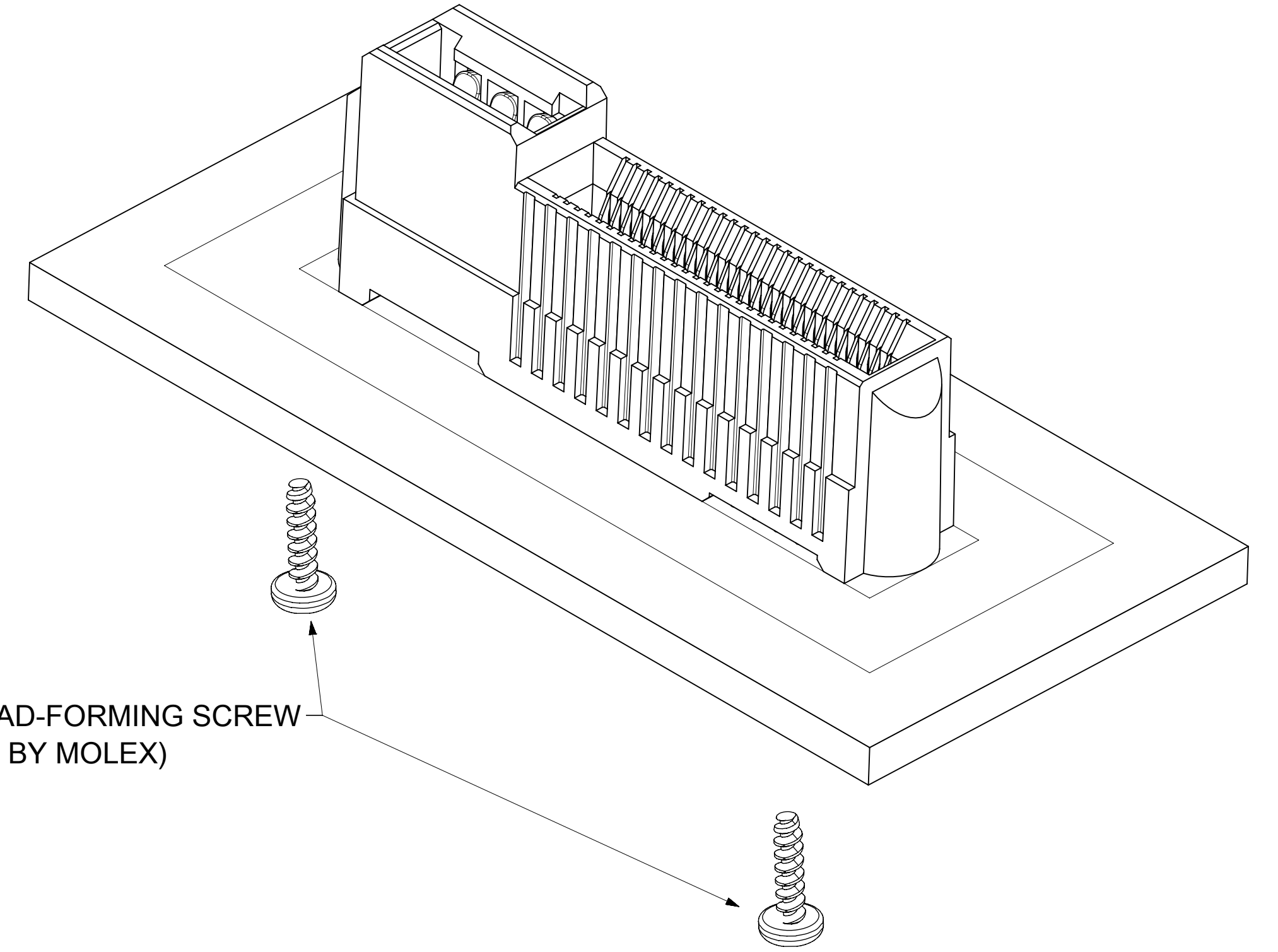
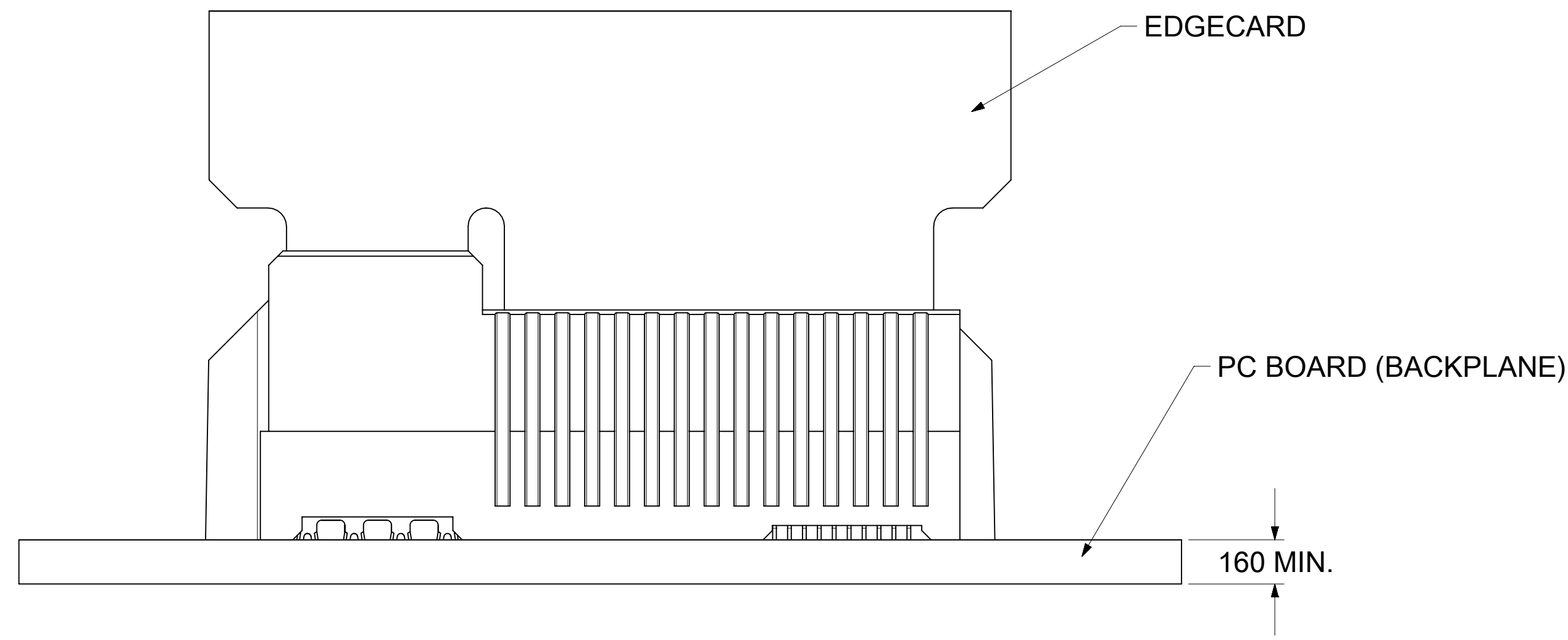
POWER

NOTES:

- MATERIAL:  
HOUSING: GLASS FILLED THERMOPLASTIC, UL94-V0, BLACK;  
TERMINALS: COPPER ALLOY;
- FINISH:  
POWER PIN:  
1.25 - 3.75um NICKEL UNDERPLATING OVER ALL;  
0.76um MIN. GOLD PLATING ON CONTACT AREA;  
2.54um MIN. TIN PLATING ON COMPLIANT AREA;  
SIGNAL PIN:  
0.76um MIN. GOLD OVER 3.80um MIN. NICKEL PLATING ON CONTACT AREA;  
0.76 - 1.52um TIN OVER 1.30um MIN. NICKEL PLATING ON COMPLIANT AREA;
- REFER TO PS-76861-100 PRODUCT SPECIFICATION FOR ALL ELECTRICAL, MECHANICAL AND ENVIRONMENTAL SPECIFICATIONS;
- REFER TO PK-170545-5000 FOR ALL PACKAGING SPECIFICATIONS;
- REFER TO AS-76693-100 FOR APPLICATION SPECIFICATIONS;
- PROCESSING: PRESSFIT TO PC BOARD;
- MATING PC BOARD THICKNESS = 2.36±10% OVER CONTACT PADS;
- THIS PART CONFORMS TO CLASS B REQUIREMENTS OF COSMETIC SPEC PS-45499-002.

FUNCTIONAL SYMBOLS FA = 0 FE = 0 FP = 0	THIS DRAWING CONTAINS INFORMATION THAT IS PROPRIETARY TO MOLEX ELECTRONIC TECHNOLOGIES, LLC AND SHOULD NOT BE USED WITHOUT WRITTEN PERMISSION		CURRENT REV DESC: SEE REVERSION DESCRIPTION	
	DIMENSION UNITS mm	SCALE NTS		
DIVISIONAL SYMBOLS	GENERAL TOLERANCES (UNLESS SPECIFIED)		EC NO: 695646	
	ANGULAR TOL ± 2.0°		DRWN: SSORADI	2020/02/24
	4 PLACES ±		CHK'D: JKACHLIC	2022/02/21
	3 PLACES ±		APPR: JKACHLIC	2022/02/21
	2 PLACES ± 0.13		INITIAL REVISION:	
1 PLACE ± 0.25		DRWN: MPOFF	2014/05/23	
0 PLACES ±		APPR: SMILLER	2014/07/23	
DRAFT WHERE APPLICABLE MUST REMAIN WITHIN DIMENSIONS		THIRD ANGLE PROJECTION	DRAWING	SERIES
			D-SIZE	170545
DOCUMENT STATUS		DOCUMENT NUMBER	MATERIAL NUMBER	CUSTOMER
P1	RELEASE DATE 2022/02/21 07:18:12	SD-170545-1054	1705451054	GENERAL MARKET
		DOC TYPE	DOC PART	REVISION
		PSD	001	F
		SHEET NUMBER		
		3 OF 4		

# P.C. BOARD MOUNTING



MOTHER BOARD HOLE LAYOUT  
(BACK SIDE)

MOTHER BOARD HOLE LAYOUT  
(COMPONENT SIDE)

FUNCTIONAL SYMBOLS	THIS DRAWING CONTAINS INFORMATION THAT IS PROPRIETARY TO MOLEX ELECTRONIC TECHNOLOGIES, LLC AND SHOULD NOT BE USED WITHOUT WRITTEN PERMISSION									
	FA = 0	mm	NTS	CURRENT REV DESC: SEE REVISION DESCRIPTION						
	FC = 0	GENERAL TOLERANCES (UNLESS SPECIFIED)			EC NO: 695646					
	FD = 0	ANGULAR TOL ± 2.0°			DRWN: SSORADI 2020/02/24					
DIVISIONAL SYMBOLS	4 PLACES ±			CHK'D: JKACHLIC 2022/02/21						
	3 PLACES ±			APPR: JKACHLIC 2022/02/21						
	2 PLACES ± 0.13			INITIAL REVISION:						
	1 PLACE ± 0.25			DRWN: MPOFF 2014/05/23						
0 PLACES ±			APPR: SMILLER 2014/07/23							
DRAFT WHERE APPLICABLE MUST REMAIN WITHIN DIMENSIONS			THIRD ANGLE PROJECTION	DRAWING	SERIES	MATERIAL NUMBER	CUSTOMER	SHEET NUMBER		
				D-SIZE	170545	1705451054	GENERAL MARKET	1 OF 4		

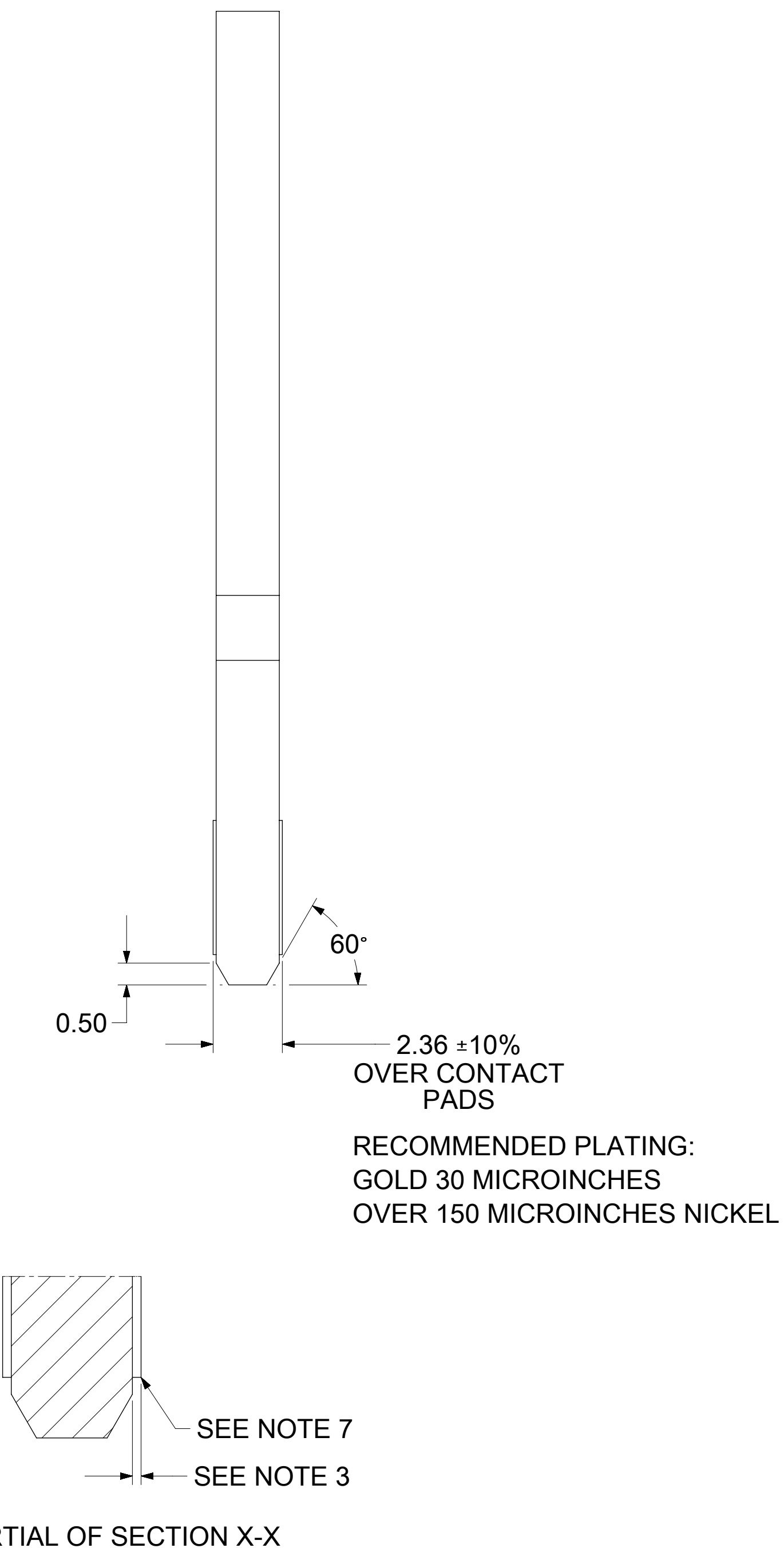
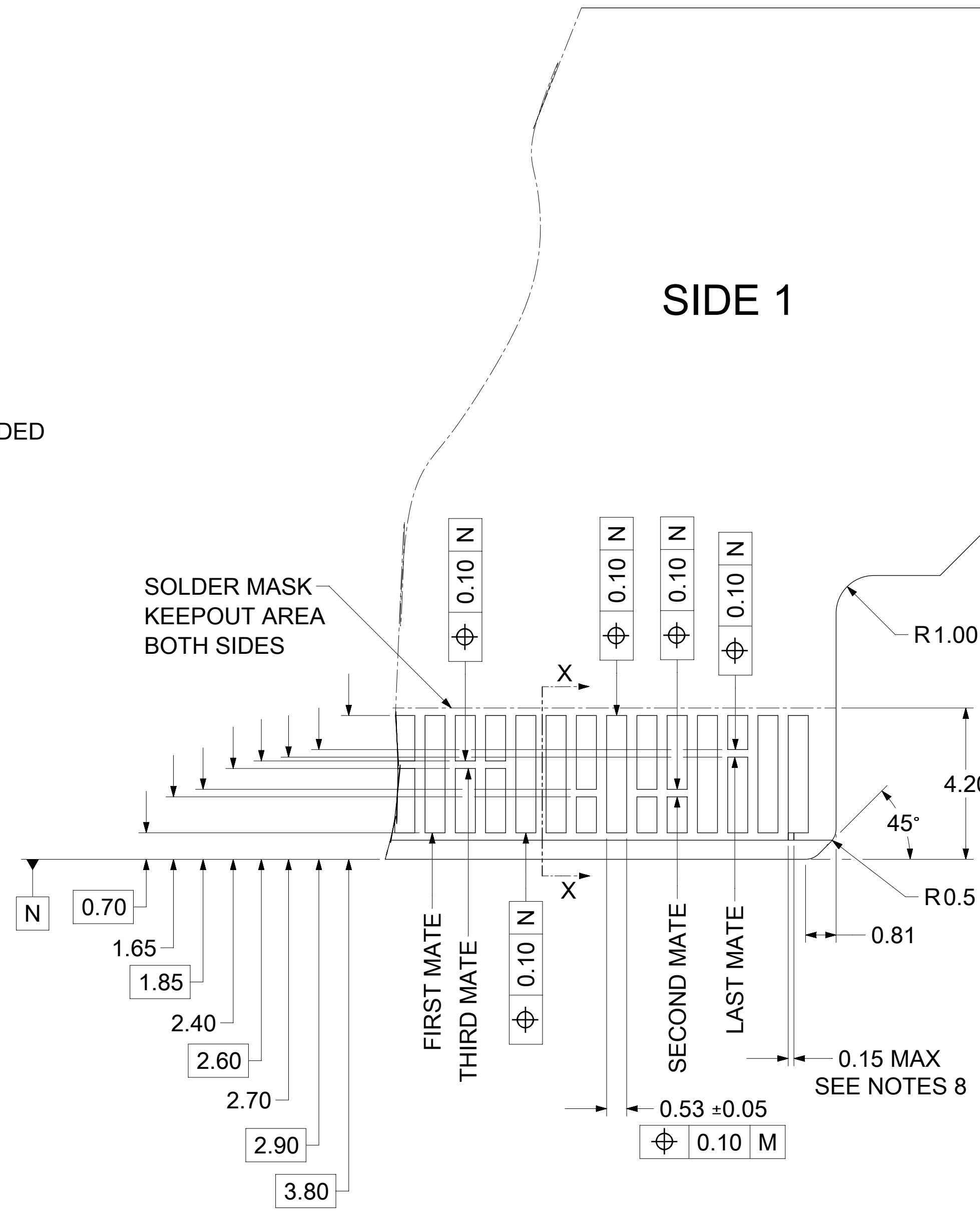
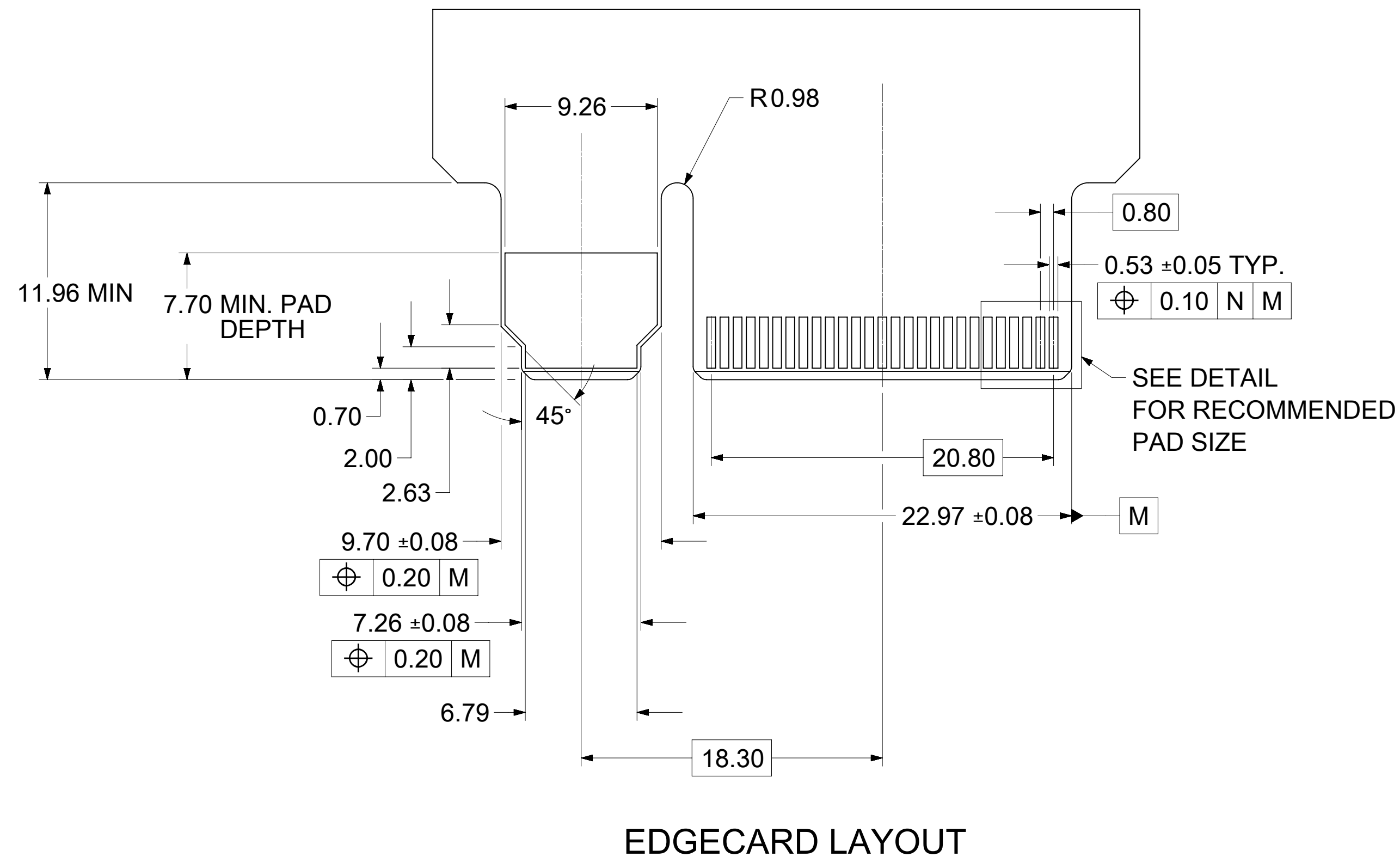
**molex**

EDGELINE ESP30 12.5GB  
0.093"PCB/0.8MM PITCH 54 CKTS

PRODUCT CUSTOMER DRAWING

DOCUMENT NUMBER	DOC TYPE	DOC PART	REVISION
SD-170545-1054	PSD	001	F

# MODULE EDGE CARD CONTACT DETAIL



**MATING PCB NOTES:**

1. CONNECTOR LAND CONDITIONS SHALL MEET THE MOST CURRENT REVISION OF PCB SPECIFICATION IPC-6012C-2010 SECTION 3.5.4.4;
2. DIMENSIONS APPLY TO LANDS ON BOTH SIDES OF THE BOARD;
3. THE THICKNESS OF THE OUTER METAL LAYERS, INCLUDING FOIL, COPPER PLATING, AND THE PROTECTIVE SURFACE FINISH, SHALL BE 0.066mm MAXIMUM;
4. CHAMFER ROUGHNESS NOT TO EXCEED 3.17 MICROMETERS;
5. CHAMFER PROCESS SHALL NOT DAMAGE THE GOLD EDGE LANDS;
6. EDGE CARD CHAMFER NOT TO GO THROUGH GOLD LANDS;
7. 0.03mm MAXIMUM PLATING OVERHANG ON ALL GOLD LAND EDGES.
8. MOLEX RECOMMENDS NO TIE-BARS ON THE LEADING EDGE OF THE GOLD LAND. IF TIE-BARS ARE USED, THEY SHALL BE PLACED TO ONE SIDE OF THE GOLD LAND. APPLIES TO ALL GOLD LANDS.

FUNCTIONAL SYMBOLS	THIS DRAWING CONTAINS INFORMATION THAT IS PROPRIETARY TO MOLEX ELECTRONIC TECHNOLOGIES, LLC AND SHOULD NOT BE USED WITHOUT WRITTEN PERMISSION		CURRENT REV DESC: SEE REVERSION DESCRIPTION	
	FA = 0	mm	NTS	
DIVISIONAL SYMBOLS	GENERAL TOLERANCES (UNLESS SPECIFIED)		EC NO: 695646	
	FC = 0	ANGULAR TOL ± 2.0°		DRWN: SSORADI 2020/02/24
DIVISIONAL SYMBOLS	FD = 0	4 PLACES	±	CHK'D: JKACHLIC 2022/02/21
		3 PLACES	±	APPR: JKACHLIC 2022/02/21
		2 PLACES	± 0.13	INITIAL REVISION:
		1 PLACE	± 0.25	DRWN: MPOFF 2014/05/23
	0 PLACES	±	APPR: SMILLER 2014/07/23	
DRAFT WHERE APPLICABLE MUST REMAIN WITHIN DIMENSIONS		THIRD ANGLE PROJECTION	DRAWING	SERIES
			<b>D-SIZE</b>	<b>170545</b>
DOCUMENT STATUS		DOCUMENT NUMBER	MATERIAL NUMBER	CUSTOMER
P1	RELEASE DATE	<b>SD-170545-1054</b>	1705451054	GENERAL MARKET
	2022/02/21 07:18:12	DOC TYPE	DOC PART	REVISION
		PSD	001	F
		SHEET NUMBER		
		2 OF 4		

DATE	REVERSION	DESCRIPTION
2021.12.10	F	DRAWING MIGRATION; ADD DETAIL DIMENSION FOR PART AND RECOMMENDED PCB.

<b>FUNCTIONAL SYMBOLS</b> FA = 0 FC = 0 FP = 0 <b>DIVISIONAL SYMBOLS</b>	THIS DRAWING CONTAINS INFORMATION THAT IS PROPRIETARY TO MOLEX ELECTRONIC TECHNOLOGIES, LLC AND SHOULD NOT BE USED WITHOUT WRITTEN PERMISSION			CURRENT REV DESC: SEE REVERSION DESCRIPTION					
	DIMENSION UNITS	SCALE		EC NO: 695646					
	mm	NTS		DRWN: SSORADI 2020/02/24			EDGELINE ESP30 12.5GB 0.093"PCB/0.8MM PITCH 54 CKTS		
	GENERAL TOLERANCES (UNLESS SPECIFIED)			CHK'D: JKACHLIC 2022/02/21			PRODUCT CUSTOMER DRAWING		
	ANGULAR TOL ± 2.0°			APPR: JKACHLIC 2022/02/21			DOCUMENT NUMBER		
	4 PLACES ±			INITIAL REVISION:			DOC TYPE		
	3 PLACES ±			DRWN: MPOFF 2014/05/23			DOC PART		
2 PLACES ± 0.13			APPR: SMILLER 2014/07/23			REVISION			
1 PLACE ± 0.25			DRAFT WHERE APPLICABLE MUST REMAIN WITHIN DIMENSIONS			SD-170545-1054			
0 PLACES ±			THIRD ANGLE PROJECTION			PSD			
			DRAWING			001			
			SERIES			F			
			D-SIZE			170545			
			MATERIAL NUMBER			1705451054			
			CUSTOMER			GENERAL MARKET			
			SHEET NUMBER			4 OF 4			

DOCUMENT STATUS	P1	RELEASE DATE	2022/02/21 07:18:12
-----------------	----	--------------	---------------------