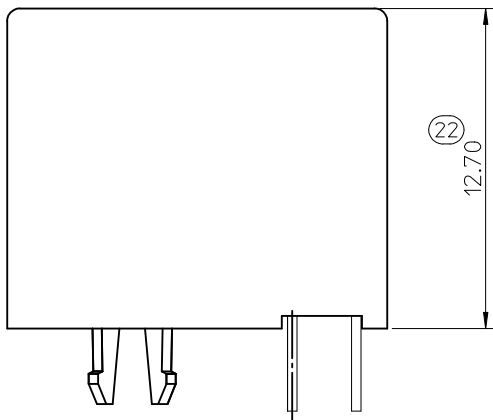


**NOTES :**

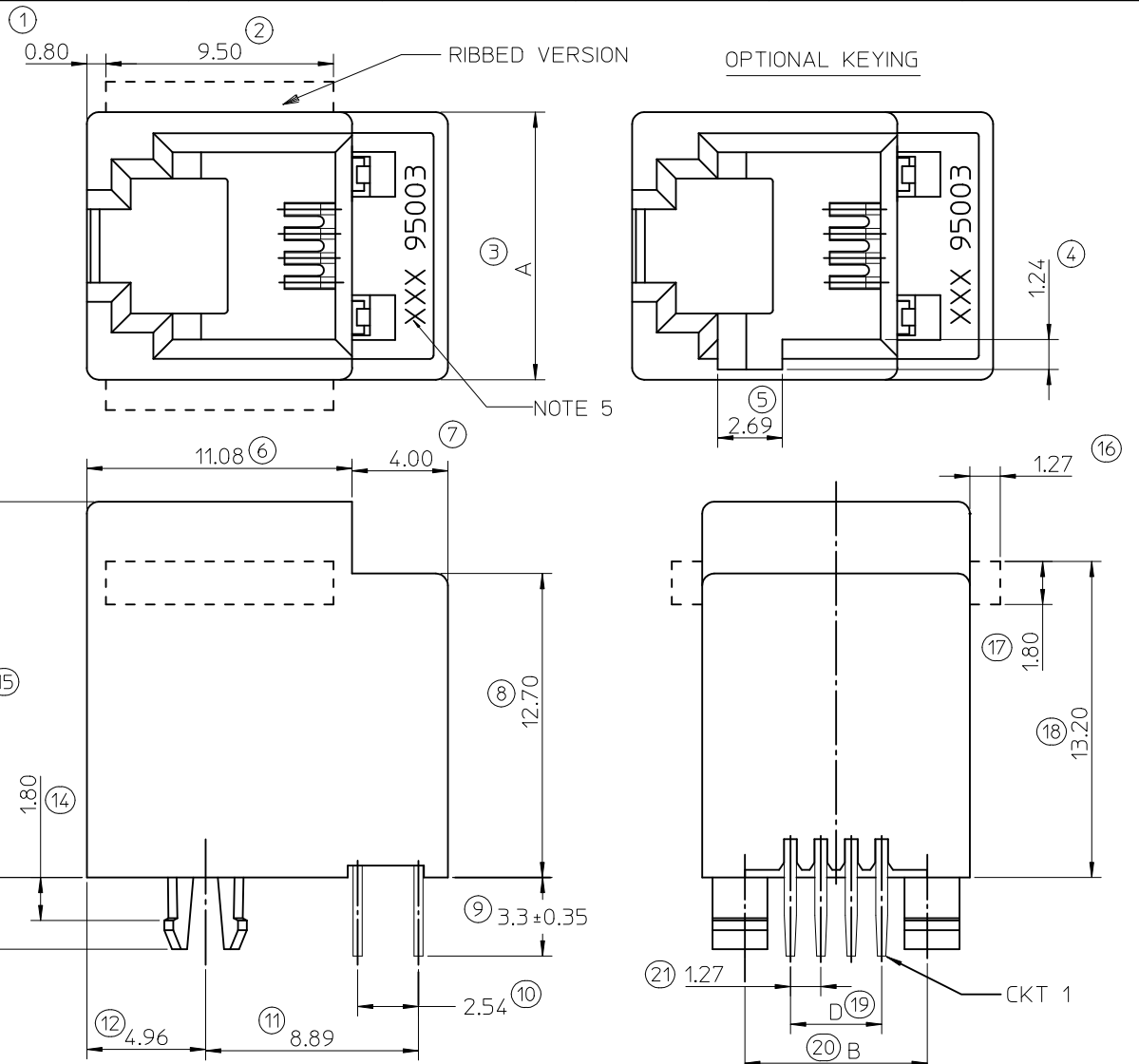
**1- MATERIAL:**

- HOUSING: LCP FIBER GLASS FILLED UL 94-V0  
COLOR BLACK.
  - TERMINAL: COPPER ALLOY
  - BASE FINISH: NICKEL
  - CONTACT SURFACE FINISH  
GOLD  
OR  
GOLD FLASH OVER PALLADIUM NICKEL  
EXCEEDS PRODUCT REQUIREMENTS BASED ON PS-95503-001
  - 2- JACK FOR MATING WITH F.C.C. 68 PLUGS  
90075 MOLEX SERIES.**
  - 3. P.C.B. THICKNESS: 1.57**
  - 4- PRODUCT SPECIFICATION PS-95503-001**
  - 5- PACKAGING SPECIFICATION:**
    - STANDARD PACKAGING PK-95003 SHEET 1.
    - TUBE PACKAGING FOR SMT VERSION PK-95003 SHEET 2.
    - TUBE PACKAGING FOR THROUGH HOLE VERSION  
PK-95003 SHEET 3.
    - TAPE AND REEL PACKAGING FOR THROUGH HOLE PK-95503-001.
  - 6- MANUFACTURING I.D. CAN BE MXF, MG OR MXI.**
- INSPECTION NUMBERS USED: 1 - 50  
LAST INSPECTION NUMBER: 22

TYPE \ DIM.	POS. 4	POS. 6		POS. 8
	4 CKTS.	4 CKTS.	6 CKTS.	8 CKTS.
A	11.18	13.21	13.21	15.24
B	7.62	10.16	10.16	11.43
D	3.81	3.81	6.35	8.89



SHORT VERSION



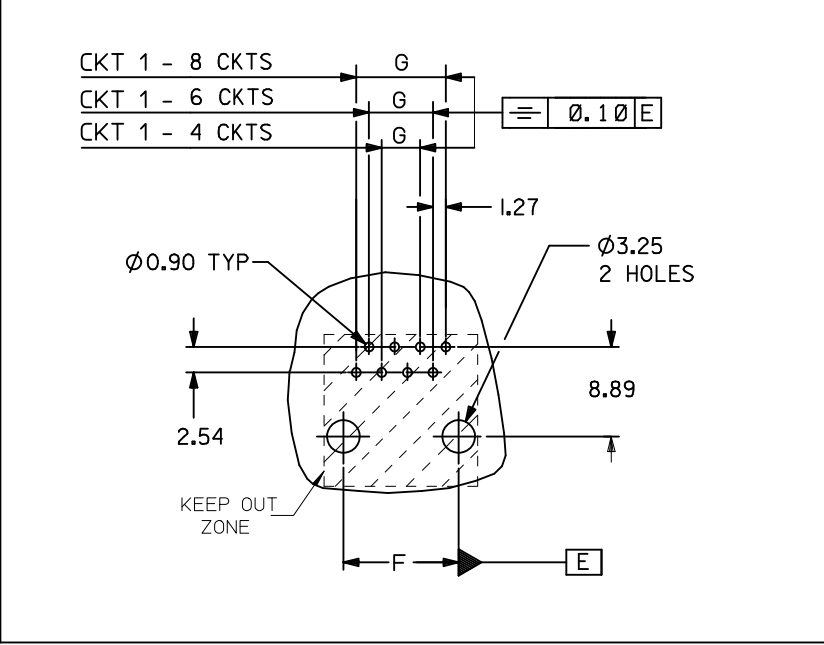
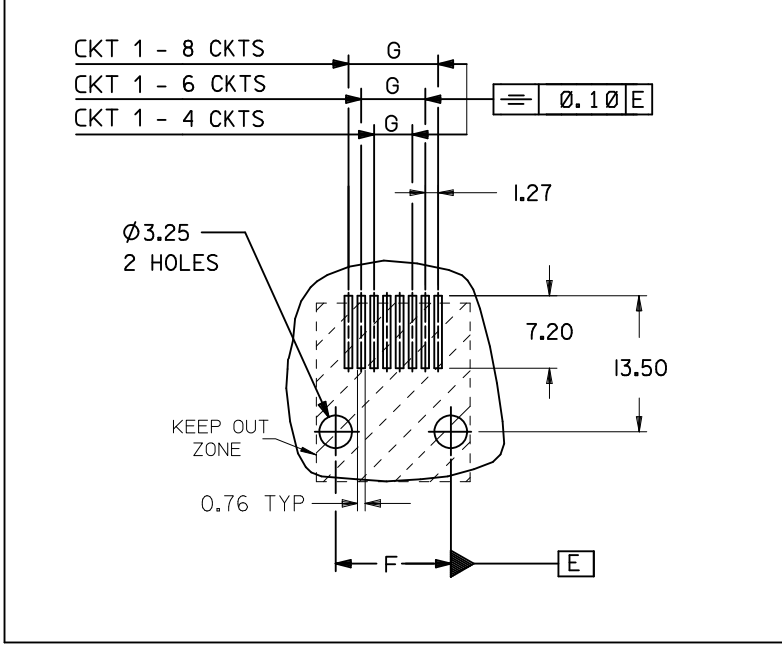
<b>MODIFIED PLATING OPTION</b> EC NO: IPG2012-0589 DRW: DBYRNES 2012/03/29 CHK: D:MSHAHAN 2012/03/30 APPR: EFOLAN 2012/06/28	QUALITY SYMBOLS	GENERAL TOLERANCES (UNLESS SPECIFIED)	DIMENSION STYLE	SCALE	DESIGN UNITS	THIRD ANGLE PROJECTION
	▼ = 0 ◻ = 0	mm    INCH 4 PLACES ± --- ± --- 3 PLACES ± --- ± --- 2 PLACES ± 0.15 ± --- 1 PLACE ± 0.25 ± --- ANGULAR ± .5 °	MM ONLY	5:1	METRIC	
	DESCRIPTION	DRAFT WHERE APPLICABLE MUST REMAIN WITHIN DIMENSIONS	DRAWN BY: TMARTIN    DATE: 2005/06/15 CHECKED BY: FCARABETTA    DATE: 2005/06/15 APPROVED BY: KNOLLER    DATE: 2005/06/15	TITLE: <b>LOW PROFILE TOP ENTRY JACK (THROUGH HOLE VERSION)</b> MOLEX INCORPORATED		
	REV	SIZE: A3	MATERIAL NO. SEE SHT 4,5	DOCUMENT NO. SD-95503-003	SHEET NO. 1 OF 5	

TYPE DIM.	POS. 4	POS. 6		POS. 8
	4 CKTS.	4 CKTS.	6 CKTS.	8 CKTS.
F ±0.05	7.62	10.16	10.16	11.43
G ±0.05	3.81	3.81	6.35	8.89

P.C.B MOUNTING PATTERNS - SEEN FROM COMPONENT SIDE

FOR SMT JACK (SURFACE MOUNT)

FOR STANDARD JACK (THROUGH HOLE)



NOTES:  
ALL DIMENSIONS REF DIMENSIONS

REMOVED INCHES EC NO: E2012-0079 DRWN: JCONNOR 2011/03/04 CHKD: APPR: EFOLAN 2011/09/28	QUALITY SYMBOLS	GENERAL TOLERANCES (UNLESS SPECIFIED)	DIMENSION STYLE	SCALE	DESIGN UNITS	THIRD ANGLE PROJECTION
	▽=0 Ⓢ=0	mm INCH 4 PLACES ± --- ± --- 3 PLACES ± --- ± --- 2 PLACES ± 0.15 ± --- 1 PLACE ± 0.25 ± --- ANGULAR ± .5 °	MM ONLY	1:1	METRIC	
	DRAWN BY: TMARTIN CHECKED BY: FCARABETTA APPROVED BY: KNOLLER	DATE: 2005/06/15 DATE: 2005/06/15 DATE: 2005/06/15	TITLE: LOW PROFILE T/E JACK			
	MATERIAL NO. SEE SHT. 4, 5	DOCUMENT NO. SD-95503-003	MOLEX INCORPORATED			
DRAFT WHERE APPLICABLE MUST REMAIN WITHIN DIMENSIONS	SIZE: A3	THIS DRAWING CONTAINS INFORMATION THAT IS PROPRIETARY TO MOLEX INCORPORATED AND SHOULD NOT BE USED WITHOUT WRITTEN PERMISSION				
						SHEET NO. 3 OF 5

HOUSING SIZE	LOADED CONTACTS
4	4
6	4
6	6
8	8

PART NO FOR JACK ASSEMBLY  
THROUGH HOLE STANDARD VERSION

LCP FIBER GLASS FILLED 94V0 COLOR BLACK					
NO KEY	TOOLED	KEY	TOOLED		TOOLED
NO RIB	TOOLED	NO RIB	TOOLED		TOOLED
95503-2441	X				
95503-2641	X				
95503-2661	X				
95503-2881	X	95503-2882	X		

TRAY PACKAGING  
SEE PACKAGING SPEC PK-95003 SHEET 1

PART NO FOR JACK ASSEMBLY  
THROUGH HOLE SHORT VERSION

LCP FIBER GLASS FILLED 94V0 COLOR BLACK					
NO KEY	TOOLED	KEY	TOOLED		TOOLED
NO RIB	TOOLED	NO RIB	TOOLED		TOOLED
95503-2884	X				

TRAY PACKAGING  
SEE PACKAGING SPEC PK-95003 SHEET 1

TOOLED	X
NOT TOOLED	

NOTES:  
PLATING: SEE SHEET ONE

ADDED PLATING OPTION	DESCRIPTION
EC NO: IPG2012-0589	2012/03/29
DRW:DBYRNES	2012/03/30
CHKD:MSHAHAN	2012/06/28
APPR:EFOLAN	

QUALITY SYMBOLS	DESCRIPTION
	=0
	=0

GENERAL TOLERANCES (UNLESS SPECIFIED)	
mm	INCH
4 PLACES ± ---	± ---
3 PLACES ± ---	± ---
2 PLACES ± ---	± ---
1 PLACE ± ---	± ---
ANGULAR ± ---°	
DRAFT WHERE APPLICABLE MUST REMAIN WITHIN DIMENSIONS	

DIMENSION STYLE	
MM ONLY	
DRAWN BY	DATE
TMARTIN	2005/06/16
CHECKED BY	DATE
FCARABETTA	2005/06/16
APPROVED BY	DATE
KNOLLER	2005/06/16
MATERIAL NO.	
SEE CHART	

SCALE	DESIGN UNITS	THIRD ANGLE PROJECTION
---	METRIC	
TITLE		
LOW PROFILE T/E JACK THROUGH HOLE VERS.		
MOLEX INCORPORATED		
DOCUMENT NO.	SHEET NO.	
SD-95503-003	4 OF 5	
THIS DRAWING CONTAINS INFORMATION THAT IS PROPRIETARY TO MOLEX INCORPORATED AND SHOULD NOT BE USED WITHOUT WRITTEN PERMISSION		